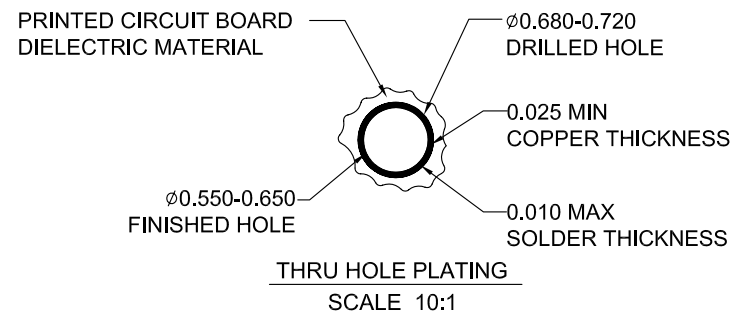


NOTES:

1. ALL DIMENSIONS ARE IN mm.
2. MATERIAL:
HOUSING: THERMOPLASTIC(94V-0) COLOR: GRAY
CONTACT: COPPER ALLOY
3. FINISH:
CONTACT SURFACE: GOLD PLATING;
PRESSING END: MATTE TIN PLATING.
4. ENGAGING AND SEPARATING FORCES PER IEC 61076-4-101.
5. ROHS DIRECTIVE COMPLIANCE.
6. MAX SOLDERING TEMPERATURE 225 °C.
7. PERFORMANCE CHARACTERISTICS
INSULATION RESISTANCE: 10,000 MEGOHMS MINIMUM
DIELECTRIC WITHSTANDING VOLTAGE (AT SEA LEVEL): 750 Vrms
CURRENT RATING: 1 AMP AT 70 °C, FULLY LOADED
1.5 AMP AT 20 °C, FULLY LOADED
OPERATING TEMPERATURE RANGE: -55 °C TO +125 °C
CONTACT RESISTANCE: 20 MILLIOHMS MAXIMUM



DESIGN UNITS ■ mm □ INCH		NAME: 2MM 180° SOCKET E TYPE WITH SHIELD		All connectors	
GENERAL TOLERANCES: (UNLESS SPECIFIED)		PART NO: NX7E0AB01A2AF		TITLE: CUSTOMER DWG C	
		APPD: 蘇侯安 8/22'06		DWG. NO: C-NX7E0AB01A2AF	
		CHKD: 楊海文 8/22'06		SCALE: SHEET: REV.:	
		DRAWN: 蔡友華 8/22'06		1/1 1/1 X1	
4 PLACE	±**	±.**			
3 PLACE	±**	±.**			
2 PLACE	±0.20	±.**			
1 PLACE	±0.30	±.**			
ANGULAR:	X°±**	X°±**			

X1		Release	8/22'06	蔡友華	蘇侯安
REV.	ECN. NO.	DESCRIPTION	DATE	DRAWN	APPD