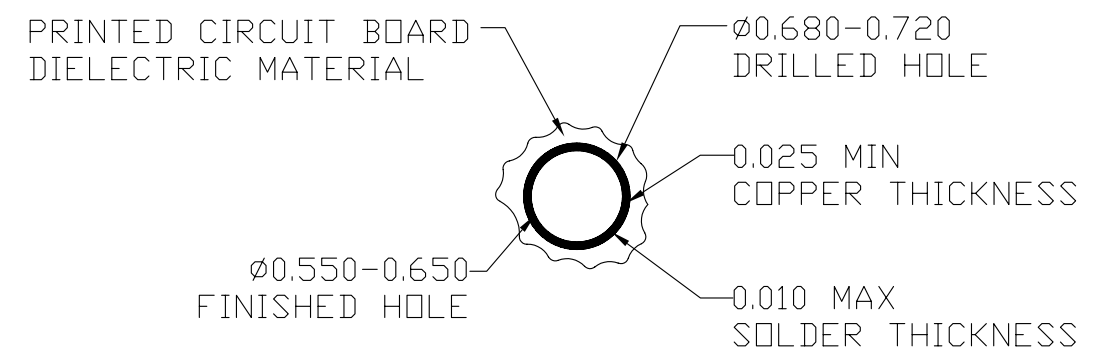


NOTES:  
 1.ALL DIMENSION ARE IN mm.  
 2.MATERIAL:  
 HOUSING:THERMOPLASTIC(94V-0) COLOR: GRAY  
 CONTACT:COPPER ALLOY  
 3.FINISH:  
 CONTACT SURFACE: GOLD PLATING;  
 PRESSING END: MATTE TIN PLATING.  
 4.ENGAGING AND SEPARATING FORCES PER IEC 61076-4-101.  
 5.ROHS DIRECTIVE COMPLIANCE.  
 6.MAX SOLDERING TEMPERATURE 225°C.  
 7.PERFORMANCE CHARACTERISTICS  
 INSULATION RESISTANCE:10,000 MEGOHMS MINIMUN  
 DIELECTRIC WITHSTANDING VOLTAGE(AT SEA LEVEL):750 Vrms  
 CURRENT RATING:1 AMP AT 70°C,FULLY LOADED  
 1.5 AMP AT 20°C,FULLY LOADED  
 OPERATING TEMPERATURE RANGE:-55°C TO +125°C  
 CONTACT RESISTANCE: 20 MILLIDHMS MAXIMUN



THRU HOLE PLATING  
 SCALE 10:1

X1	Release	10/12'06	蔡友華	蘇侯安
REV.	ECN. NO.	DESCRIPTION	DATE	DRAWN APPD

DESIGN UNITS <input checked="" type="checkbox"/> mm <input type="checkbox"/> INCH	NAME: 2MM 90° SOCKET DE TYPE NO SHIELD	All connectors	
GENERAL TOLERANCES: (UNLESS SPECIFIED)	PART NO: NX8DEA800A0AF	TITLE: CUSTOMER DWG	C
4 PLACE ±.** ±.**	APPD: 蘇侯安 10/12'06	DWG. NO: C-NX8DEA800A0AF	
3 PLACE ±.** ±.**	CHKD: 楊海文 10/12'06	SCALE: 1/1	SHEET: 1/1
2 PLACE ±0.20 ±.**	DRAWN: 蔡友華 10/12'06	REV.: X1	
1 PLACE ±0.30 ±.**			
ANGULAR: X°±.** X°±.**			