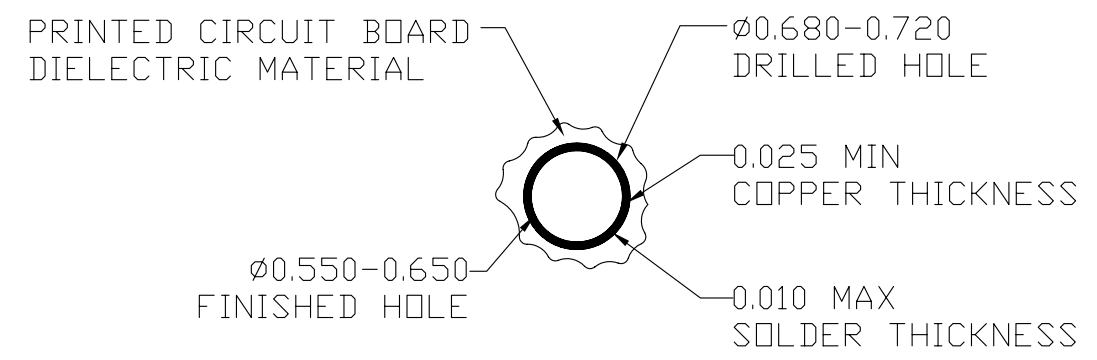


NOTES:  
 1.ALL DIMENSION ARE IN mm.  
 2.MATERIAL:  
 HOUSING:THERMOPLASTIC(94V-0) COLOR: GRAY  
 CONTACT:COPPER ALLOY  
 3.FINISH:  
 CONTACT SURFACE: GOLD PLATING;  
 PRESSING END: MATTE TIN PLATING.  
 4.ENGAGING AND SEPARATING FORCES PER IEC 61076-4-101.  
 5.ROHS DIRECTIVE COMPLIANCE.  
 6.MAX SOLDERING TEMPERATURE 225°C.  
 7.PERFORMANCE CHARACTERISTICS  
 INSULATION RESISTANCE:10,000 MEGOHMS MINIMUN  
 DIELECTRIC WITHSTANDING VOLTAGE(AT SEA LEVEL):750 Vrms  
 CURRENT RATING:1 AMP AT 70°C,FULLY LOADED  
 1.5 AMP AT 20°C,FULLY LOADED  
 OPERATING TEMPERATURE RANGE:-55°C TO +125°C  
 CONTACT RESISTANCE: 20 MILLIOHMS MAXIMUN



THRU HOLE PLATING  
 SCALE 10:1

PCB LAYOUT

DESIGN UNITS <input checked="" type="checkbox"/> mm <input type="checkbox"/> INCH		NAME: 2MM 90° SOCKET D TYPE WITH SHIELD NO PEGS		All connectors	
GENERAL TOLERANCES: (UNLESS SPECIFIED)		PART NO: NX8D0A800A1AF		TITLE: CUSTOMER DWG C	
4 PLACE	±.**	±.**	APPD: 蘇侯安 10/12'06	DWG. NO: C-NX8D0A800A1AF	
3 PLACE	±.**	±.**	CHKD: 楊海文 10/12'06	SCALE: 1/1 SHEET: 1/1 REV.: X1	
2 PLACE	±0.20	±.**	DRAWN: 蔡友華 10/12'06		
1 PLACE	±0.30	±.**			
ANGULAR:	X°±.**	X°±.**			

X1	Release	10/12'06	蔡友華	蘇侯安
REV.	ECN. NO.	DESCRIPTION	DATE	DRAWN APPD