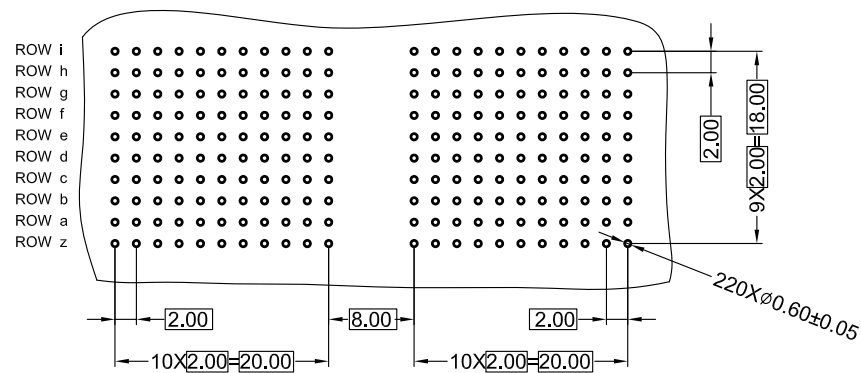
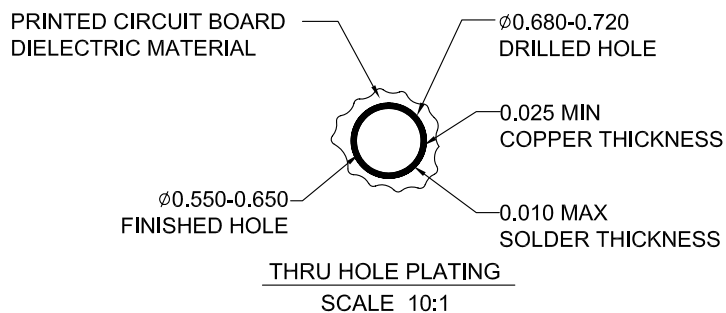
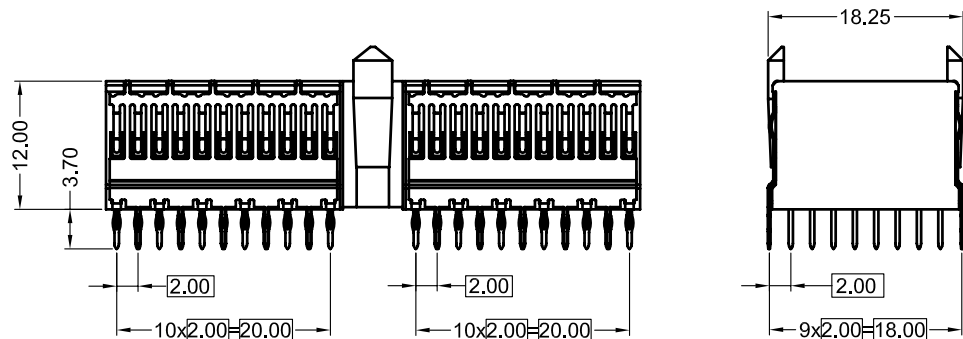
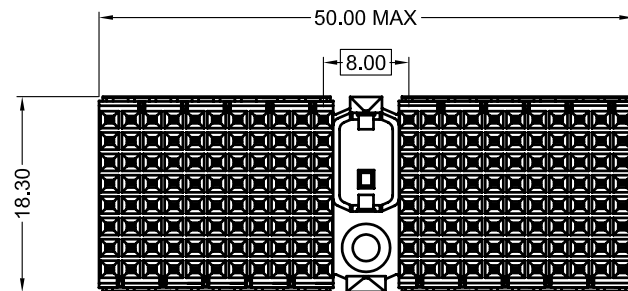


NOTES:

1. ALL DIMENSION ARE IN mm.
2. MATERIAL:
HOUSING: THERMOPLASTIC(94V-0) COLOR: GRAY
CONTACT: COPPER ALLOY
3. FINISH:
CONTACT SURFACE: GOLD PLATING;
PRESSING END: MATTE TIN PLATING.
4. ENGAGING AND SEPARATING FORCES PER IEC 61076-4-101.
5. ROHS DIRECTIVE COMPLIANCE.
6. MAX SOLDERING TEMPERATURE 225 °C.
7. PERFORMANCE CHARACTERISTICS
INSULATION RESISTANCE: 10,000 MEGOHMS MINIMUM
DIELECTRIC WITHSTANDING VOLTAGE (AT SEA LEVEL): 750 Vrms
CURRENT RATING: 1 AMP AT 70 °C, FULLY LOADED
1.5 AMP AT 20 °C, FULLY LOADED
OPERATING TEMPERATURE RANGE: -55 °C TO +125 °C
CONTACT RESISTANCE: 20 MILLIOHMS MAXIMUM



PCB LAYOUT

DESIGN UNITS ■ mm □ INCH		NAME: 2MM 180° SOCKET D TYPE WITH SHIELD	All connectors	
GENERAL TOLERANCES: (UNLESS SPECIFIED)		PART NO: NX7D0AB01A2AF	TITLE: CUSTOMER DWG	C
4 PLACE	±**	±.**	APPD: 蘇侯安 8/22'06	DWG. NO: C-NX7D0AB01A2AF
3 PLACE	±**	±.**	CHKD: 楊海文 8/22'06	SCALE: SHEET: REV.: 1/1 1/1 X1
2 PLACE	±0.20	±.**	DRAWN: 蔡友華 8/22'06	
1 PLACE	±0.30	±.**		
ANGULAR:	X°±**	X°±**		

X1		Release	8/22'06	蔡友華	蘇侯安
REV.	ECN. NO.	DESCRIPTION	DATE	DRAWN	APPD