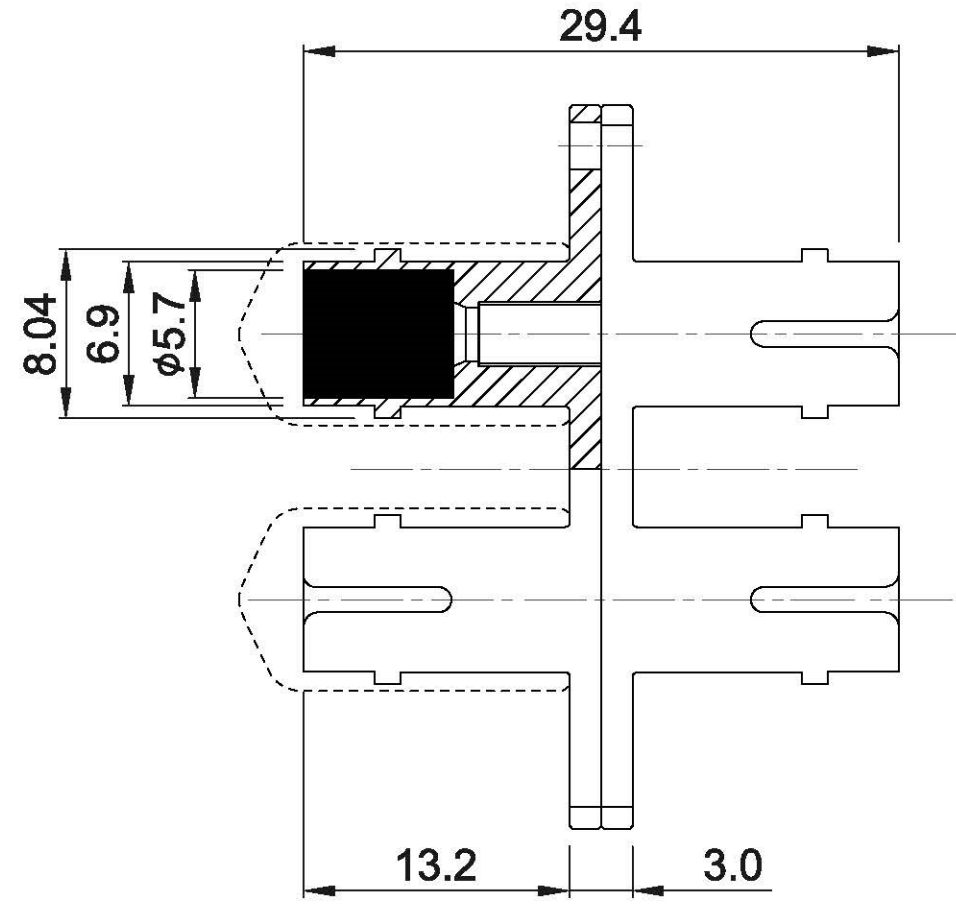
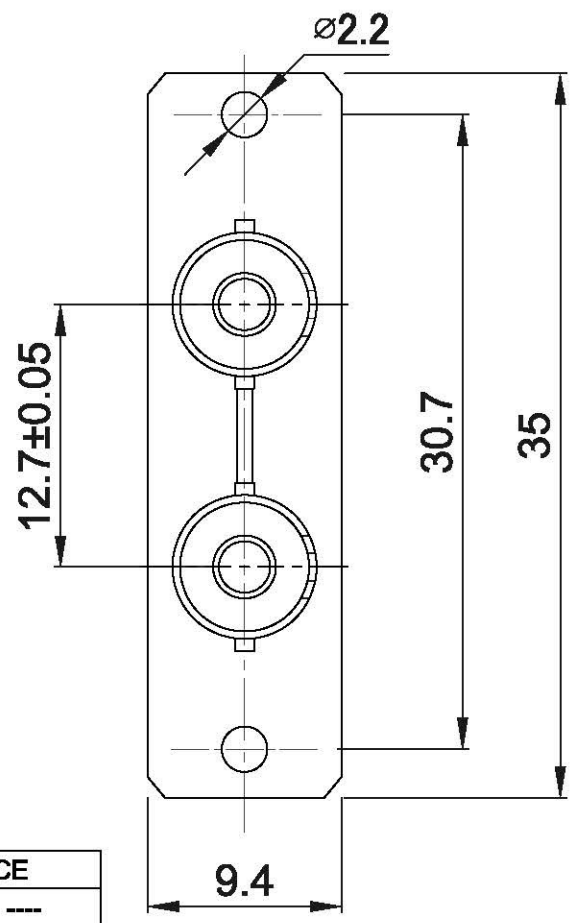


1 ROHS Compliant

7	DATE	2012/11/07
	Revision	A



TOLERANCE	
.XXXX	---
.XXX	0.10
.XX	0.25
.X	0.38

MATERIAL	
ADAPTER BODY	ENGINEERING PLASTIC(PBT) , COLOR BLUE FOR SM , COLOR BEIGE FOR MM
SLEEVE	JAPAN NICKEL SLEEVE FOR SM & MM
DUST CAP	POLYVINYL(PVC) , COLOR RED FOR SM , COLOR BLACK FOR MM

P/NO. SY-STxx-DA	
ITEM. FIBER OPTIC	CO. SY
DR. Wakka 2012/11/07	S/N. SY-STxx-DA
APPD. CHKD.	
FILE. SY-STxx-DA	
www.allconnectors.de info@allconnectors.de Tel.: 0049 711 7009503 Fax: 0049 711 7009504 70794 Filderstadt - Germany Kettenerstr. 25	
SCALE /	
UNIT mm	SIZE A4

REV.	DESCRIPTION	ENG.	APPROVAL
1	2	3	4