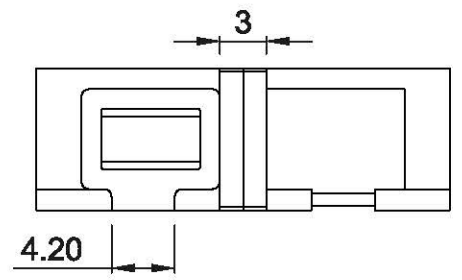
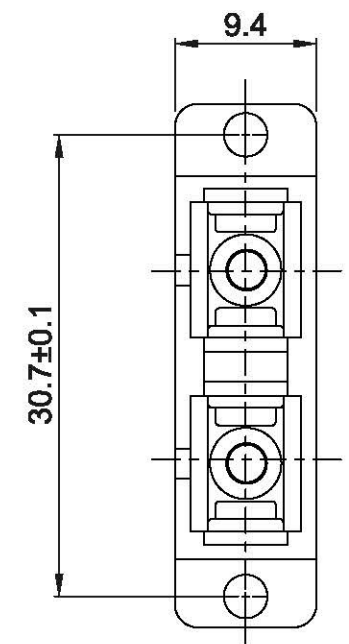
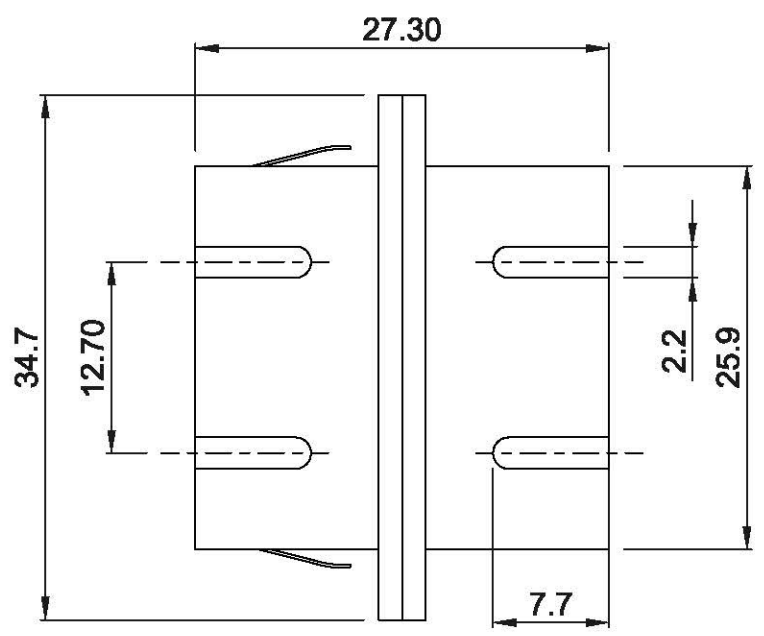


1
ROHS Compliant

7	
DATE	2012/11/14
Revision	A



TOLERANCE	
.XXXX	---
.XXX	0.10
.XX	0.25
.X	0.38

MATERIAL	
ADAPTER BODY	ENGINEERING PLASTIC(PBT) , COLOR BLUE FOR SM , COLOR BEIGE FOR MM
SLEEVE	JAPAN NICKEL SLEEVE FOR SM & MM
SC Adaptor Cap	ABS

P/NO. SY-SCxx-DA	
ITEM. FIBER OPTIC	CO. SY
DR. Wakka 2012/11/14	S/N. SY-SCxx-DA
APPD. CHKD.	
FILE. SY-SCxx-DA	
www.allconnectors.de Tel.: 0049 711 7009503 70794 Filderstadt - Germany	
info@allconnectors.de Fax: 0049 711 7009504 Kettnerstr. 25	
SCALE /	
UNIT mm	SIZE A4

REV.	DESCRIPTION	ENG.	APPROVAL
1			