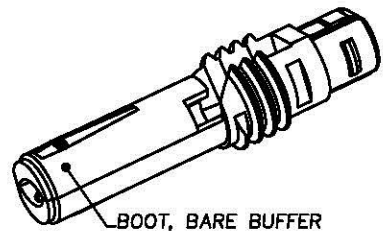
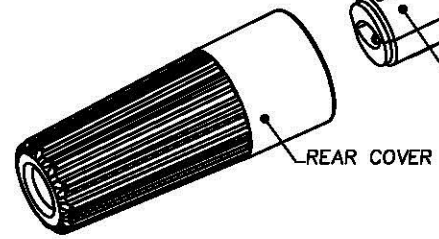
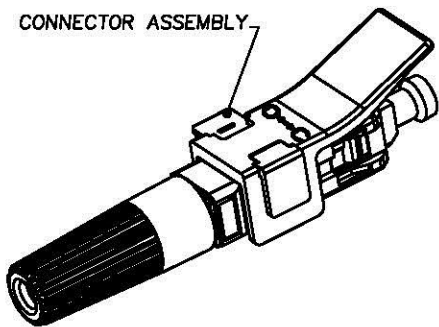
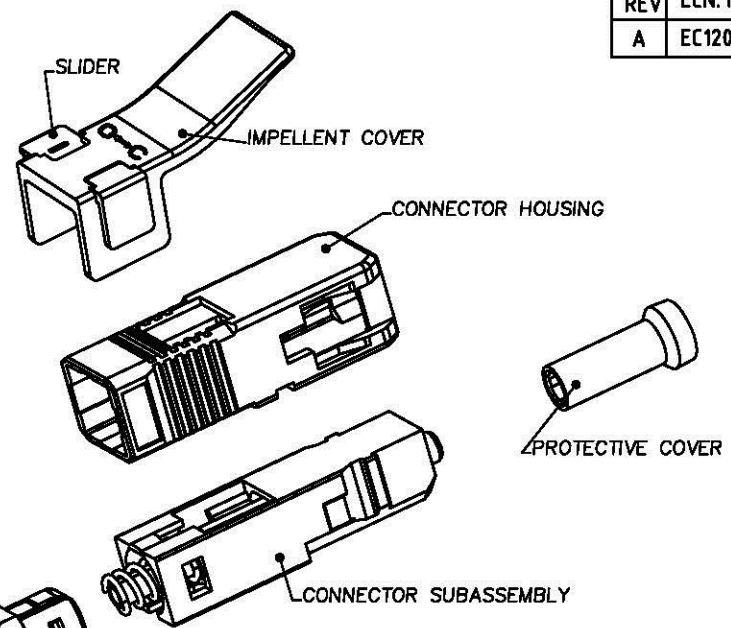
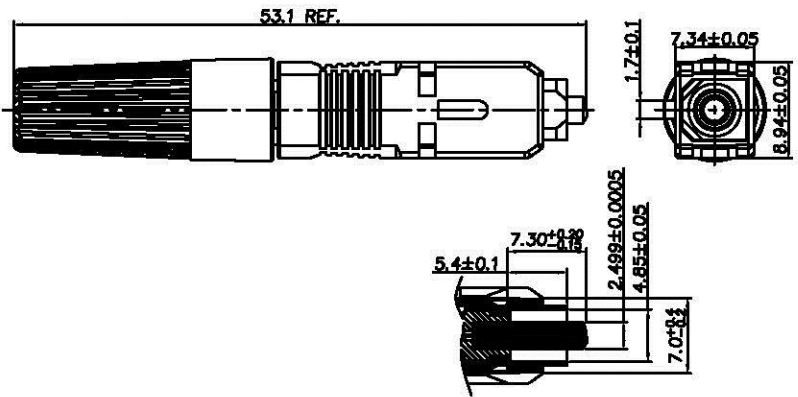


REV	ECN. NO.	APPD.
A	EC12001	IVAN LIAO



MATERIAL:
CONNECTOR HOUSING: PBT, COLOR GREEN;
CONNECTOR SUBASSEMBLY:
PLUG BODY: PEI, COLOR: TRANSPARENT BROWN
SPRING: STAINLESS STEEL;
PROTECTIVE BODY: PBT, COLOR: WHITE
BOOT: POM, COLOR: BLACK
REAR COVER: PBT, COLOR: WHITE
IMPELLENT COVER: PP, COLOR: WHITE
SLIDER: PC, COLOR: BLUE
PROTECTIVE COVER: PP, COLOR: TRANSPARENT WHITE
PRODUCT NO.:

FMC-SC/APC-01-002

FERRULE TYPE
APC: APC TYPE

X.±	XX± 0.38	XXX± 0.25	NAME<INTENDED USE>: SC type field-mountable optical fiber Connectors	
X.*± 2*	X.*± 1*	XX*±	PART NO.<INTENDED USE>: FMC-SC/APC-01*	TITLE: CUSTOMER DRAWING
UNITS: mm	DATE: 2012-10-10		APPD: IVAN LIAO	DWG NO.: 010-3002-FB01
MAT'L			CHKD: GUOCHAO YAN	SCALE SHEET REV N/A 1/1 AX1
			DR: JESSIE PENG	