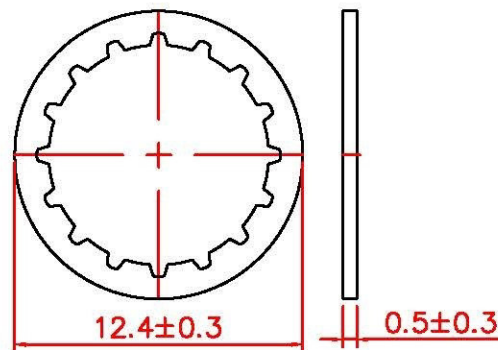
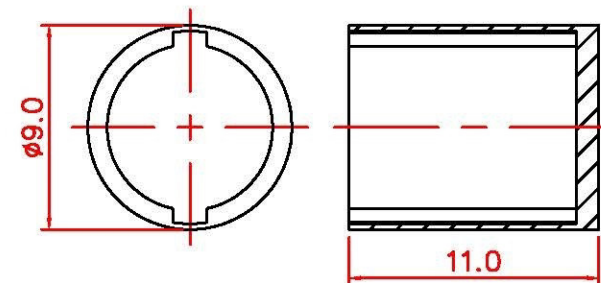


HEX NUT



LOCK WASHER



DUST COVER

MATERIAL & FINISH

BODY : ZINC ALLOY / NICKEL PLATED

WASHER : STEEL / NICKEL PLATED

NUT : BRASS / NICKEL PLATED

Note:
Tolerances:
X. ±0.5
X.X ±0.3
X.XX ±0.2

Title					ST ADAPTOR M.M. PHOSPHOR BRONE SPLIT SLEEVE				
P/N		ST-469			Checked By		Drawn By		Approved By
D/N		ST-469,R			柯 93,02,23 宏融		趙 93,02,23 龍鴻		白 93,02,23 添發
SCALE		2:1	REV	2	UNIT		MM		

Revised dimensions and description