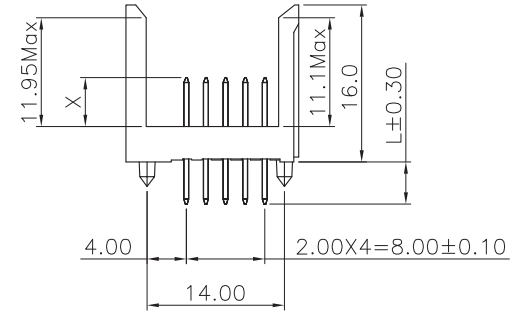
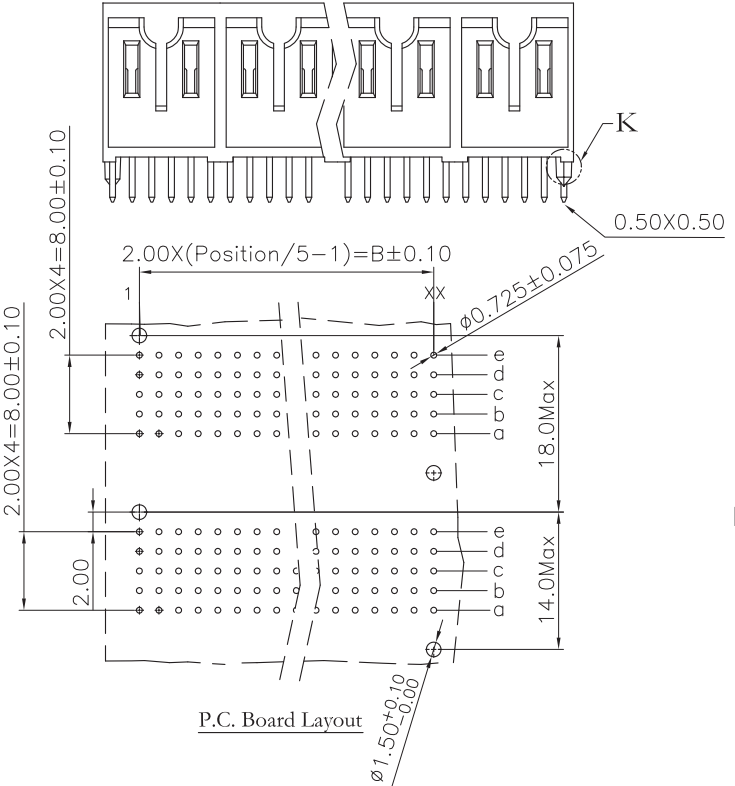
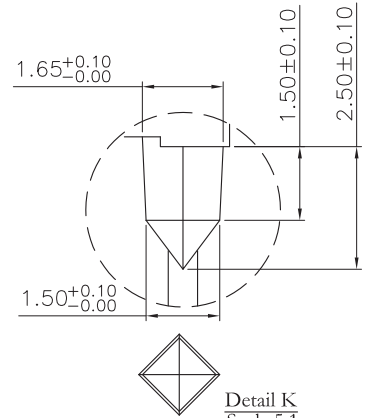


Material:
Housing: High Temperature Plastic UL94V-0
Contacts: Brass.
Electrical Characteristics:
 Current Rating: 1 AMP.
 Dielectric Withstanding Voltage: AC 1000V For 1 minute.
 Insulator Resistance: 1000MΩ min. at DC 500V.
 Contact Resistance: 30mΩ max. at DC 100mA.
 Operating Temperature: -65°C ~ +125°C .

***RoHS Compliant**



FUB- PDx yyy-5Xxx- LF
 LEADFREE
 DIP CONTACT
 04:4.3mm 50:5.00mm 5X06~5X78WAY
 13:13.6mm 57:5.75mm (30) ~ (390)
 17:17.0mm 65:6.50mm
 72:7.25mm
 80:8.00mm

Position (n)	Dimension		P/N.	L	X
	A	B			
30	11.95	10.0	FUB-PD0450-5Xxx	4.3	5.00
60	23.95	22.0	FUB-PD0457-5Xxx		5.75
90	35.95	34.0	FUB-PD0465-5Xxx		6.50
120	47.95	46.0	FUB-PD0472-5Xxx	8.00	7.25
150	59.95	58.0	FUB-PD0480-5Xxx		8.00
180	71.95	70.0	FUB-PD1350-5Xxx		5.00
210	83.95	82.0	FUB-PD1357-5Xxx	13.6	5.75
240	95.95	94.0	FUB-PD1365-5Xxx		6.50
270	107.95	106.0	FUB-PD1372-5Xxx		7.25
300	119.95	118.0	FUB-PD1380-5Xxx	8.00	8.00
330	131.95	130.0	FUB-PD1750-5Xxx		5.00
360	143.95	142.0	FUB-PD1757-5Xxx		5.75
390	155.95	154.0	FUB-PD1772-5Xxx	17.0	7.25
			FUB-PD1780-5Xxx		8.00

RoHS Compliant

Allconnectors
 www.allconnectors.eu | info@allconnectors.eu
 Tel. +49 (0)711 / 358 110 20 | Fax +49 (0)711 / 358 110 25

PART NO. FUB-PDxxx y-5Xxx

DWG NO. FUB-PDxxx y-5Xxx

FILE NO.

UNIT / mm

SCALE 1:1

CHECKED BY CY

DRAWING BY

PROJECTION

TOLERANCES ARE

.X ± 0.2
 .XX ±
 .XXX ±
 AWG

DESCRIPTION:

AREA

REVISIONS

HK

DATE