

1 2 3 4 5 6 7 8 9 0

J

I

H

G

F

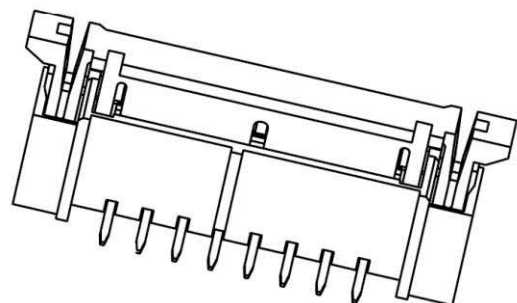
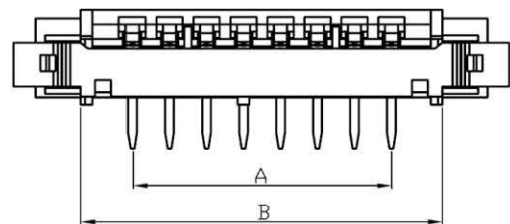
E

D

C

B

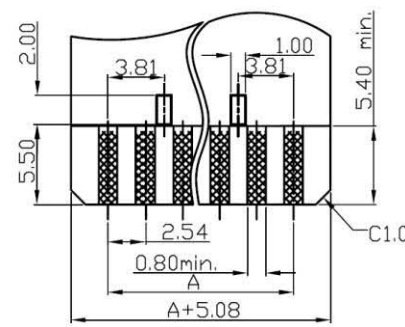
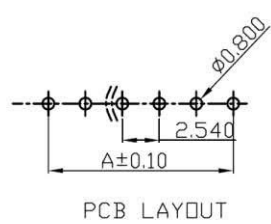
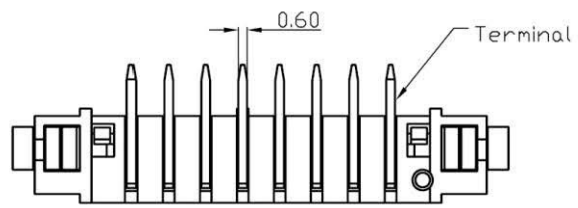
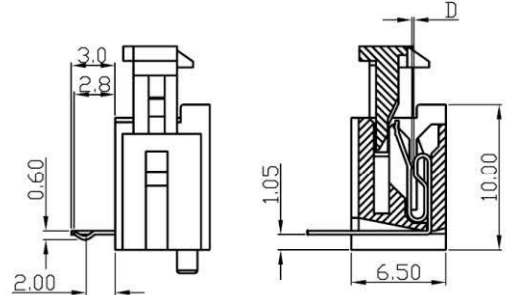
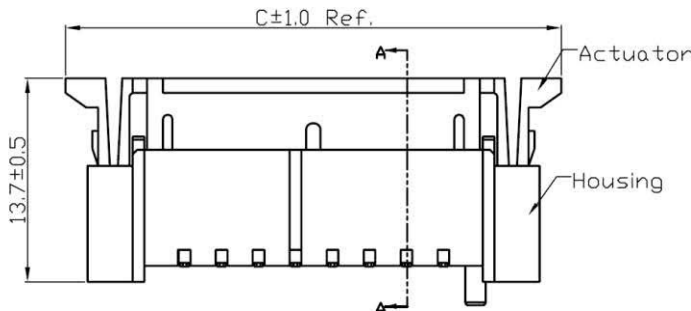
A



Note:

1. Material: Iserlater: PBT UL94V-0 Color: Black  
Metal: Pre-tinned Phosphoer bronze
2. Make kinks on the first and end terminal.
3. UL approved, UL no. is E82349. RoHS compliant.
3. When the locking mechanism is in the open position dimension D is 0.20~0.30
4. When the locking mechanism is in the closed position dimension D is 0.000

20	48.26	55.26	64.44
19	45.72	52.72	61.92
18	43.18	50.18	59.38
17	40.64	47.64	56.84
16	38.10	45.10	54.30
15	35.56	42.56	51.76
14	33.02	40.02	49.22
13	30.48	37.48	46.68
12	27.94	34.94	44.14
11	25.40	32.40	41.60
10	22.86	29.86	39.06
9	20.32	27.32	36.52
8	17.78	24.78	33.98
CIRCUITS	DIM.A	DIM.B	DIM.C



FPC-RZA-xx-LF  
LEADFREE

**Allconnectors**  
www.allconnectors.de  
Tel.: 0049 711 7005503  
70754 Filderstadt - Germany

info@allconnectors.de  
Fax: 0049 711 7005504  
Kettlerstr. 25

PART NO. FPC-RZA-xx		RoHS Compliant		DESCRIP TION:									
DWG NO. FPC-RZA-xx		CHECKED BY CY						TOLERANCES ARE					
FILE NO.		DRAWING BY		.X ± 0.2		AREA		REVISIONS		HK		DATE	
UNIT / mm	SCALE 1:1	PROJECTION		.XX ±									
				.XXX ±									
				AWG									