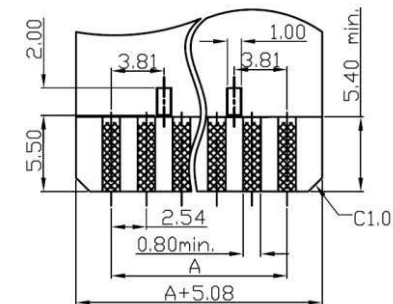


Note:

1. Material: Iserlater: PBT UL94V-0 Color: Black
Metal: Pre-tinned Phosphoer bronze
2. Make kinks on the first and end terminal.
3. UL approved, UL no. is E82349. RoHS compliant.
4. When the locking mechanism is in the open position dimension D is 0.20-0.30 mm

20	48.26	55.26	64.44
19	45.72	52.72	61.92
18	43.18	50.18	59.38
17	40.64	47.64	56.84
16	38.10	45.10	54.30
15	35.56	42.56	51.76
14	33.02	40.02	49.22
13	30.48	37.48	46.68
12	27.94	34.94	44.14
11	25.40	32.40	41.60
10	22.86	29.86	39.06
9	20.32	27.32	36.52
8	17.78	24.78	33.98
CIRCUITS	DIM.A	DIM.B	DIM.C



FPC=0.10~0.20mm

FPC-DZAP-xx-LF
LEADFREE

RoHS Compliant

Allconnectors

www.allconnectors.de info@allconnectors.de
tel.: 0049 711 403603 fax: 0049 711 403604
70794 Filzschluff, Germany Kollernstr. 25

PART NO. FPC-DZAP-xx

DWG NO. FPC-DZAP-xx

FILE NO.

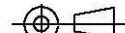
UNIT / mm

SCALE 1:1

CHECKED BY CY

DRAWING BY

PROJECTION



TOLERANCES ARE

.X ± 0.2
.XX ±
.XXX ±
AWG

DESCRIP TION:

AREA

REVISIONS

HK

DATE