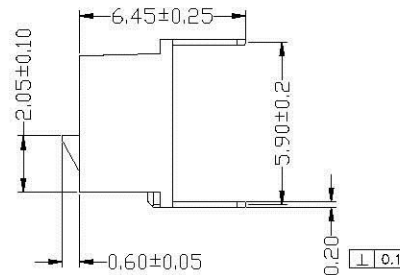
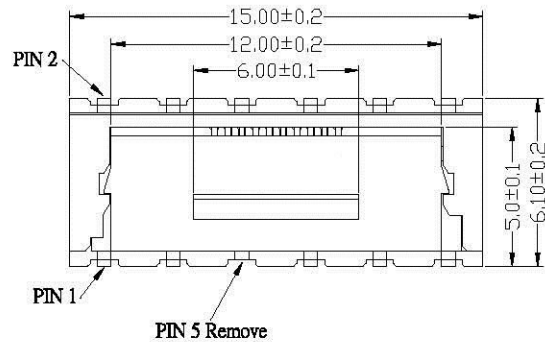
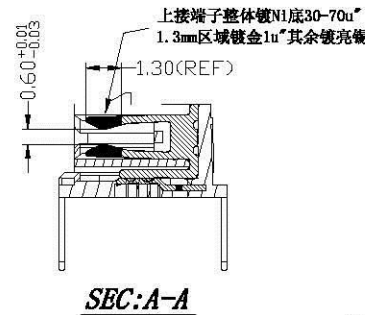
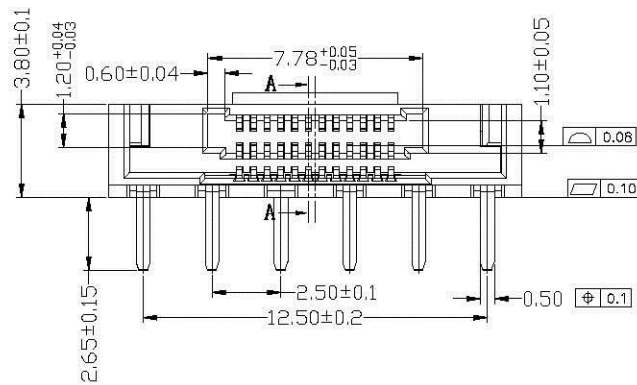


REV.	ECN.NO.	MODIFY.CONTENT	DATE
A	/		/



备注:

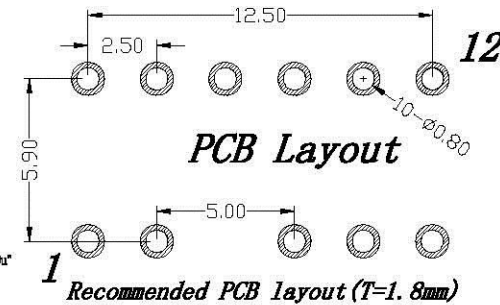
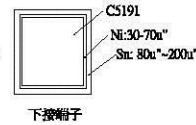
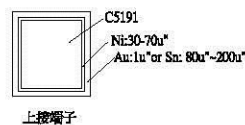
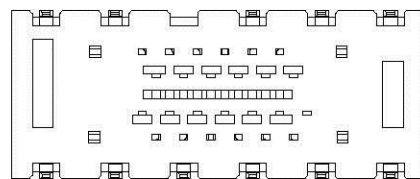
上接绝缘材料: LCP UL94V-0 黑色
 下接绝缘材料: LCP UL94V-0 本色
 导体端子材料: 磷铜 C5191 H T=0.2mm
 上接端子电镀: 依料号说明
 下接端子电镀: 镀镍底30-70u" 表面镀锡80-200u"
 额定电流: 0.4A AC/DC
 额定电压: 100V AC(RMS) Max
 工作温度: -25℃~+85℃
 接触阻抗: 30mΩ Max
 绝缘阻抗: 100MΩ
 耐电压 : 500V AC/1分钟



料号说明:

B5250F12H*01

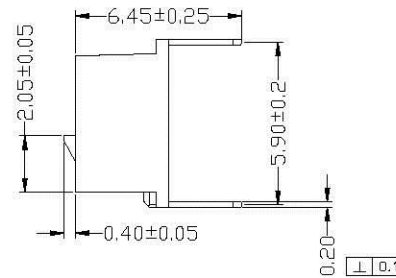
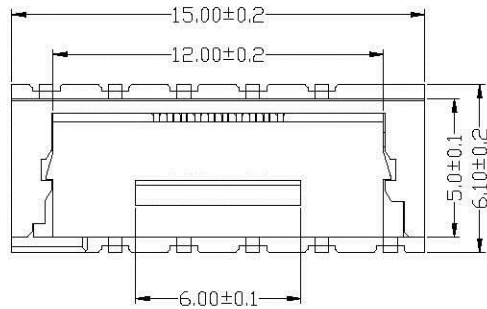
T: 镀镍底30-70u" 表面镀锡80-200u"
 U: 镀镍底30-70u" 上接端子表面1.3mm
 区域镀金1u"其余镀亮锡



Tolerances Unless Otherwise spec±0.05))

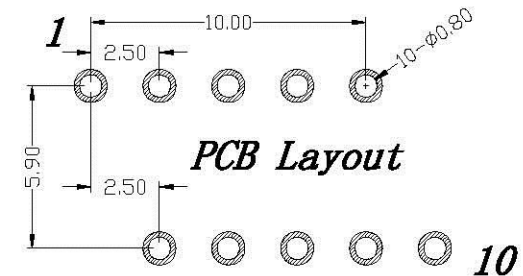
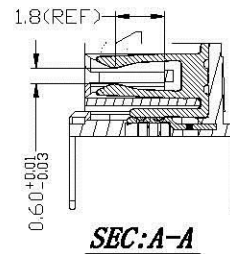
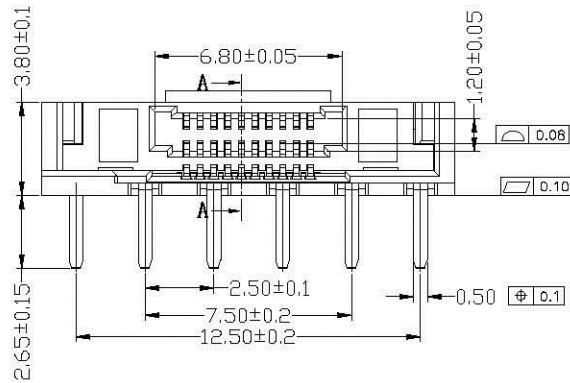
GENERAL TOLERANCE		DRAWN	10.19-12	SCALE	PART NO.	B5250F12H*01
X.	±0.30	x. ± 1*	CHECKED	1/1	TITLE	0.5转2.5Pitch FPC
X.X	±0.25	.x ±0.1*	APPROVED		UNITS	MM
X.XX	±0.20		File NO.	B52502S		
X.XXX	±0.10		REV.			
SHEET	1/1	Q'TY	1	A	 <small>www.aiconnectors.com</small> <small>TEL: 0086 25 2005005</small> <small>MOBILE: 138 1281 2211</small> <small>EMAIL: aic@aitconnectors.com</small>	

REV.	ECN.NO.	MODIFY.CONTENT	DATE
A	/		/



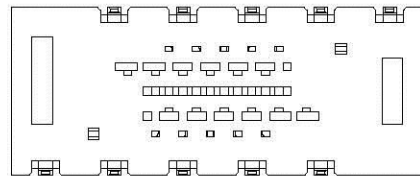
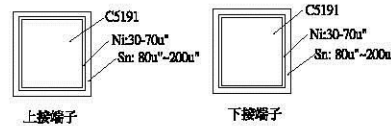
NOTES:

Insulator: LCP;UL94V-0
Terminal: Phosphor Bronze
Terminal Plating: Tin Plated 80u" min
over 30~70u" min nickel overall
Current Rating: 0.4A AC, DC
Voltage Rating: 100V AC(RMS) Max
Temperature Range: -25°C ~ +85°C
Contact Resistance: 30 mΩ Max
Insulation Resistance: 100MΩ Min
Withstanding Voltage: 500V AC/minute



PCB Layout
Recommended PCB layout (T=1.8mm)

Tolerances Unless Otherwise spec ±0.05)



GENERAL TOLERANCE		DRAWN	zhaofan	2012.08.24	SCALE	PART NO.	B5250F10HT01	
X.	±0.30	x. ± 1°	CHECKED	qiang	2012.08.24	1/1	TITLE	0.5转2.5Pitch FPC
X.X	±0.25	.x ±0.1°	APPROVED	yewen.xie	2012.08.24	UNITS	MM	成品SPEC图
X.XX	±0.20		File NO.	B525001S				
X.XXX	±0.10		REV.			<small>www.allconnectors.com Tel: 0049 744 7009200 2012.08.24</small>		
SHEET	1/1	Q'TY	1	A	<small>www.allconnectors.com Tel: 0049 744 7009200 2012.08.24</small>			