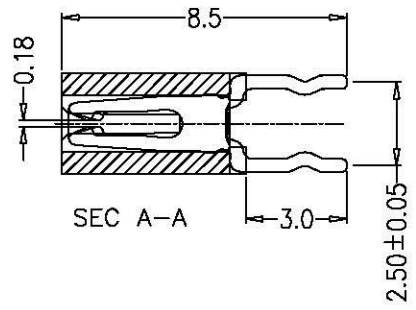
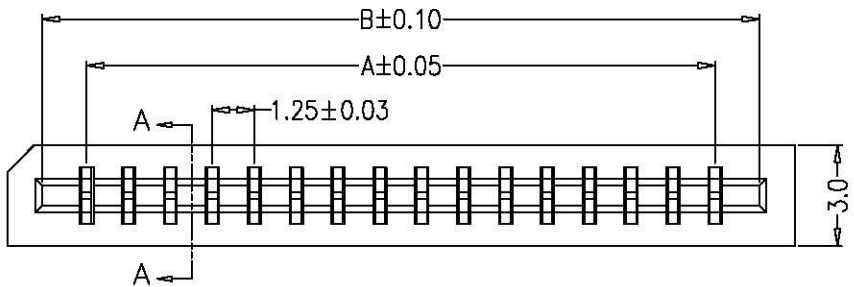
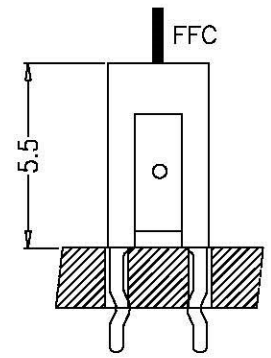


REV.	DATE	ECN NO.	MODIFICATION	APPROVER
A	2011/04/01	/	NEW	Vicky

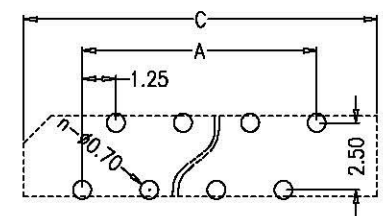


- SPECIFICATIONS**
- poles: 4~40
 - Voltage rating: AC,DC,50V(200HZ)
 - Current rating: 0.5A,AC,DC
 - Withstand voltage: 500V AC/minute
 - Working Temperature: -25℃~+85℃
 - Insulation resistance: ≥800MΩ
 - Contact resistance: ≤20mΩ
 - dual Contact

TERMINAL:
Material: Phosphor Bronze
HOUSING:
Material: nylon, UL94V-0

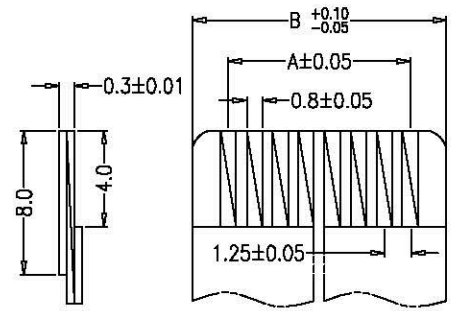
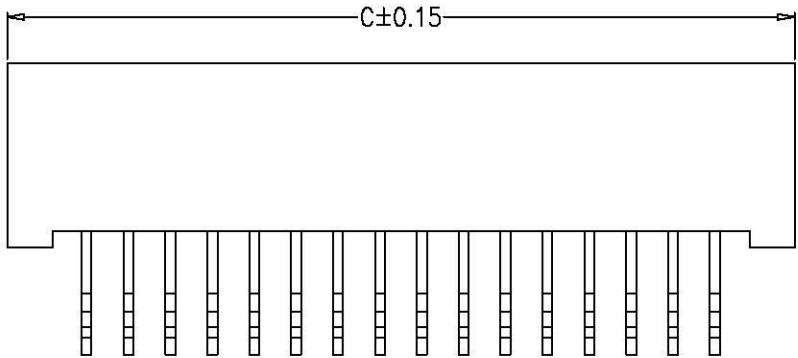


安装示意图



Positive needle PCB layout

PIN NO.	A	B	C
4	3.75	6.40	8.50
5	5.00	7.65	9.75
6	6.25	8.90	11.00
7	7.50	10.15	12.25
8	8.75	11.40	13.50
9	10.00	12.65	14.75
10	11.25	13.90	16.00
11	12.50	15.15	17.25
12	13.75	16.40	18.50
13	15.00	17.65	19.75
14	16.25	18.90	21.00
15	17.50	20.15	22.25
16	18.75	21.40	23.50
17	20.00	22.65	24.75
18	21.25	23.90	26.00
19	22.50	25.15	27.25
20	23.75	26.40	28.50
21	25.00	27.65	29.75
22	26.25	28.90	31.00
23	27.50	30.15	32.25
24	28.75	31.40	33.50
25	30.00	32.65	34.75
26	31.25	33.90	36.00
27	32.50	35.15	37.25
28	33.75	36.40	38.50
29	35.00	37.65	39.75
30	36.25	38.90	41.00
31	37.50	40.15	42.25
32	38.75	41.40	43.50
33	40.00	42.65	44.75
34	41.25	43.90	46.00
35	42.50	45.15	47.25
36	43.75	46.40	48.50
37	45.00	47.65	49.75
38	46.25	48.90	51.00
39	47.50	50.15	52.25
40	48.75	51.40	53.50



Proper cable

GENERAL TOLERANCE			UNITS	NAME:	All connectors		
SELECT	✓		mm	PFC	TEL: 0086 21 39052111 FAX: 0086 21 39052112		
ON.	TOL.	1	2	3	PART NO:	TITLE: FPC1.25mm XP DIP 180° 双接无锁 正脚位	
X.XXX			±0.05	±0.15	FPC125**--27***	DWG NO. ATOM-A00726	
X.XX	±0.08	±0.13	±0.25		APPD:	Vicky	
X.X	±0.15	±0.25	±0.50		CHKD:	Ivy	
X.	±0.20	±0.38	±1.00		DR:	Iris	
ANGLE	±2°						
			SCALE	SHEET	REV		
			1:1	1/1	A		