

## .049"(1.25mm) ZIF FPC/FFC Side Entry Dip Type

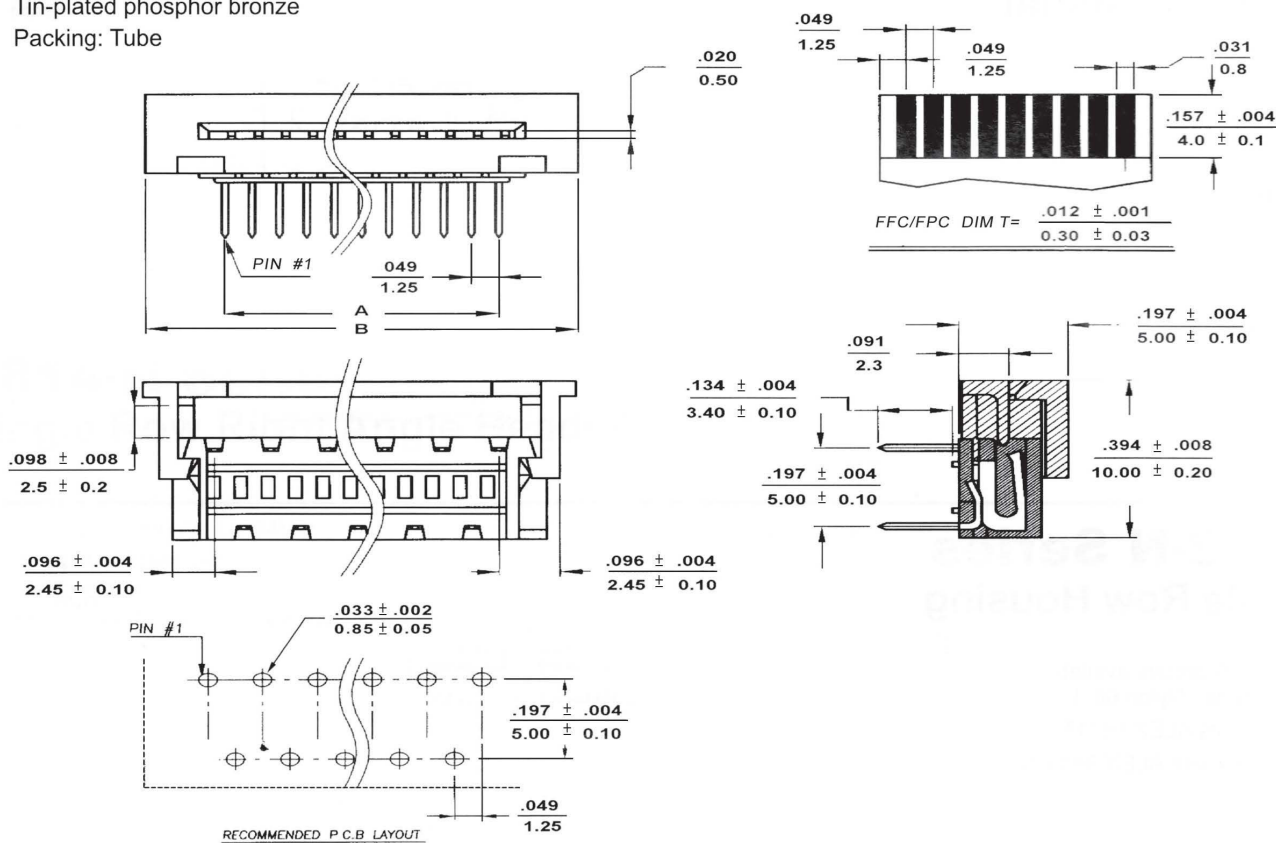
### Specifications:

- Current rating: 1A Max.
- Contact resistance: 20 mΩ Max. at DC 100mA
- Insulation resistance: 5000MΩ Min. at DC 500V
- Temperature range: - 55 °C ~ +105 °C

## 7910-xx-0 Series Side Entry

inches  
mm

- 3~40 circuits available
- Material : 30% Glass filled P.B.T. UL 94V-0
- Tin-plated phosphor bronze
- Packing: Tube



### Dimensional Information - in (mm)

Circuits	Dim. A	Dim. B	Circuits	Dim. A	Dim. B	Circuits	Dim. A	Dim. B
3	0.098 ( 2.50)	0.372 ( 9.45)	16	0.738 ( 18.75)	1.012 ( 25.70)	29	1.378 ( 35.00)	1.652 ( 41.95)
4	0.148 ( 3.75)	0.421 ( 10.70)	17	0.787 ( 20.00)	1.061 ( 26.95)	30	1.427 ( 36.25)	1.701 ( 43.20)
5	0.197 ( 5.00)	0.470 ( 11.95)	18	0.837 ( 21.25)	1.110 ( 28.20)	31	1.476 ( 37.50)	1.750 ( 44.45)
6	0.246 ( 6.25)	0.520 ( 13.20)	19	0.886 ( 22.50)	1.159 ( 29.45)	32	1.526 ( 38.75)	1.799 ( 45.70)
7	0.295 ( 7.50)	0.569 ( 14.45)	20	0.935 ( 23.75)	1.209 ( 30.70)	33	1.575 ( 40.00)	1.848 ( 46.95)
8	0.344 ( 8.75)	0.618 ( 15.70)	21	0.984 ( 25.00)	1.258 ( 31.95)	34	1.624 ( 41.25)	1.898 ( 48.20)
9	0.394 ( 10.00)	0.667 ( 16.95)	22	1.033 ( 26.25)	1.307 ( 33.20)	35	1.673 ( 42.50)	1.947 ( 49.45)
10	0.443 ( 11.25)	0.717 ( 18.20)	23	1.083 ( 27.50)	1.356 ( 34.45)	36	1.722 ( 43.75)	1.996 ( 50.70)
11	0.492 ( 12.50)	0.766 ( 19.45)	24	1.132 ( 28.75)	1.406 ( 35.70)	37	1.772 ( 45.00)	2.045 ( 51.95)
12	0.541 ( 13.75)	0.815 ( 20.70)	25	1.181 ( 30.00)	1.455 ( 36.95)	38	1.821 ( 46.25)	2.094 ( 53.20)
13	0.591 ( 15.00)	0.864 ( 21.95)	26	1.230 ( 31.25)	1.504 ( 38.20)	39	1.870 ( 47.50)	2.144 ( 54.45)
14	0.640 ( 16.25)	0.913 ( 23.20)	27	1.280 ( 32.50)	1.553 ( 39.45)	40	1.919 ( 48.75)	2.193 ( 55.70)
15	0.689 ( 17.50)	0.963 ( 24.45)	28	1.329 ( 33.75)	1.602 ( 40.70)			