

.049"(1.25mm) ZIF FPC/FFC Top Entry Dip Type

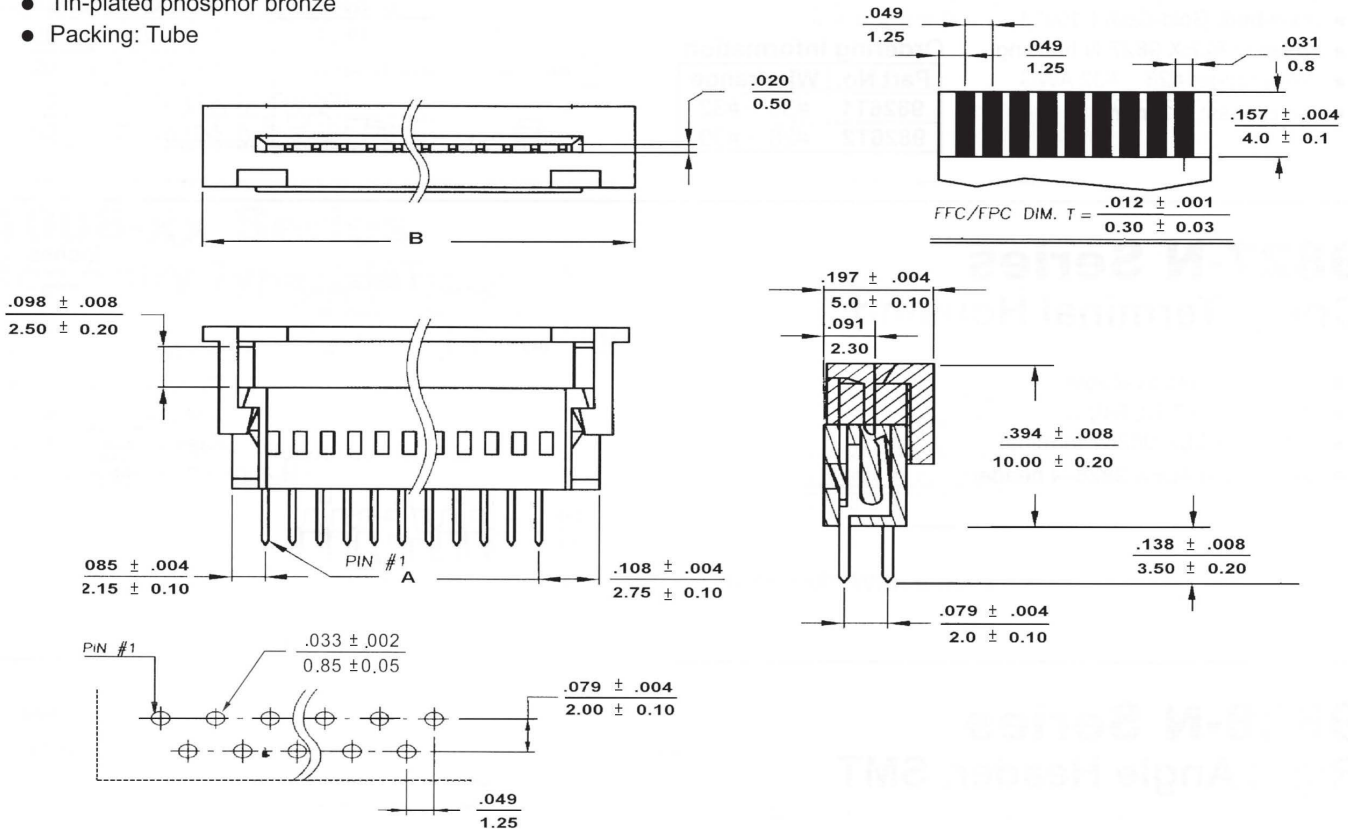
Specifications:

- Current rating: 1A Max.
- Contact resistance: 20 mΩ Max. at DC 100mA
- Insulation resistance: 5000MΩ Min. at DC 500V
- Temperature range: - 55 °C ~ +105 °C

7909-xx-0 Series Top Entry

inches
mm

- 3~40 circuits available
- Material : 30% Glass filled P.B.T. UL 94V-0
- Tin-plated phosphor bronze
- Packing: Tube



Dimensional Information - in (mm)

| Circuits | Dim. A | Dim. B | Circuits | Dim. A | Dim. B | Circuits | Dim. A | Dim. B |
|----------|----------------|----------------|----------|----------------|----------------|----------|----------------|----------------|
| 3 | 0.098 (2.50) | 0.372 (9.45) | 16 | 0.738 (18.75) | 1.012 (25.70) | 29 | 1.378 (35.00) | 1.652 (41.95) |
| 4 | 0.148 (3.75) | 0.421 (10.70) | 17 | 0.787 (20.00) | 1.061 (26.95) | 30 | 1.427 (36.25) | 1.701 (43.20) |
| 5 | 0.197 (5.00) | 0.470 (11.95) | 18 | 0.837 (21.25) | 1.110 (28.20) | 31 | 1.476 (37.50) | 1.750 (44.45) |
| 6 | 0.246 (6.25) | 0.520 (13.20) | 19 | 0.886 (22.50) | 1.159 (29.45) | 32 | 1.526 (38.75) | 1.799 (45.70) |
| 7 | 0.295 (7.50) | 0.569 (14.45) | 20 | 0.935 (23.75) | 1.209 (30.70) | 33 | 1.575 (40.00) | 1.848 (46.95) |
| 8 | 0.344 (8.75) | 0.618 (15.70) | 21 | 0.984 (25.00) | 1.258 (31.95) | 34 | 1.624 (41.25) | 1.898 (48.20) |
| 9 | 0.394 (10.00) | 0.667 (16.95) | 22 | 1.033 (26.25) | 1.307 (33.20) | 35 | 1.673 (42.50) | 1.947 (49.45) |
| 10 | 0.443 (11.25) | 0.717 (18.20) | 23 | 1.083 (27.50) | 1.356 (34.45) | 36 | 1.722 (43.75) | 1.996 (50.70) |
| 11 | 0.492 (12.50) | 0.766 (19.45) | 24 | 1.132 (28.75) | 1.406 (35.70) | 37 | 1.772 (45.00) | 2.045 (51.95) |
| 12 | 0.541 (13.75) | 0.815 (20.70) | 25 | 1.181 (30.00) | 1.455 (36.95) | 38 | 1.821 (46.25) | 2.094 (53.20) |
| 13 | 0.591 (15.00) | 0.864 (21.95) | 26 | 1.230 (31.25) | 1.504 (38.20) | 39 | 1.870 (47.50) | 2.144 (54.45) |
| 14 | 0.640 (16.25) | 0.913 (23.20) | 27 | 1.280 (32.50) | 1.553 (39.45) | 40 | 1.919 (48.75) | 2.193 (55.70) |
| 15 | 0.689 (17.50) | 0.963 (24.45) | 28 | 1.329 (33.75) | 1.602 (40.70) | | | |