

1.0mm PITCH FPC CONNECTORS

Right Angle Lower Contact

H=2.5mm

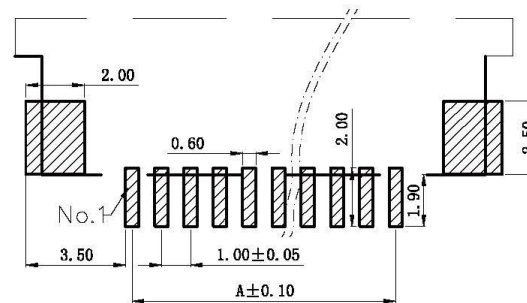
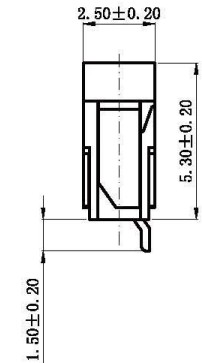
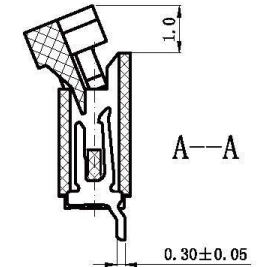
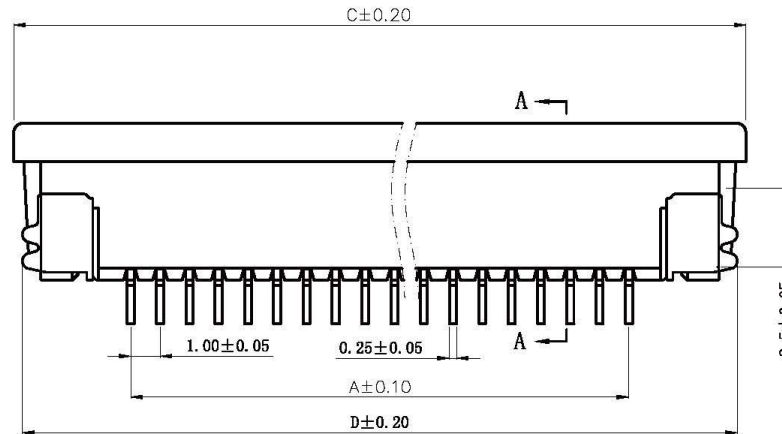
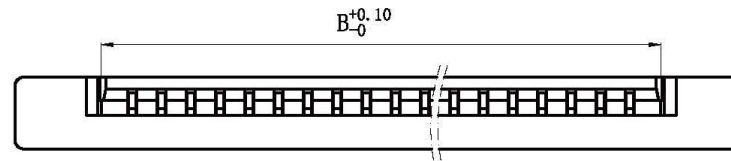
NOTE :

1. Contacts Finish: Tin 100 "u" Over Nickel 50 "u"

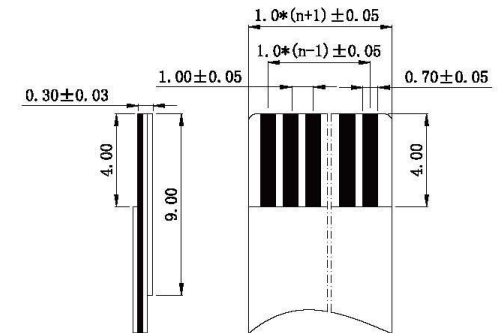
2. Material:

Insulator: Thermoplastic
Contacts: Phosphor Bronze

| No. of Contacts | DIM. A | DIM. B | DIM. C | DIM. D |
|-----------------|--------|--------|--------|--------|
| 04 | 3.00 | 5.30 | 11.10 | 10.10 |
| 05 | 4.00 | 6.30 | 12.10 | 11.10 |
| 06 | 5.00 | 7.30 | 13.10 | 12.10 |
| 07 | 6.00 | 8.30 | 14.10 | 13.10 |
| 08 | 7.00 | 9.30 | 15.10 | 14.10 |
| 09 | 8.00 | 10.30 | 16.10 | 15.10 |
| 10 | 9.00 | 11.30 | 17.10 | 16.10 |
| 11 | 10.00 | 12.30 | 18.10 | 17.10 |
| 12 | 11.00 | 13.30 | 19.10 | 18.10 |
| 13 | 12.00 | 14.30 | 20.10 | 19.10 |
| 14 | 13.00 | 15.30 | 21.10 | 20.10 |
| 15 | 14.00 | 16.30 | 22.10 | 21.10 |
| 16 | 15.00 | 17.30 | 23.10 | 22.10 |
| 17 | 16.00 | 18.30 | 24.10 | 23.10 |
| 18 | 17.00 | 19.30 | 25.10 | 24.10 |
| 19 | 18.00 | 20.30 | 26.10 | 25.10 |
| 20 | 19.00 | 21.30 | 27.10 | 26.10 |
| 21 | 20.00 | 22.30 | 28.10 | 27.10 |
| 22 | 21.00 | 23.30 | 29.10 | 28.10 |
| 23 | 22.00 | 24.30 | 30.10 | 29.10 |
| 24 | 23.00 | 25.30 | 31.10 | 30.10 |
| 25 | 24.00 | 26.30 | 32.10 | 31.10 |
| 26 | 25.00 | 27.30 | 33.10 | 32.10 |
| 27 | 26.00 | 28.30 | 34.10 | 33.10 |
| 28 | 27.00 | 29.30 | 35.10 | 34.10 |
| 29 | 28.00 | 30.30 | 36.10 | 35.10 |
| 30 | 29.00 | 31.30 | 37.10 | 36.10 |
| 32 | 31.00 | 33.30 | 39.10 | 38.10 |



PCB Layout



All Connectors
www.allconnectors.de
Tel.: 0049 711 7009503
70794 Filderstadt - Germany

info@allconnectors.de
Fax: 0049 711 7009504
Kettenerstr. 25

RoHS Compliant

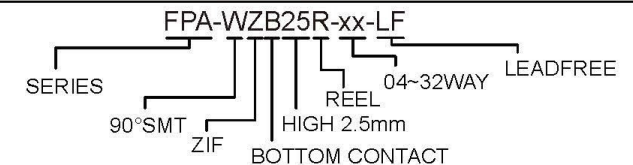
DRAWING BY CY
CHECKED BY GENIUS
UNIT/ mm SCALE 1:1
DATE
SIZE A4

TOLERANCES ARE

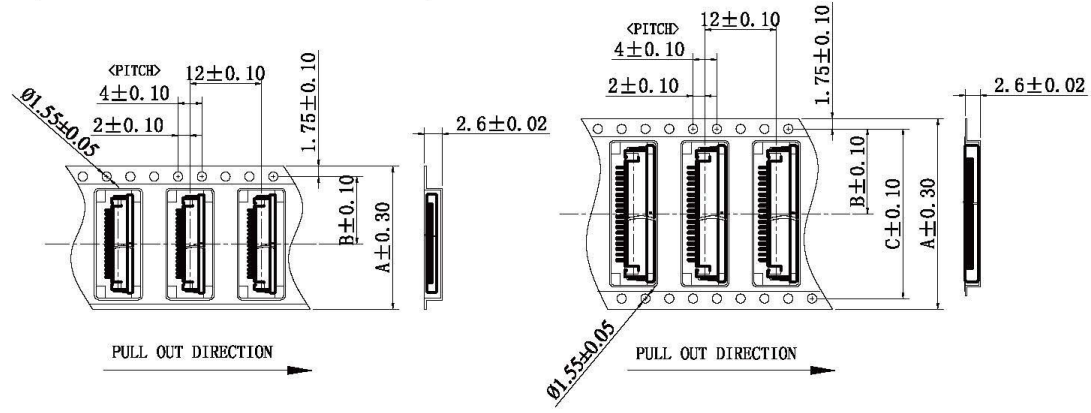
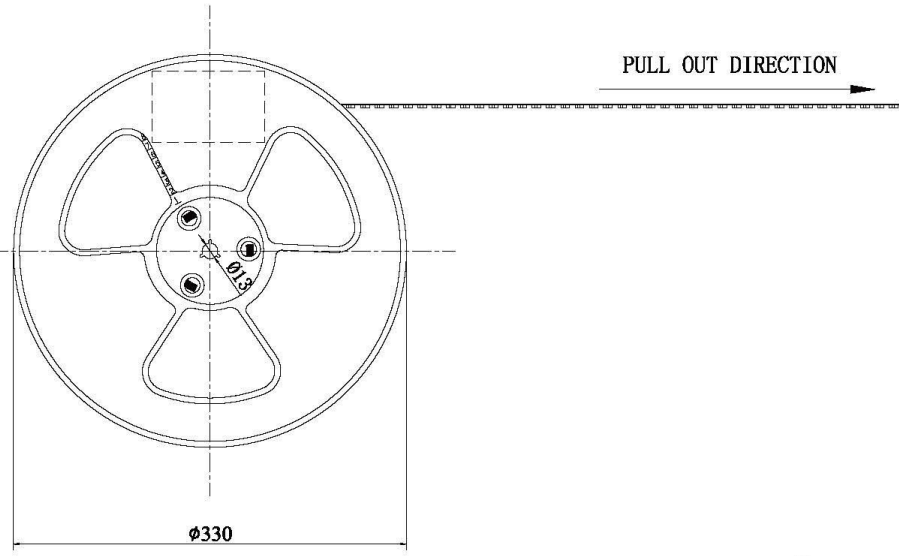
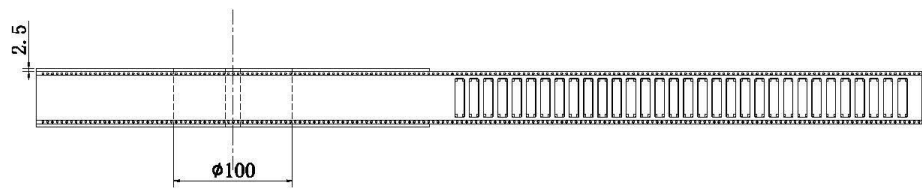
X ±
X ±
.XX ±
.XXX ±
ANG ±



ORDER INFORMATION



DESCRIPTION: FPC/FPC Connector ZIF Right Angle Lower Contact
Type 1.0 mm H=2.5mm Reel (1,500pcs/Reel)



| 接触点数量 No. of Contacts | 部品名称 Part Number | 尺寸:A DIM :A | 尺寸:B DIM :B | 尺寸:C DIM :C |
|--------------------------|---------------------|----------------|----------------|----------------|
| 4 | 1.0 - 4P | 32 | 14.20 | 28.40 |
| 18 | 1.0 - 18P | | | |
| 19 | 1.0 - 19P | 44 | 20.25 | 40.50 |
| 24 | 1.0 - 24P | | | |
| 25 | 1.0 - 25P | 56 | 26.25 | 52.50 |
| 30 | 1.0 - 30P | | | |

- 备注:
- 10个定位孔之间的累计公差为: ±0.20mm;
(10 sprocket hole pitch cumulative tolerance: ±0.20mm;)
 - Corner camber is within 1 mm in 100mm;
 - 材质: 蓝色100%可回收合成聚苯乙烯;
(Motelal: Blue Conductive Polystyrene Alloy 100% recyclable;)
 - 所有尺寸标注适合“ELA-481-3”要求;
(All dimensions meet ELA-481-3 requirements;)
 - 材料厚度: 0.3±0.05mm;
(Material Thickness: 0.3±0.05mm;)
 - 如果在卷带宽度(尺寸“A”处)为24mm的情况下, 则卷带为单边带定位孔;
(For tape width (dimension A) 24mm a pilot hole is provided on one side;)
如果在卷带宽度(尺寸“A”处)为32mm和44mm的情况下, 则卷带为两边带定位孔。
(For tape width (dimension A) 32mm and 44mm pilot holes are provided on both sides.)
 - 每卷装1500PCS.

All Connectors
 www.allconnectors.de
 Tel.: 0049 711 7009503
 70794 Filderstadt - Germany

RoHS Compliant
 DRAWING BY CY
 CHECKED BY GENIUS
 UNIT/ mm SCALE 1:1
 DATE
 SIZE A4

TOLERANCES ARE
 X ±
 .X ±
 .XX ±
 .XXX ±
 ANG ±



ORDER INFORMATION
 FPA-WZB25R-xx-LF
 SERIES REEL 04-32WAY LEADFREE
 90°SMT ZIF HIGH 2.5mm BOTTOM CONTACT

DESCRIPTION: FFC/FPC Connector ZIF Right Angle Lower Contact Type 1.0 mm H=2.5mm Reel (1,500pcs/Reel)