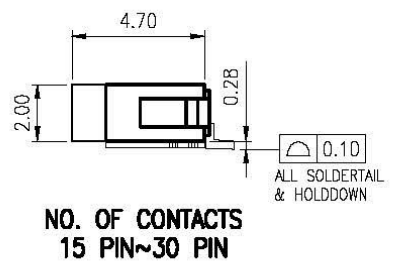
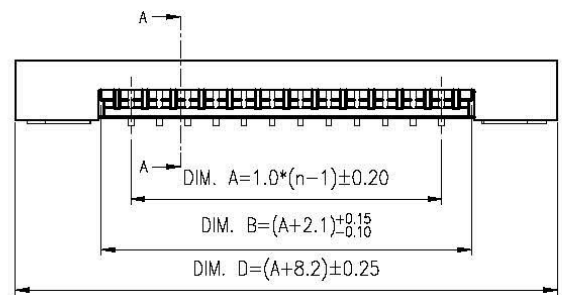


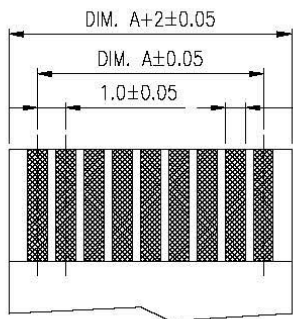
SECTION A-A



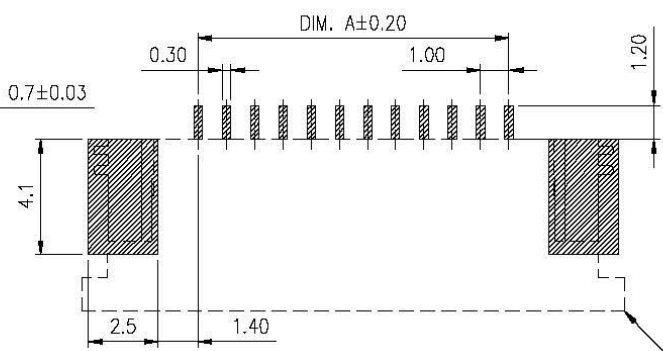
**MATERIAL**  
 HOUSING: HIGH-TEMP 94V-0, COLOR: NATURAL.  
 ACTUATOR: HIGH-TEMP 94V-0, COLOR: BLACK.  
 CONTACT: COPPER ALLOY.  
 PLATING: ALL TIN, LEAD FREE OR ALL GOLD.  
 HOLDDOWN: COPPER ALLOY. PLATING: ALL TIN, LEAD FREE.

**DIMENSION TABLE**

Circuits	Dimension				
	A	B	C	D	E
4	3.00	5.10	9.10	11.20	10.40
5	4.00	6.10	10.10	12.20	11.40
6	5.00	7.10	11.10	13.20	12.40
7	6.00	8.10	12.10	14.20	13.40
8	7.00	9.10	13.10	15.20	14.40
9	8.00	10.10	14.10	16.20	15.40
10	9.00	11.10	15.10	17.20	16.40
11	10.00	12.10	16.10	18.20	17.40
12	11.00	13.10	17.10	19.20	18.40
13	12.00	14.10	18.10	20.20	19.40
14	13.00	15.10	19.10	21.20	20.40
15	14.00	16.10	20.10	22.20	21.40
16	15.00	17.10	21.10	23.20	22.40
17	16.00	18.10	22.10	24.20	23.40
18	17.00	19.10	23.10	25.20	24.40
19	18.00	20.10	24.10	26.20	25.40
20	19.00	21.10	25.10	27.20	26.40
21	20.00	22.10	26.10	28.20	27.40
22	21.00	23.10	27.10	29.20	28.40
23	22.00	24.10	28.10	30.20	29.40
24	23.00	25.10	29.10	31.20	30.40
25	24.00	26.10	30.10	32.20	31.40
26	25.00	27.10	31.10	33.20	32.40
27	26.00	28.10	32.10	34.20	33.40
28	27.00	29.10	33.10	35.20	34.40
29	28.00	30.10	34.10	36.20	35.40
30	29.00	31.10	35.10	37.20	36.40

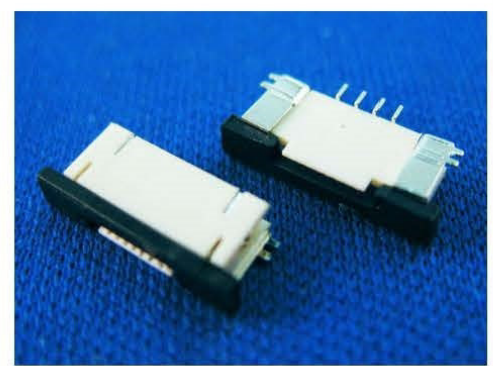


FFC/FPC DIMENSION THICKNESS 0.30 ± 0.03mm



RECOMMENDED PCB LAYOUT TOLERANCE: ±0.05

FPA-WZB22-xx-LF  
 LEADFREE  
 RoHS Compliant



**All connectors**

www.allconnectors.de info@allconnectors.de  
 Tel.: 0049 711 7000800 Fax: 0049 711 7000501  
 20794 Hildesheim, Germany Kottbusstr. 22

PART NO. FPA-WZB22-xx		CHECKED BY CY		TOLERANCES ARE		DESCRIPTION:	
DWG NO. FPA-WZB22-xx		DRAWING BY		X ± 0.2 XX ± XXX ± AWG			
FILE NO.		PROJECTION		AREA		REVISIONS	
UNIT / mm	SCALE 1:1			HK		DATE	