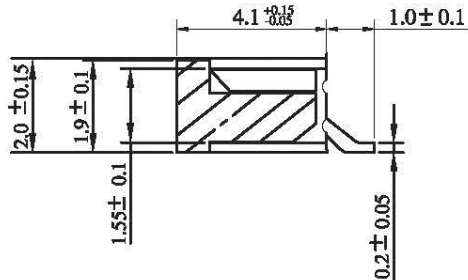
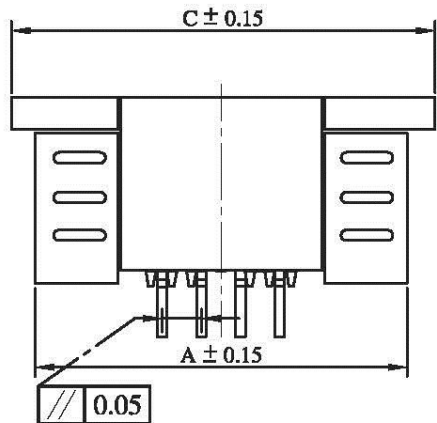
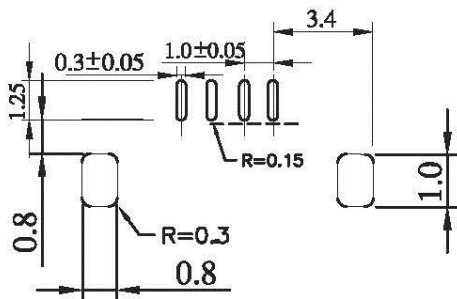
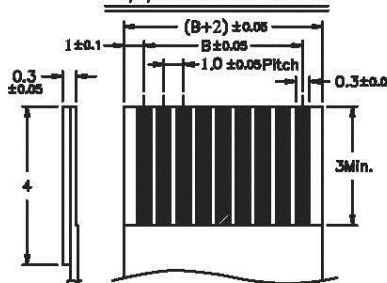


SECT X-X



Applicable FPC



PCB Layout

# FFC/FPC Connector ZIF Right Angle Lower Contact Type (Pitch 1.0 mm)

NOTE :

- 1.Contacts Finish: Tin Over Nickel
- 2.Material:  
Insulator:Thermoplastic  
Contacts:Phosphor Bronze

FPA-WZB201-xx-LF  
LEADFREE  
04-24WAY

RoHS Compliant

No.of Contacts	Contacts Number	DIM. A	DIM. B	DIM. C	DIM. D
04	FPA-WZB201-04	9.2	3	10	5.1
05	FPA-WZB201-05	10.2	4	11	6.1
06	FPA-WZB201-06	11.2	5	12	7.1
07	FPA-WZB201-07	12.2	6	13	8.1
08	FPA-WZB201-08	13.2	7	14	9.1
09	FPA-WZB201-09	14.2	8	15	10.1
10	FPA-WZB201-10	15.2	9	16	11.1
11	FPA-WZB201-11	16.2	10	17	12.1
12	FPA-WZB201-12	17.2	11	18	13.1
13	FPA-WZB201-13	18.2	12	19	14.1
14	FPA-WZB201-14	19.2	13	20	15.1
15	FPA-WZB201-15	20.2	14	21	16.1
16	FPA-WZB201-16	21.2	15	22	17.1
17	FPA-WZB201-17	22.2	16	23	18.1
18	FPA-WZB201-18	23.2	17	24	19.1
19	FPA-WZB201-19	24.2	18	25	20.1
20	FPA-WZB201-20	25.2	19	26	21.1
21	FPA-WZB201-21	26.2	20	27	22.1
22	FPA-WZB201-22	27.2	21	28	23.1
23	FPA-WZB201-23	28.2	22	29	24.1
24	FPA-WZB201-24	29.2	23	30	25.1

**All Connectors**

www.allconnectors.de  
Tel.: 0049 711 7003801  
All/94 Hildenstadt, Germany

info@allconnectors.de  
Fax: 0049 711 7003504  
Kettbamerstr. 25

PART NO. FPA-WZB201-xx

DWG NO. FPA-WZB201-xx

FILE NO.

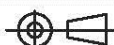
UNIT / mm

SCALE 1:1

CHECKED BY CY

DRAWING BY

PROJECTION



TOLERANCES ARE

.X ± 0.2  
.XX ±  
.XXX ±  
AWG

DESCRIPTION:

FFC/FPC Connector ZIF  
Right Angle Lower Contact  
Type (Pitch 1.0 mm)

AREA

REVISIONS

HK

DATE