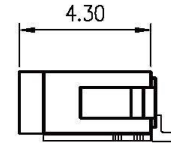
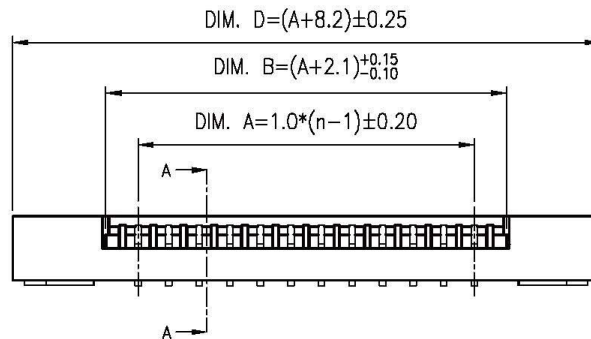
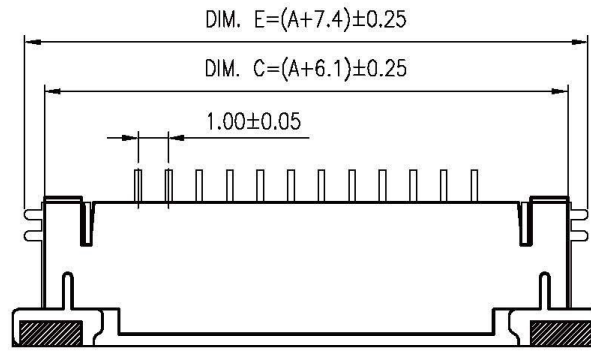
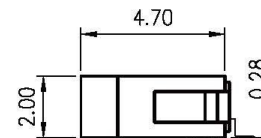


SECTION A-A

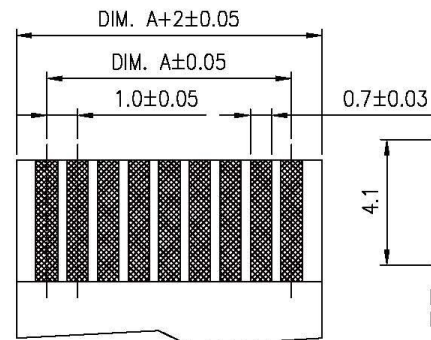


NO. OF CONTACTS
4 PIN~14 PIN

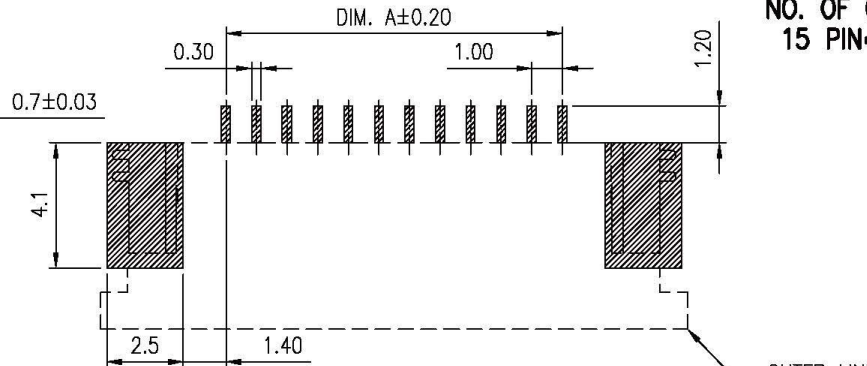


NO. OF CONTACTS
15 PIN~30 PIN

0.10
ALL SOLDER TAIL
& HOLDDOWN



FFC/FPC DIMENSION
THICKNESS 0.30 ±0.03mm



RECOMMENDED PCB LAYOUT
TOLERANCE ±0.05

■ MATERIAL

HOUSING: HIGH-TEMP 94V-0, COLOR: NATURAL.
ACTUATOR: HIGH-TEMP 94V-0, COLOR: BLACK.
CONTACT: COPPER ALLOY.
PLATING: ALL TIN, LEAD FREE OR ALL GOLD
HOLDDOWN: COPPER ALLOY. PLATING: ALL TIN, LEAD FREE.

■ SPECIFICATION

PRODUCT SPECIFICATION: PS-FPC-01
PACKAGING SPECIFICATION: REEL: FZ1204002
TUBE: FZ1204007

■ DIMENSION TABLE

Circuits	Dimension				
	A	B	C	D	E
4	3.00	5.10	9.10	11.20	10.40
5	4.00	6.10	10.10	12.20	11.40
6	5.00	7.10	11.10	13.20	12.40
7	6.00	8.10	12.10	14.20	13.40
8	7.00	9.10	13.10	15.20	14.40
9	8.00	10.10	14.10	16.20	15.40
10	9.00	11.10	15.10	17.20	16.40
11	10.00	12.10	16.10	18.20	17.40
12	11.00	13.10	17.10	19.20	18.40
13	12.00	14.10	18.10	20.20	19.40
14	13.00	15.10	19.10	21.20	20.40
15	14.00	16.10	20.10	22.20	21.40
16	15.00	17.10	21.10	23.20	22.40
17	16.00	18.10	22.10	24.20	23.40
18	17.00	19.10	23.10	25.20	24.40
19	18.00	20.10	24.10	26.20	25.40
20	19.00	21.10	25.10	27.20	26.40
21	20.00	22.10	26.10	28.20	27.40
22	21.00	23.10	27.10	29.20	28.40
23	22.00	24.10	28.10	30.20	29.40
24	23.00	25.10	29.10	31.20	30.40
25	24.00	26.10	30.10	32.20	31.40
26	25.00	27.10	31.10	33.20	32.40
27	26.00	28.10	32.10	34.20	33.40
28	27.00	29.10	33.10	35.20	34.40
29	28.00	30.10	34.10	36.20	35.40
30	29.00	31.10	35.10	37.20	36.40

RoHS Compliant

All Connectors

www.allconnectors.de info@allconnectors.de
Tel.: 0049 711 7009503 Fax: 0049 711 7009504
70794 Filderstadt - Germany Kettenerstr. 25

DRAWING BY CY
CHECKED BY GENIUS
UNIT/ mm SCALE 1 : 1
DATE
SIZE A4

TOLERANCES ARE
X ±
X ±
.XX ±
.XXX ±
ANG ±

PJECTION



ORDER INFORMATION

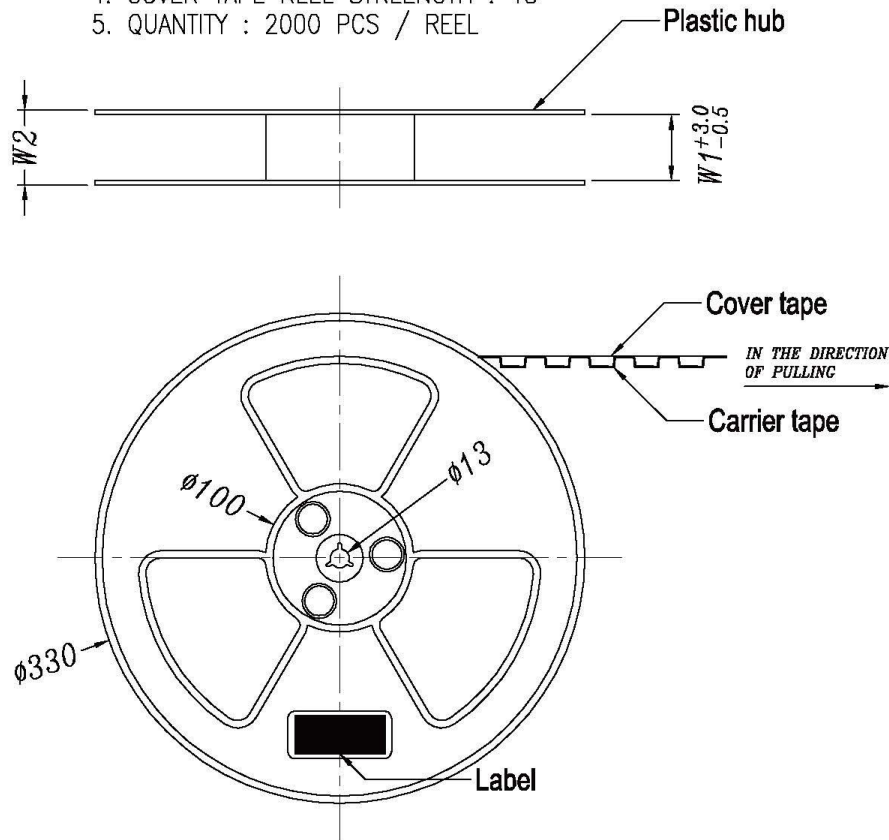
FPA-WZA22R-xx-LF

SERIES ZIF REEL 04~30WAY LEADFREE
90°SMT HIGH 2.28mm UPPER CONTACT

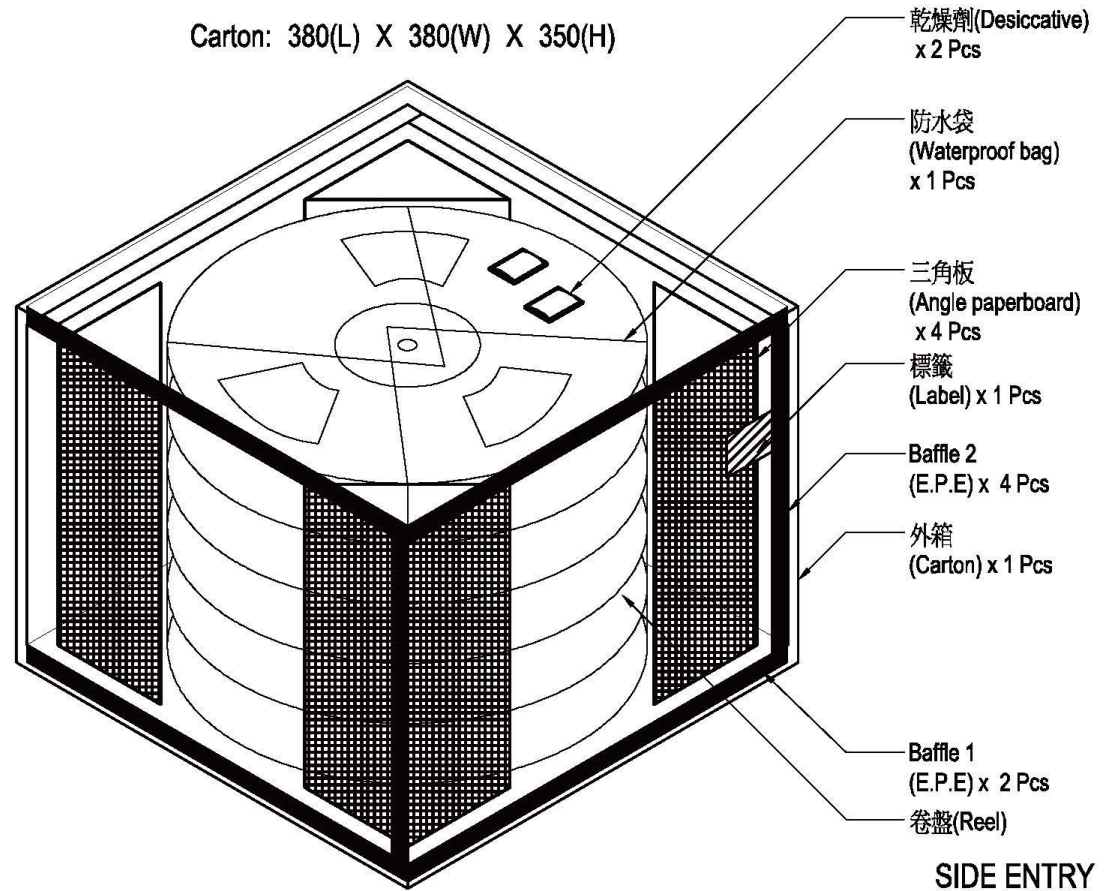
DESCRIPTION:

NOTE

1. REEL MATERIAL : PS
2. CARRIER MATERIAL : PS
3. COVER TAPE MATERIAL : PS
4. COVER TAPE REEL STRENGTHH : 13"
5. QUANTITY : 2000 PCS / REEL



Carton: 380(L) X 380(W) X 350(H)



NO. OF CONTACTS	DIMENSION				PACKING	
	F	W1	W2	W3	REEL/CARTON	QUANTITY(PCS)
4~9	11.5	24.5	30.5	24.0	10	20000
10~13	28.4	32.5	38.5	32.0	8	16000
14~25	40.4	44.5	50.5	44.0	6	12000
26~30	52.6	56.5	62.5	56.0	5	10000

RoHS Compliant

All Connectors

www.allconnectors.de info@allconnectors.de
 Tel.: 0049 711 7009503 Fax: 0049 711 7009504
 70794 Filderstadt - Germany Kettenerstr. 25

TOLERANCES ARE

X ±
 .X ±
 .XX ±
 .XXX ±
 ANG ±

DRAWING BY CY
 CHECKED BY GENIUS

UNIT/ mm SCALE 1 : 1

DATE

SIZE A4 PROJECTION

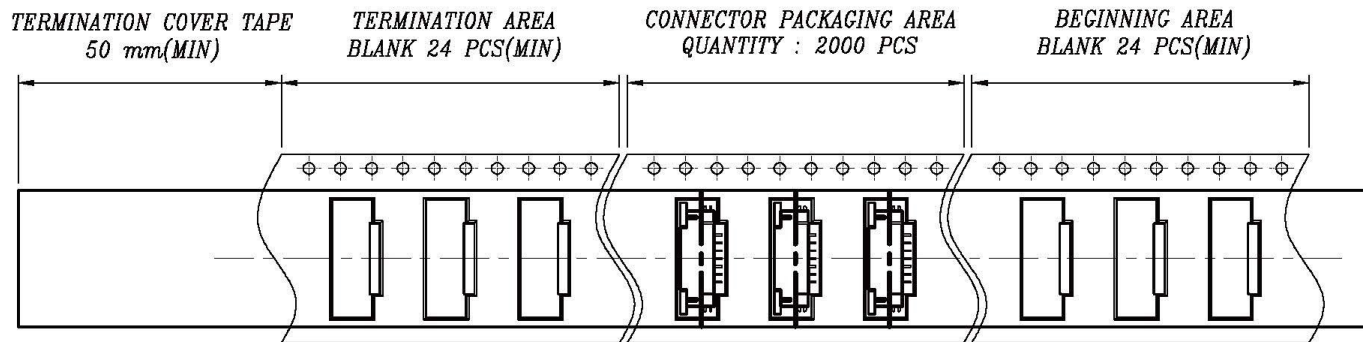
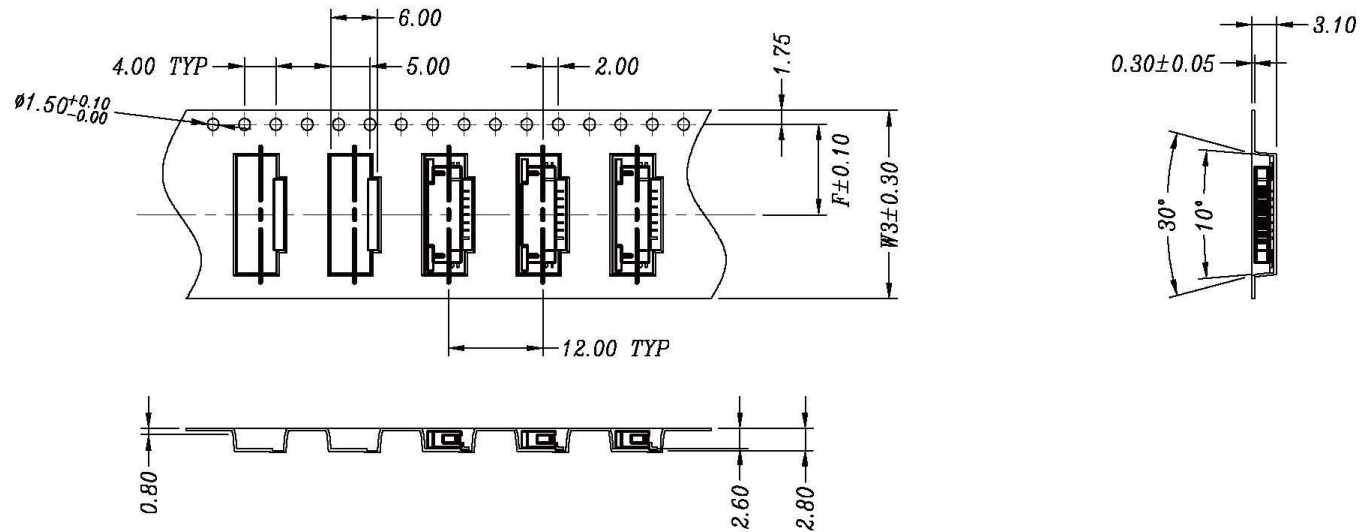


ORDER INFORMATION

FPA-WZA22R-xx-LF

SERIES FPA-WZA22R-xx-LF
 90°SMT ZIF REEL HIGH 2.28mm UPPER CONTACT
 04~30WAY LEADFREE

DESCRIPTION:



WIDTH : 24 mm Carrier

Allconnectors

www.allconnectors.de
Tel.: 0049 711 7009503
70794 Filderstadt - Germany

info@allconnectors.de
Fax: 0049 711 7009504
Kettnerstr. 25

RoHS Compliant

DRAWING BY CY
CHECKED BY GENIUS
UNIT/ mm SCALE 1 : 1
DATE
SIZE A4

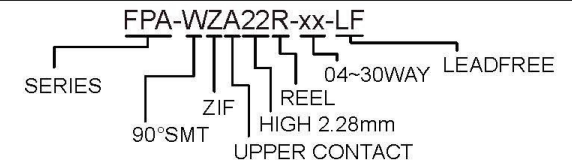
TOLERANCES ARE

X \pm
X \pm
.XX \pm
.XXX \pm
ANG \pm

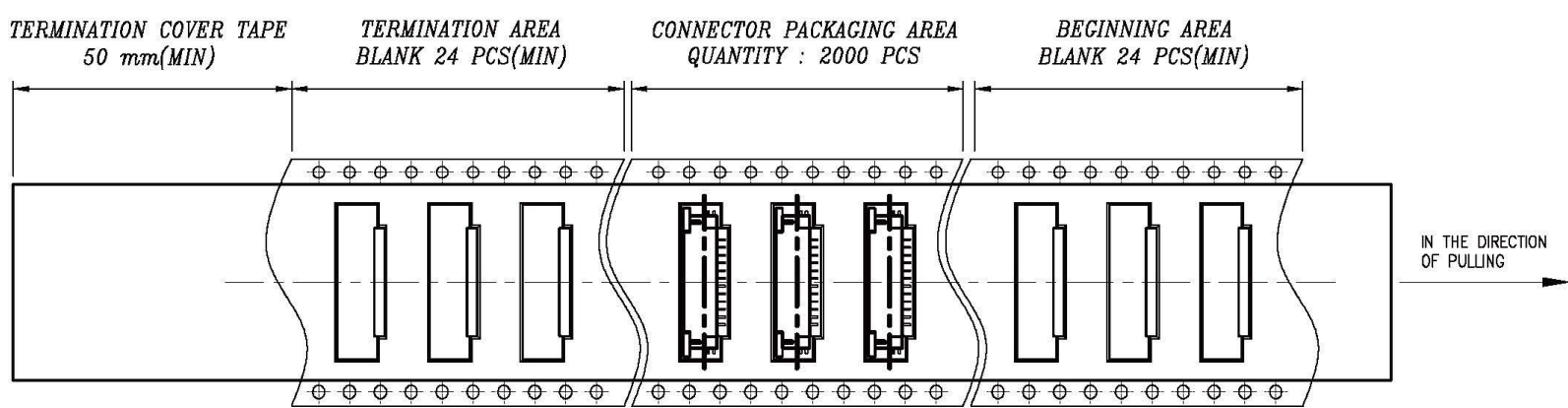
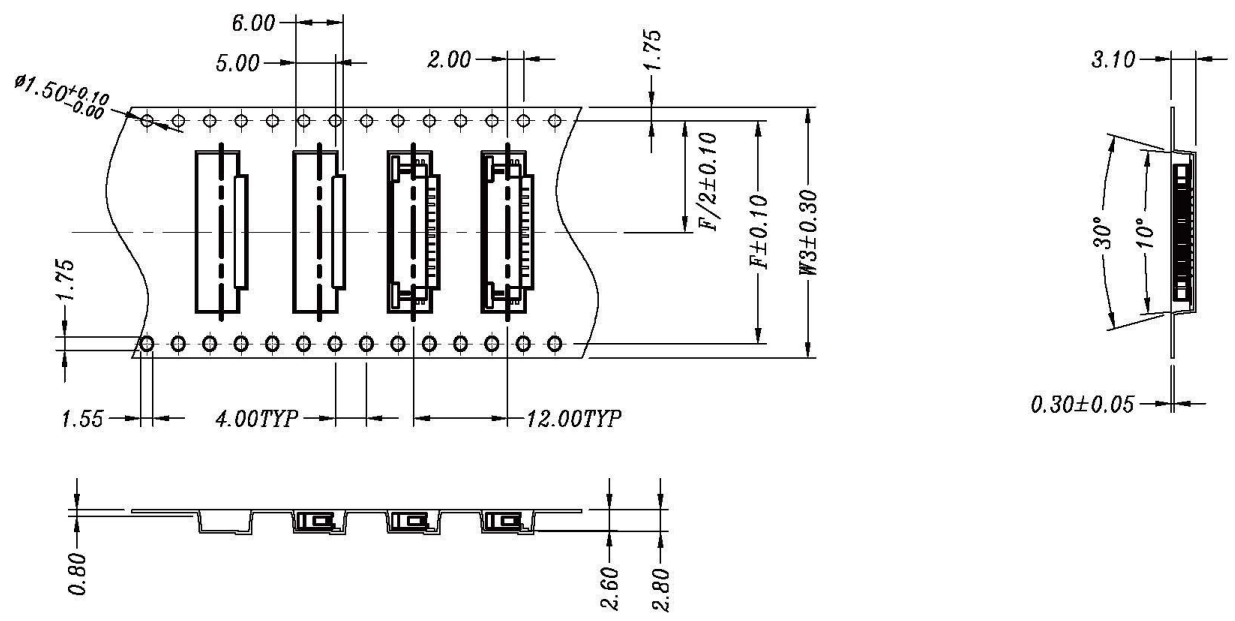
PJECTION



ORDER INFORMATION



DESCRIPTION:



WIDTH : 32 , 44 , 56 Carrier

Allconnectors
 www.allconnectors.de
 Tel.: 0049 711 7009503
 70794 Filderstadt - Germany

RoHS Compliant

info@allconnectors.de
 Fax: 0049 711 7009504
 Kettenerstr. 25

DRAWING BY CY		TOLERANCES ARE X ± .X ± .XX ± .XXX ± ANG ±
CHECKED BY GENIUS		
UNIT/ mm	SCALE 1 : 1	
DATE		
SIZE A4	PJECTION	



ORDER INFORMATION

FPA-WZA22R-xx-LF

SERIES: FPA-WZA22R-xx-LF
 90°SMT
 ZIF
 REEL
 HIGH 2.28mm
 UPPER CONTACT
 04-30WAY
 LEADFREE

DESCRIPTION: