

NOTE:

1.MATERIAL:

HOUSING: HIGH TEMPERATURE THERMOPLASTIC. COLOR: NATURAL.
 ACTUATOR: HIGH TEMPERATURE THERMOPLASTIC. COLOR: BLACK.
 TERMINAL: COPPER ALLOY.
 HOLDDOWN: COPPER ALLOY.

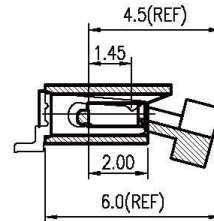
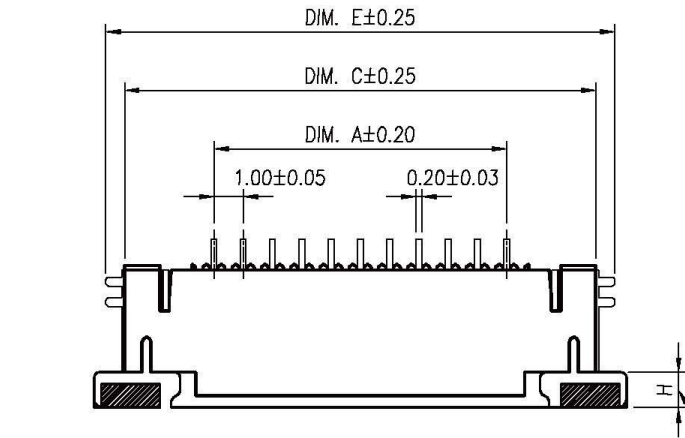
2.FINISH:

TERMINAL:

100u" MIN. TIN PLATING OR G/F GOLD PLATING WITH
 50u" MIN. NICKEL UNDERPLATED OVERALL.

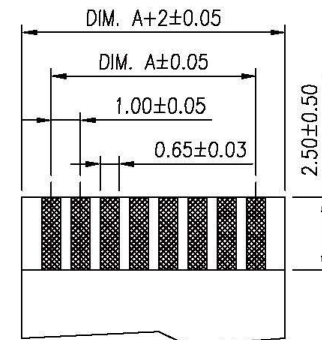
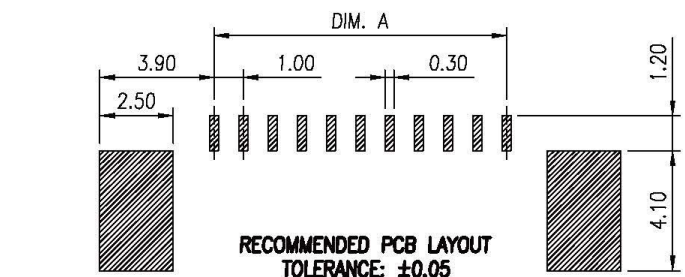
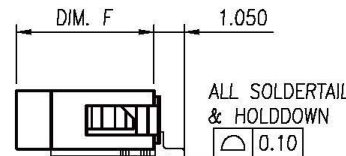
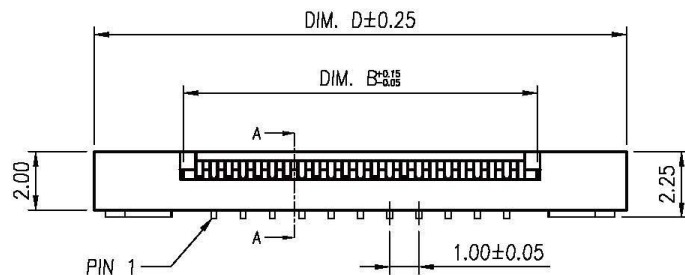
HOLDDOWN:

100u" MIN. TIN PLATING WITH
 50u" MIN. NICKEL UNDERPLATED OVERALL



SECTION A-A

H=0.80mm: 4 ~ 14 PIN
 H=1.20mm: 15 ~ 30 PIN



**FFC/FPC DIMENSION
 THICKNESS 0.30±0.03 mm**

■ DIMENSION TABLE

Pos.	Dimension					
	A	B	C	D	E	F
4	3.00	5.10	9.10	11.20	10.40	4.30
5	4.00	6.10	10.10	12.20	11.40	4.30
6	5.00	7.10	11.10	13.20	12.40	4.30
7	6.00	8.10	12.10	14.20	13.40	4.30
8	7.00	9.10	13.10	15.20	14.40	4.30
9	8.00	10.10	14.10	16.20	15.40	4.30
10	9.00	11.10	15.10	17.20	16.40	4.30
11	10.00	12.10	16.10	18.20	17.40	4.30
12	11.00	13.10	17.10	19.20	18.40	4.30
13	12.00	14.10	18.10	20.20	19.40	4.30
14	13.00	15.10	19.10	21.20	20.40	4.30
15	14.00	16.10	20.10	22.20	21.40	4.70
16	15.00	17.10	21.10	23.20	22.40	4.70
17	16.00	18.10	22.10	24.20	23.40	4.70
18	17.00	19.10	23.10	25.20	24.40	4.70
19	18.00	20.10	24.10	26.20	25.40	4.70
20	19.00	21.10	25.10	27.20	26.40	4.70
21	20.00	22.10	26.10	28.20	27.40	4.70
22	21.00	23.10	27.10	29.20	28.40	4.70
23	22.00	24.10	28.10	30.20	29.40	4.70
24	23.00	25.10	29.10	31.20	30.40	4.70
25	24.00	26.10	30.10	32.20	31.40	4.70
26	25.00	27.10	31.10	33.20	32.40	4.70
27	26.00	28.10	32.10	34.20	33.40	4.70
28	27.00	29.10	33.10	35.20	34.40	4.70
29	28.00	30.10	34.10	36.20	35.40	4.70
30	29.00	31.10	35.10	37.20	36.40	4.70

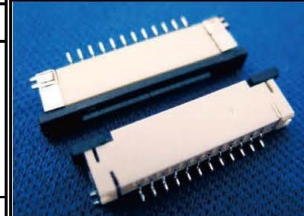
RoHS Compliant

All Connectors

www.allconnectors.de
 Tel.: 0049 711 7009503
 70794 Filderstadt - Germany

info@allconnectors.de
 Fax: 0049 711 7009504
 Kettenerstr. 25

DRAWING BY CY		TOLERANCES ARE X ± 0.40 X ± 0.30 .XX ± 0.20 .XXX ± 0.10 ANG ±
CHECKED BY GENIUS		
UNIT/ mm	SCALE 1 : 1	
DATE		
SIZE A4	PPOJECTION	



ORDER INFORMATION

FPA-WZA22-xx-LF

SERIES: FPA-WZA22-xx-LF
 ZIF
 90°SMT
 04-30WAY
 HIGH 2.25mm
 UPPER CONTACT
 LEADFREE

DESCRIPTION: FPC/FFC 1.0mm PITCH ZIF SMT TYPE CONNECTOR

FPC PACKING

1. 適用範圍:

適用於 FPC 0.5/1.0mm PITCH ZIF SMT SIDE ENTRY TYPE 產品。

2. 包裝方式:

成品以Tube管包裝，每一Tube管之包裝數量如(表一)所示，每管前、後出口以塑膠軟塞塞住，每二十管以橡皮筋綁成一捆，每一小箱放置45捆共900管，一大箱共可放置兩小箱。

3. 包裝規格:

3.1 尺寸: 1. Tube - 636mm(L) X 7.20mm(W) X 3.70mm(H)

2. Carton(1) - 645mm(L) X 195mm(W) X 14mm(H)

3. Carton(2) - 657mm(L) X 310mm(W) X 210mm(H)

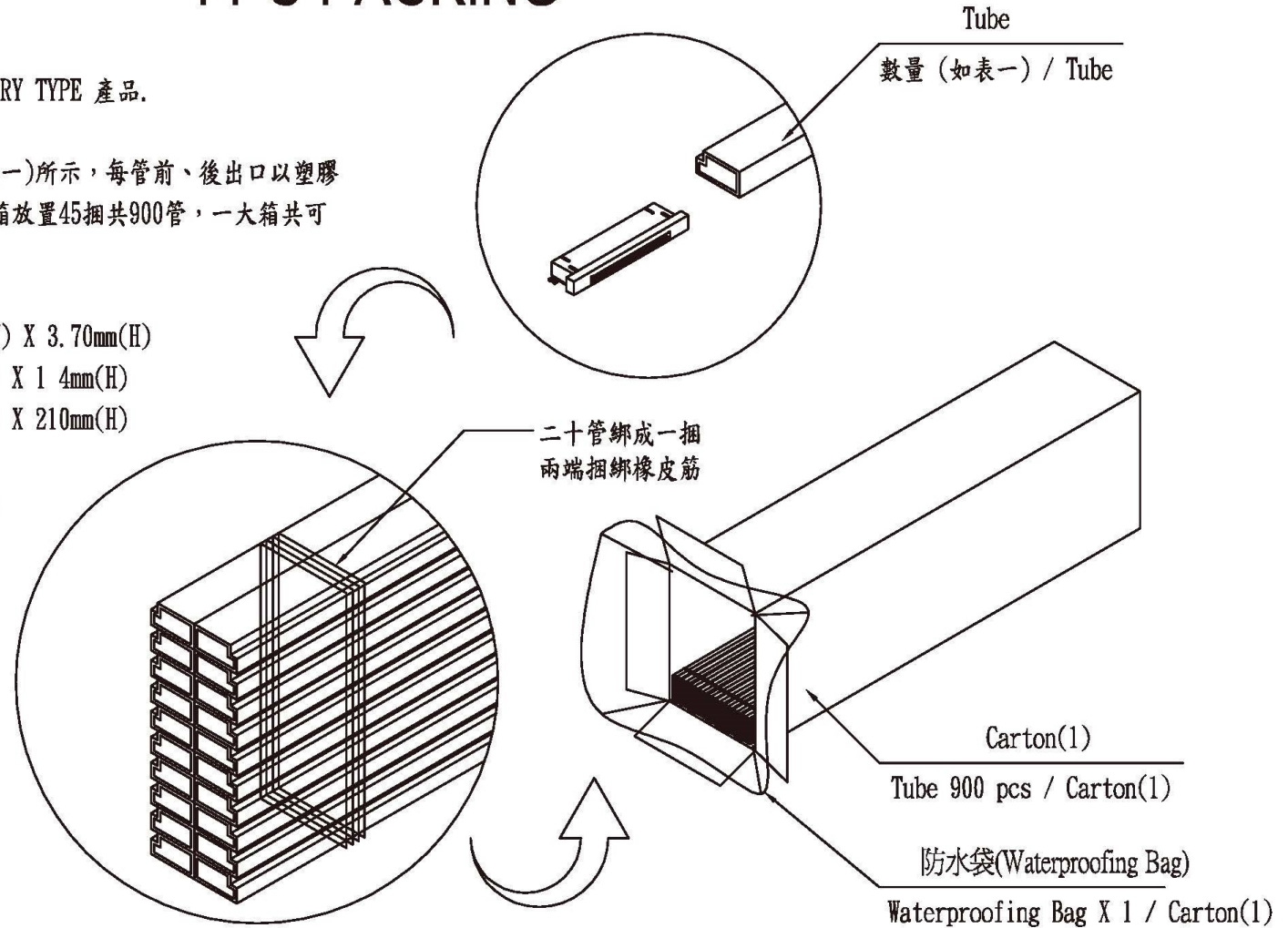
3.2 材質: 1. Tube : 塑膠聚氣乙烯(PVC)

2. Carton: 瓦楞紙(Corrugated paper)

3.3 顏色: 1. Tube : 透明(Transparent)

2. Carton: 本色

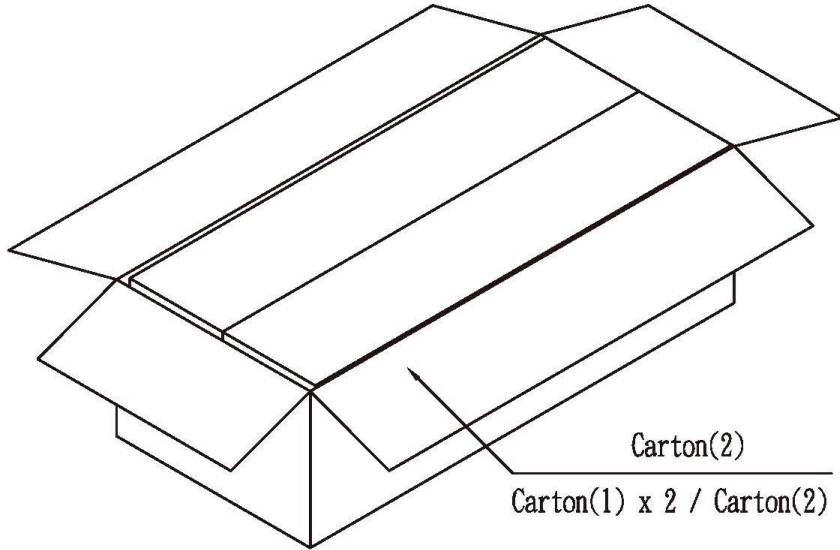
3.4 數量、淨重、毛重: 如(表一)



		RoHS Compliant		TOLERANCES ARE		
		DRAWING BY CY	X ± 0.40			
CHECKED BY GENIUS	X ± 0.30					
UNIT / mm	SCALE 1 : 1		.XX ± 0.20			
DATE			.XXX ± 0.10			
SIZE A4	PROJECTION		ANG ±			
www.allconnectors.de	info@allconnectors.de					
Tel.: 0049 711 7009503	Fax: 0049 711 7009504					
70794 Filderstadt - Germany	Kettnerstr. 25					

ORDER INFORMATION			
FPA-WZA22-xx-LF			
SERIES	ZIF	04~30WAY	LEADFREE
90°SMT	HIGH 2.25mm	UPPER CONTACT	
DESCRIPTION: FPC/FFC 1.0mm PITCH ZIF SMT TYPE CONNECTOR			

FPC PACKING



(UNIT: PCS)

(表一)

NO. OF CONTACTS		NUMBER			N.W(KG)		G.W(KG)		NO. OF CONTACTS		NUMBER			N.W(KG)		G.W(KG)	
0.5 PITCH	1.0 PITCH	Tube	Carton1	Carton2	0.5 PITCH	1.0 PITCH	0.5 PITCH	1.0 PITCH	0.5 PITCH	1.0 PITCH	Tube	Carton1	Carton2	0.5 PITCH	1.0 PITCH	0.5 PITCH	1.0 PITCH
3		76	68400	136800	16.83			34.02	33	16	26	23400	46800	19.86	16.12	37.05	33.31
4		71	63900	127800	16.93			34.12	34		26	23400	46800	20.32		37.51	
5		67	60300	120600	17.13			34.32	35	17	25	22500	45000	19.98	16.17	37.17	33.36
6		64	57600	115200	17.45			34.64	36		25	22500	45000	20.42		37.61	
7		61	54900	109800	17.68			34.87	37	18	24	21600	43200	20.03	16.17	37.22	33.36
8		58	52200	104400	17.80			34.99	38		24	21600	43200	20.45		37.64	
9	4	55	49500	99000	17.82	15.49	35.01	32.88	39	19	23	20700	41400	20.00	16.11	37.19	33.30
10		53	47700	95400	18.08			35.27	40		23	20700	41400	20.41		37.60	
11	5	51	45900	91800	18.27	15.68	35.46	32.87	41	20	22	19800	39600	19.91	16.00	37.10	33.19
12		49	44100	88200	18.39			35.58	42		22	19800	39600	20.30		37.49	
13	6	47	42300	84600	18.44	15.66	35.63	32.85	43	21	22	19800	39600	20.59	16.59	37.88	33.78
14		45	40500	81000	18.43			35.53	44		21	18900	37800	20.12		37.31	
15	7	43	38700	77400	18.34	15.43	35.83	32.62	45	22	21	18900	37800	20.49	16.40	37.68	33.59
16		42	37800	75600	18.64			35.83	46		21	18900	37800	20.86		38.05	
17	8	41	36900	73800	18.89	15.77	36.08	32.96	47	23	20	18000	36000	20.22	16.16	37.41	33.35
18		39	35100	70200	18.64			35.83	48		20	18000	36000	20.57		37.76	
19	9	38	34200	68400	18.81	15.60	36.00	32.79	49	24	20	18000	36000	20.92	16.69	38.11	33.88
20		37	33300	66600	18.95			36.14	50		19	17100	34200	20.21		37.40	
21	10	36	32400	64800	19.05	15.70	36.24	32.89	51	25	19	17100	34200	20.55	16.37	37.74	33.56
22		35	31500	63000	19.12			36.31	52		19	17100	34200	20.88		38.07	
23	11	34	30600	61200	19.16	15.70	36.35	32.89	53	26	18	16200	32400	20.10	16.00	37.29	33.19
24		33	29700	59400	19.16			36.35	54		18	16200	32400	20.42		37.61	
25	12	32	28800	57600	19.12	15.60	36.31	32.79	55	27	18	16200	32400	20.74	16.47	37.93	33.66
26		31	27900	55800	19.06			36.25	56		17	15300	30600	19.88		37.07	
27	13	30	27000	54000	18.95	15.40	36.14	32.59	57	28	17	15300	30600	20.18	16.01	37.37	33.20
28		30	27000	54000	19.47			36.66	58		17	15300	30600	20.48		37.67	
29	14	29	26100	52200	19.31	15.63	36.50	32.82	59	29	17	15300	30600	20.78	16.47	37.97	33.66
30		28	25200	50400	19.13			36.32	60		17	15300	30600	21.08		38.27	
31	15	28	25200	50400	20.40	16.61	37.59	33.80	61	30	16	1400	28800	20.13	15.93	37.32	33.12
32		27	24300	48600	20.15			37.34									

RoHS Compliant

All Connectors

www.allconnectors.de info@allconnectors.de
Tel.: 0049 711 7009503 Fax: 0049 711 7009504
70794 Filderstadt - Germany Kettenerstr. 25

TOLERANCES ARE

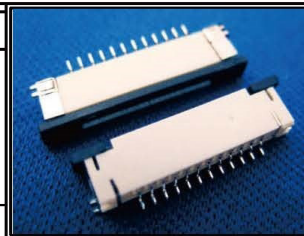
X ± 0.40
X ± 0.30
.XX ± 0.20
.XXX ± 0.10
ANG ±

DRAWING BY CY
CHECKED BY GENIUS

UNIT/mm SCALE 1:1

DATE

SIZE A4 PROJECTION



ORDER INFORMATION

FPA-WZA22-xx-LF

SERIES ZIF 04-30WAY LEADFREE
90°SMT HIGH 2.25mm UPPER CONTACT

DESCRIPTION: FPC/FFC 1.0mm PITCH ZIF SMT TYPE CONNECTOR