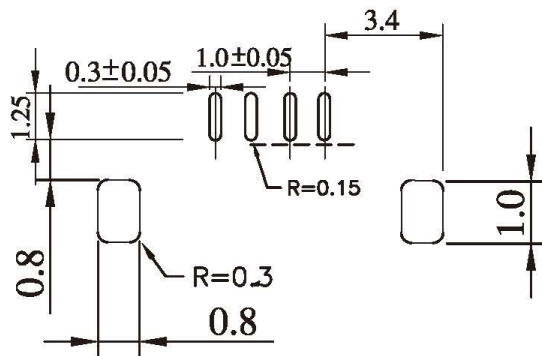
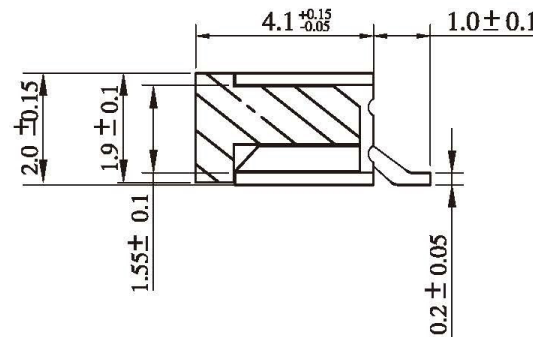
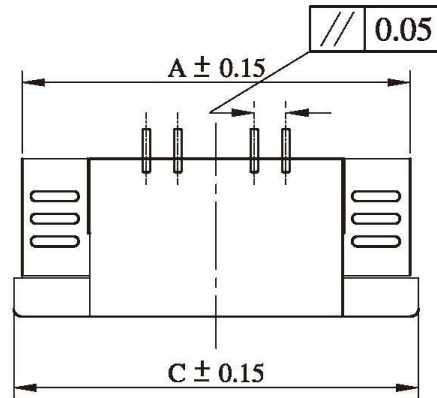
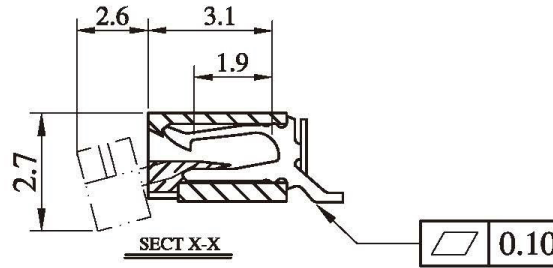
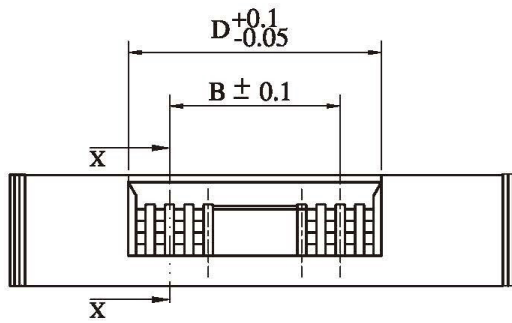


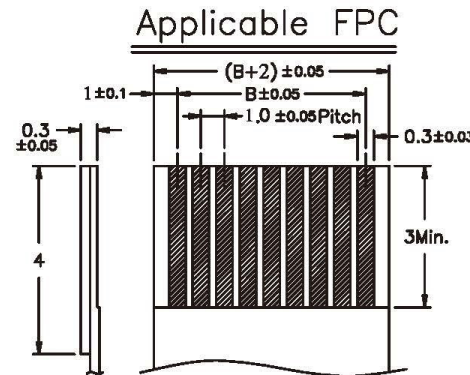
# FFC/FPC Connector ZIF Right Angle Lower Contact Type (Pitch 1.0 mm)

NOTE :

- 1.Contacts Finish: Tin Over Nickel
- 2.Material:  
Insulator:Thermoplastic  
Contacts:Phosphor Bronze



PCB Layout



No.of Contacts	Contacts Number	DIM. A	DIM. B	DIM. C	DIM. D
04	FPA-WZA201-04	9.2	3	10	5.1
05	FPA-WZA201-05	10.2	4	11	6.1
06	FPA-WZA201-06	11.2	5	12	7.1
07	FPA-WZA201-07	12.2	6	13	8.1
08	FPA-WZA201-08	13.2	7	14	9.1
09	FPA-WZA201-09	14.2	8	15	10.1
10	FPA-WZA201-10	15.2	9	16	11.1
11	FPA-WZA201-11	16.2	10	17	12.1
12	FPA-WZA201-12	17.2	11	18	13.1
13	FPA-WZA201-13	18.2	12	19	14.1
14	FPA-WZA201-14	19.2	13	20	15.1
15	FPA-WZA201-15	20.2	14	21	16.1
16	FPA-WZA201-16	21.2	15	22	17.1
17	FPA-WZA201-17	22.2	16	23	18.1
18	FPA-WZA201-18	23.2	17	24	19.1
19	FPA-WZA201-19	24.2	18	25	20.1
20	FPA-WZA201-20	25.2	19	26	21.1
21	FPA-WZA201-21	26.2	20	27	22.1
22	FPA-WZA201-22	27.2	21	28	23.1
23	FPA-WZA201-23	28.2	22	29	24.1
24	FPA-WZA201-24	29.2	23	30	25.1

RoHS Compliant

**All Connectors**

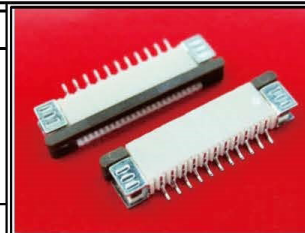
www.allconnectors.de info@allconnectors.de  
Tel.: 0049 711 7009503 Fax: 0049 711 7009504  
70794 Filderstadt - Germany Kettenerstr. 25

DRAWING BY CY  
CHECKED BY GENIUS  
UNIT/mm SCALE 1:1  
DATE  
SIZE A4

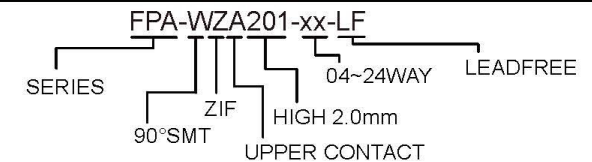
TOLERANCES ARE

X ±  
X ±  
.XX ±  
.XXX ±  
ANG ±

PJECTION



ORDER INFORMATION



DESCRIPTION: FFC/FPC Connector ZIF  
Right Angle Upper Contact Type (Pitch 1.0 mm)