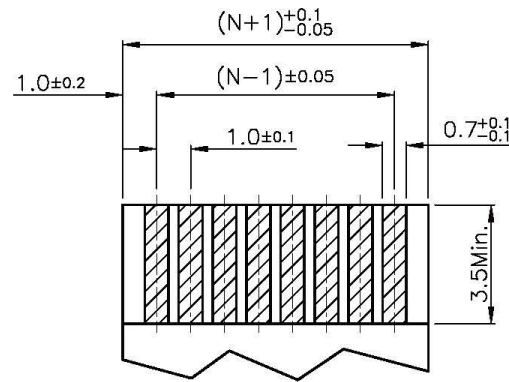
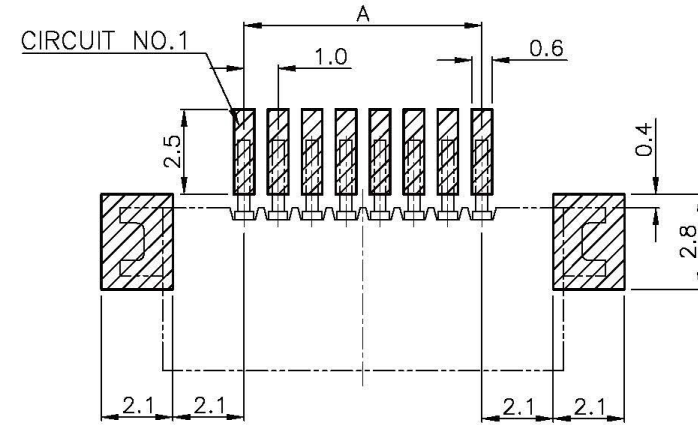


NOTES:

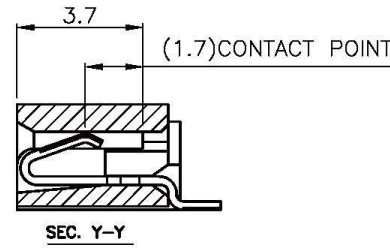
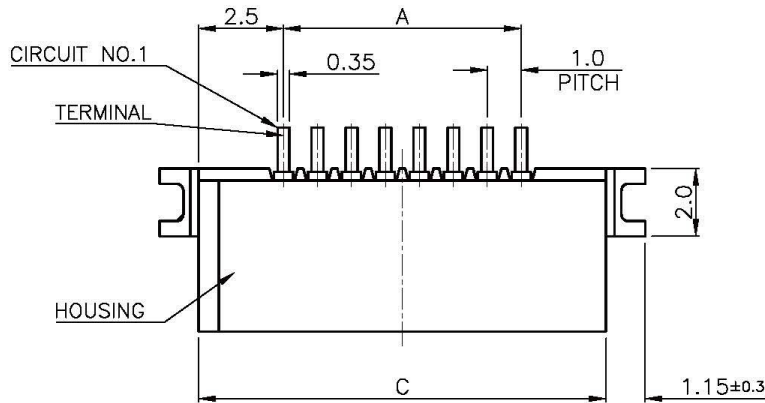
- 1. MATERIAL:
 - 1.1 HOUSING: THERMOPLASTIC, HIGH TEMP., UL94V-0.
 - 1.2 CONTACT: COPPER ALLOY
 - 1.3 FITTING NAIL: COPPER ALLOY
- 2. FINISH:
 - 2.1 CONTACT:
 - 1:50U" NICKEL OVERALL, GOLD FLASH OVERALL
 - L:50U" NICKEL OVERALL,
 - 120U" MIN. PURE TIN(MATT TIN) OVER ALL.
 - N:50U" NICKEL OVERALL,
 - 120U" MIN. MATT TIN(LEAD-FREE) OVER ALL.



APPLICABLE FPC/FFC
RECOMMENDED DIMENSION
THICKNESS 0.3±0.03

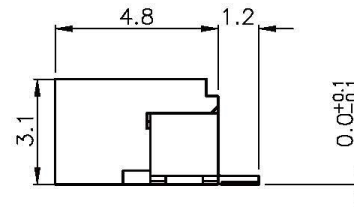
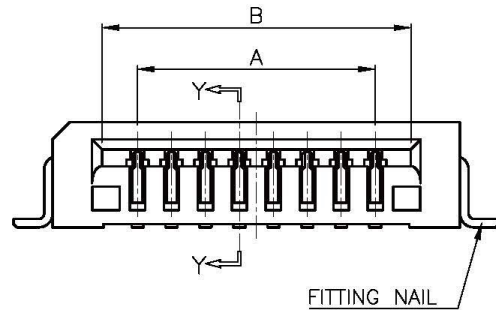


RECOMMENDED PCB LAYOUT
GENERAL TOLERANCE ±0.05



FPA-WLB31E-xx-LF
04-30WAY LEADFREE
RoHS Compliant

CKT	Dim A	Dim B	Dim C
4	3.0	5.1	8.0
5	4.0	6.1	9.0
6	5.0	7.1	10.0
7	6.0	8.1	11.0
8	7.0	9.1	12.0
9	8.0	10.1	13.0
10	9.0	11.1	14.0
11	10.0	12.1	15.0
12	11.0	13.1	16.0
13	12.0	14.1	17.0
14	13.0	15.1	18.0
15	14.0	16.1	19.0
16	15.0	17.1	20.0
17	16.0	18.1	21.0
18	17.0	19.1	22.0
19	18.0	20.1	23.0
20	19.0	21.1	24.0
21	20.0	22.1	25.0
22	21.0	23.1	26.0
23	22.0	24.1	27.0
24	23.0	25.1	28.0
25	24.0	26.1	29.0
26	25.0	27.1	30.0
27	26.0	28.1	31.0
28	27.0	29.1	32.0
29	28.0	30.1	33.0
30	29.0	31.1	34.0



RoHS Compliant

www.allconnectors.de
Tel.: 0049 711 7009503
70794 Filderstadt - Germany

info@allconnectors.de
Fax: 0049 711 7009504
Kettnerstr. 25

DRAWING BY CY
CHECKED BY GENIUS

UNIT/ mm **SCALE 1:1**

DATE **SIZE A4**

TOLERANCES ARE

X ± 0.50
X ± 0.25
.XX ± 0.15
.XXX ± 0.10
ANG ± 2°

PJECTION

ORDER INFORMATION

FPA-WLB31E-xx-LF

SERIES 90°SMT NON ZIF HIGH 3.1mm BOTTOM/CONTACT

04-30WAY LEADFREE

EAR

DESCRIPTION: 1.0mm NON ZIF FPC CONN SMT R/A (BOT. CONTACT)TYPE