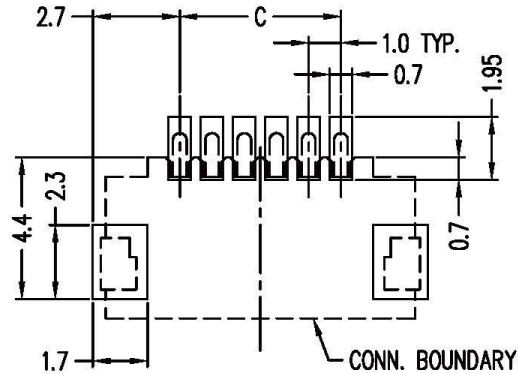


**PERFORMANCE CHARACTERISTICS**

Operating Voltage: 50 VAC Max.  
 Current Rating: 0.5 Amp Max.  
 Contact Resistance: 30 mΩ Max.  
 Insulation Resistance: 500 MΩ Min.  
 Dielectric Withstanding Voltage: 500 VAC RMS.  
 Operating Temperature: -40°C TO +85°C  
 Accommodated FFC/FPC Thickness: 0.25~0.35mm

**MATERIALS**

Insulator: High Temperature Thermoplastic  
 UL94V-0 Rated  
 Insulator Color: See Ordering Information  
 Contact: Copper Alloy  
 Me: Copper Alloy  
 Plating: See Ordering Information



(RECOMMENDED PCB LAYOUT)

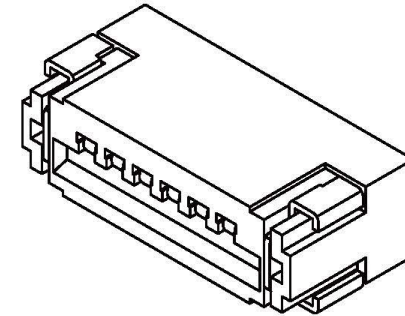
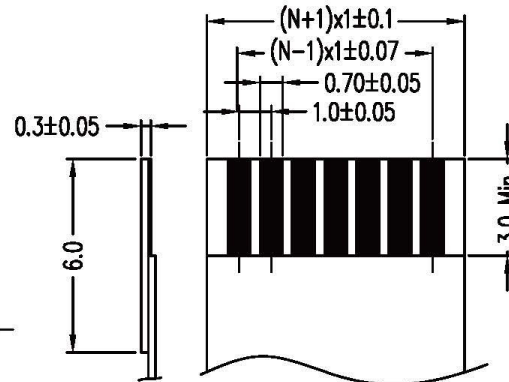
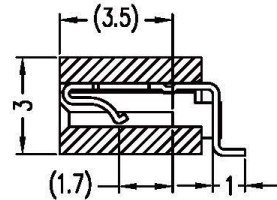
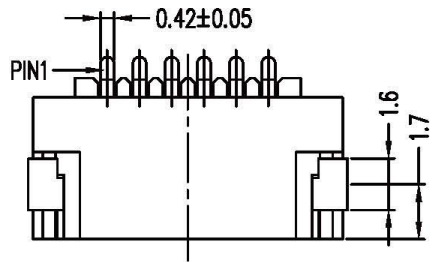
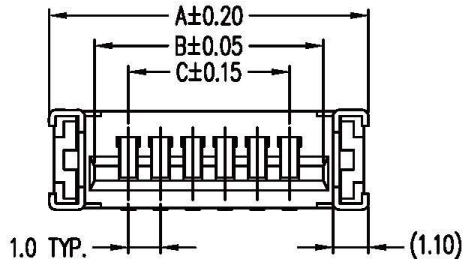


TABLE OF DIM.

| POS. | A     | B     | C     | POS. | A     | B     | C     |
|------|-------|-------|-------|------|-------|-------|-------|
| 3    | 7.00  | 4.15  | 2.00  | 18   | 22.00 | 19.15 | 17.00 |
| 4    | 8.00  | 5.15  | 3.00  | 19   | 23.00 | 20.15 | 18.00 |
| 5    | 9.00  | 6.15  | 4.00  | 20   | 24.00 | 21.15 | 19.00 |
| 6    | 10.00 | 7.15  | 5.00  | 21   | 25.00 | 22.15 | 20.00 |
| 7    | 11.00 | 8.15  | 6.00  | 22   | 26.00 | 23.15 | 21.00 |
| 8    | 12.00 | 9.15  | 7.00  | 23   | 27.00 | 24.15 | 22.00 |
| 9    | 13.00 | 10.15 | 8.00  | 24   | 28.00 | 25.15 | 23.00 |
| 10   | 14.00 | 11.15 | 9.00  | 25   | 29.00 | 26.15 | 24.00 |
| 11   | 15.00 | 12.15 | 10.00 | 26   | 30.00 | 27.15 | 25.00 |
| 12   | 16.00 | 13.15 | 11.00 | 27   | 31.00 | 28.15 | 26.00 |
| 13   | 17.00 | 14.15 | 12.00 | 28   | 32.00 | 29.15 | 27.00 |
| 14   | 18.00 | 15.15 | 13.00 | 29   | 33.00 | 30.15 | 28.00 |
| 15   | 19.00 | 16.15 | 14.00 | 30   | 34.00 | 31.15 | 29.00 |
| 16   | 20.00 | 17.15 | 15.00 | 31   | 35.00 | 32.15 | 30.00 |
| 17   | 21.00 | 18.15 | 16.00 | 32   | 36.00 | 33.15 | 31.00 |



N=NUMBER OF CONTACTS  
 (APPLICABLE FPC/FPC)



**All Connectors**

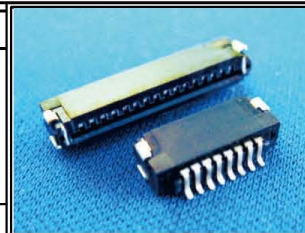
www.allconnectors.de info@allconnectors.de  
 Tel.: 0049 711 7009503 Fax: 0049 711 7009504  
 70794 Filderstadt - Germany Kettnerstr. 25

**RoHS Compliant**

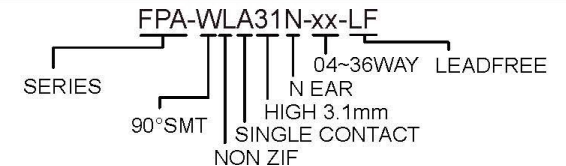
DRAWING BY CY  
 CHECKED BY GENIUS  
 UNIT/mm SCALE 1:1  
 DATE  
 SIZE A4 PROJECTION

TOLERANCES ARE

X ±  
 .X ±  
 .XX ±  
 .XXX ±  
 ANG ±



ORDER INFORMATION



DESCRIPTION: