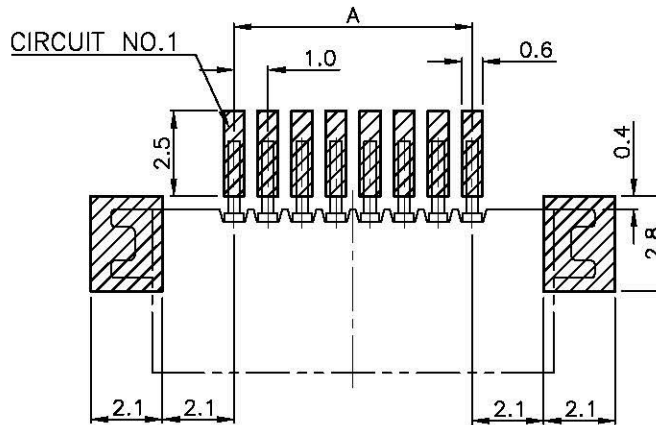
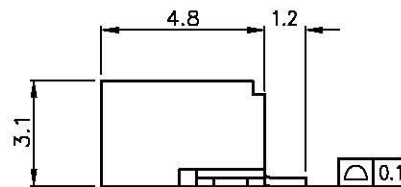
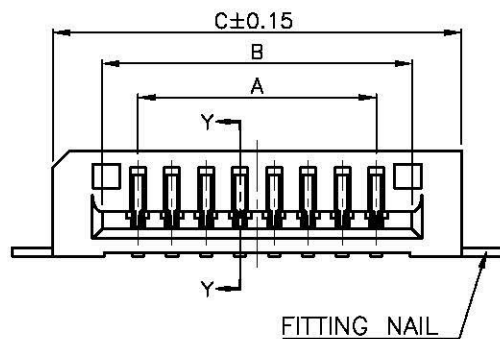
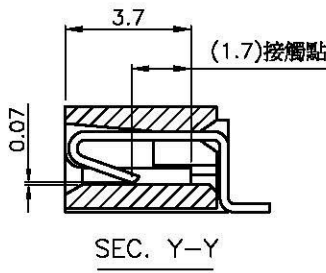
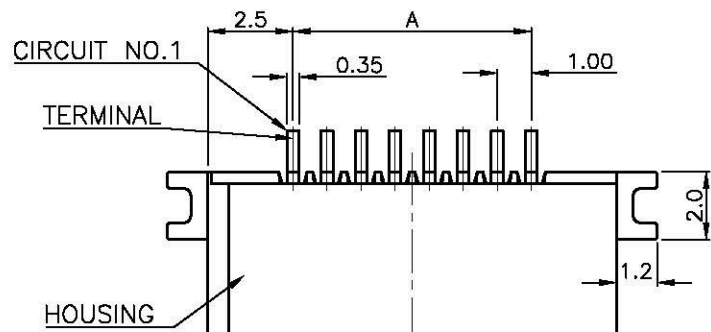


APPLICABLE FPC/FFC
RECOMMENDED DIMENSION
THICKNESS 0.3±0.03



RECOMMENDED PCB LAYOUT
GENERAL TOLERANCE ±0.05



NOTES:

1. MATERIAL:

- 1.1 HOUSING: THERMOPLASTIC, HIGH TEMP., UL94V-0.
- 1.2 CONTACT: COPPER ALLOY
- 1.3 FITTING NAIL: COPPER ALLOY

2. FINISH:

2.1 CONTACT:

- 1:50u" MIN NICKEL OVERALL, Gold Flash overall
- L:50u" MIN NICKEL OVERALL,
- 120u" MIN. Pure Tin(Lead-Free) OVER ALL.
- N:50u" MIN NICKEL OVERALL,
- 120u" MIN. Matt Tin(Lead-Free) OVER ALL.

CKT	Dim A	Dim B	Dim C	CKT	Dim A	Dim B	Dim C
4	3.0	5.1	8.0	18	17.0	19.1	22.0
5	4.0	6.1	9.0	19	18.0	20.1	23.0
6	5.0	7.1	10.0	20	19.0	21.1	24.0
7	6.0	8.1	11.0	21	20.0	22.1	25.0
8	7.0	9.1	12.0	22	21.0	23.1	26.0
9	8.0	10.1	13.0	23	22.0	24.1	27.0
10	9.0	11.1	14.0	24	23.0	25.1	28.0
11	10.0	12.1	15.0	25	24.0	26.1	29.0
12	11.0	13.1	16.0	26	25.0	27.1	30.0
13	12.0	14.1	17.0	27	26.0	28.1	31.0
14	13.0	15.1	18.0	28	27.0	29.1	32.0
15	14.0	16.1	19.0	29	28.0	30.1	33.0
16	15.0	17.1	20.0	30	29.0	31.1	34.0
17	16.0	18.1	21.0				

FPA-WLA31ER-xx-LF
LEADFREE
04-30WAY
RoHS Compliant

All Connectors

www.allconnectors.de
Tel.: 0049 711 7009503
70704 Filderstadt - Germany

info@allconnectors.de
Fax: 0049 711 7009504
Kettnerstr. 25

PART NO. FPA-WLA31ER-xx

DWG NO. FPA-WLA31ER-xx

FILE NO.

UNIT / mm

SCALE 1:1

CHECKED BY CY

DRAWING BY

PROJECTION

TOLERANCES ARE

- X ± 0.5
- X ± 0.25
- .XX ± 0.15
- .XXX ± 0.1
- ANG ± 2°

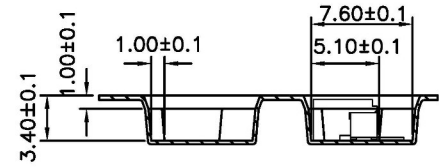
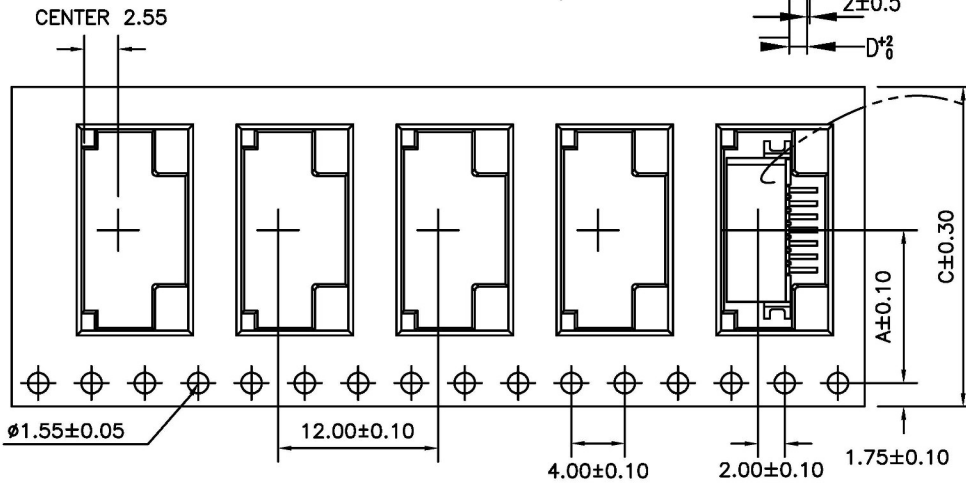
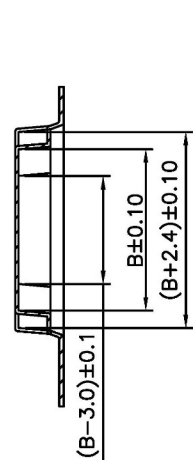
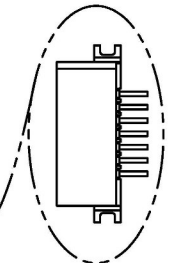
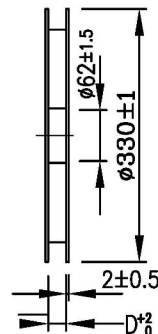
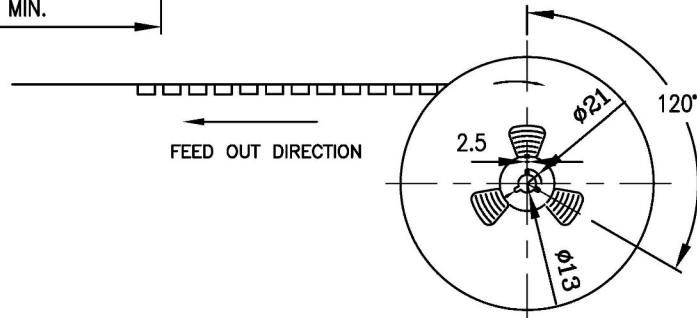
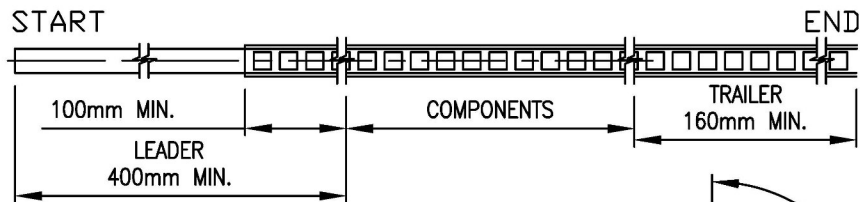
DESCRIPTION:

1.0mm NON ZIF FPC CONN
SMT R/A TOP CONTACT TYPE

AREA

REVISIONS

DATE



CKT.	A	B	C	D
3		7.30		
4		8.30		
5		9.30		
6	11.50	10.30	24.00	24.00
7		11.30		
8		12.30		
9		13.30		
10		14.30		

- NOTES:
1. 10 SPROCKET HOLE PITCH CUMULATIVE TOLERANCE. ±0.20mm
 2. CARRIER CAMBER NOT TO EXCEED 1mm IN 100mm.
 3. ALL DIMENSIONS MEET EIA-481-C REQUIREMENTS.
 4. MATERIAL: BLACK CONDUCTIVE POLYSTYRENE.
 5. THICKNESS: 0.35±0.05 mm.
 6. PACKING LENGHT PER 13" REEL : 19.0 METERS.
 7. COMPONENT LOAD PER 13" REEL : 1500 PCS.

All connectors

www.allconnectors.de info@allconnectors.de
 Tel.: 0049 711 7009503 Fax: 0049 711 7009504
 70794 Fildefstadt - Germany Kettmerstr. 25

PART NO. FPA-WLA31ER-xx

DWG NO. FPA-WLA31ER-xx

FILE NO.

UNIT / mm

CHECKED BY CY

DRAWING BY

PROJECTION

SCALE 1:1

TOLERANCES ARE

- X ± 0.5
- .X ± 0.25
- .XX ± 0.15
- .XXX ± 0.10
- ANG ± 2°

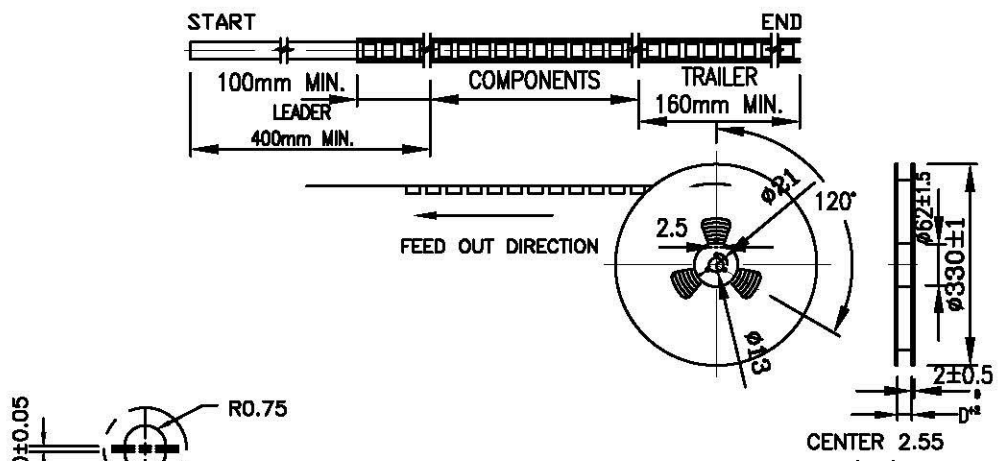
DESCRIPTION:

AREA

**1.0mm NON ZIF FPC CONN
 SMT R/A (TOP CONTACT)TYPE**

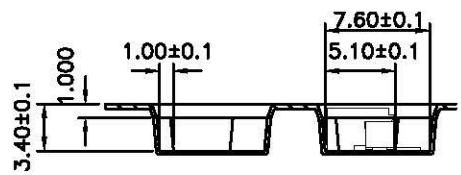
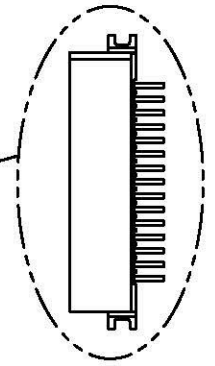
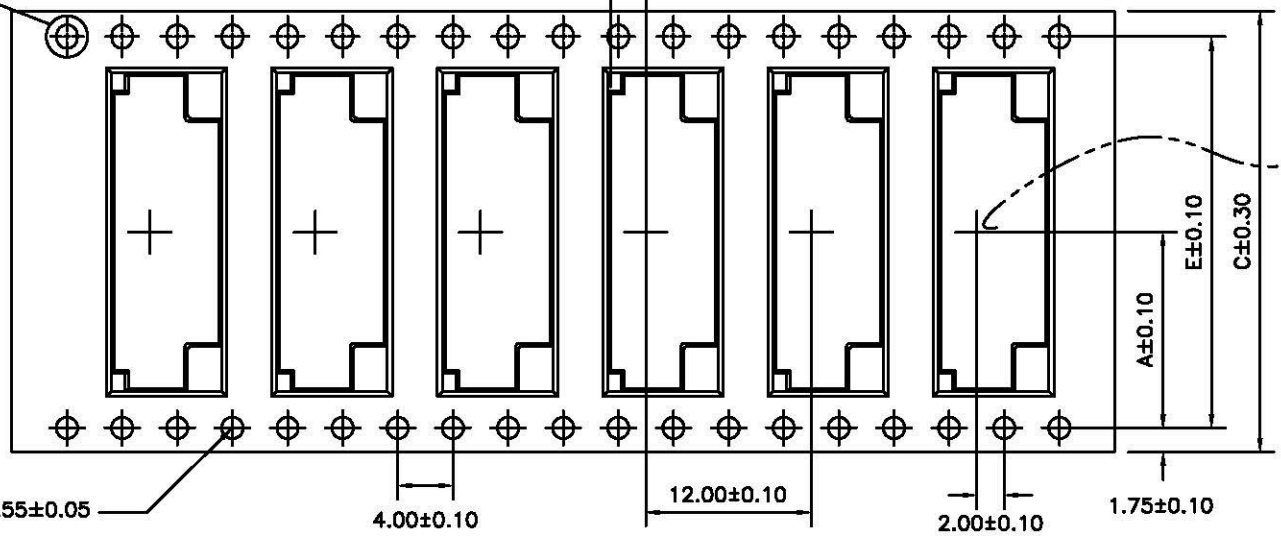
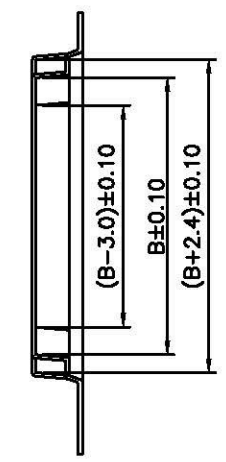
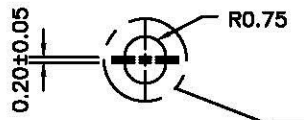
REVISIONS

DATE



- NOTES:
1. 10 SPROCKET HOLE PITCH CUMULATIVE TOLERANCE: ±0.20mm
 2. CARRIER CAMBER NOT TO EXCEED 1mm IN 100mm.
 3. ALL DIMENSIONS MEET EIA-481-C REQUIREMENTS.
 4. MATERIAL: BLACK CONDUCTIVE POLYSTYRENE.
 5. THICKNESS: 0.35±0.05 mm.
 6. PACKING LENGTH PER 13" REEL : 19.0 METERS.
 7. COMPONENT LOAD PER 13" REEL : 1500 PCS.

CKT.	A	B	C	D	E
11		15.30			
12	14.2±0.10	16.30			
13		17.30	32.00	32.00	28.40
14		18.30			
15		19.30			
16		20.30			
17		21.30			
18		22.30			
19		23.30			
20	20.2±0.10	24.30	44.00	44.40	40.40
21		25.30			
22		26.30			
23		27.30			
24		28.30			
25		29.30			
26		30.30			
27		31.30			
28	26.2±0.10	32.30	56.00	56.40	52.40
29		33.30			
30		34.30			



Allconnectors

www.allconnectors.de
 Tel.: 0049 711 7079500
 70794 Filzbergstraße - Germany

info@allconnectors.de
 Fax: 0049 711 7079504
 Kettlersstr. 25

PART NO. FPA-WLA31ER-xx

DWG NO. FPA-WLA31ER-xx

FILE NO.

UNIT / mm

SCALE 1:1

CHECKED BY CY

DRAWING BY

PROJECTION

TOLERANCES ARE

- X ± 0.5
- X ± 0.25
- .XX ± 0.15
- .XXX ± 0.10
- ANG ± 2°

DESCRIPTION:

AREA

1.0mm NON ZIF FPC CONN
 SMT R/A (TOP CONTACT)TYPE

REVISIONS

DATE