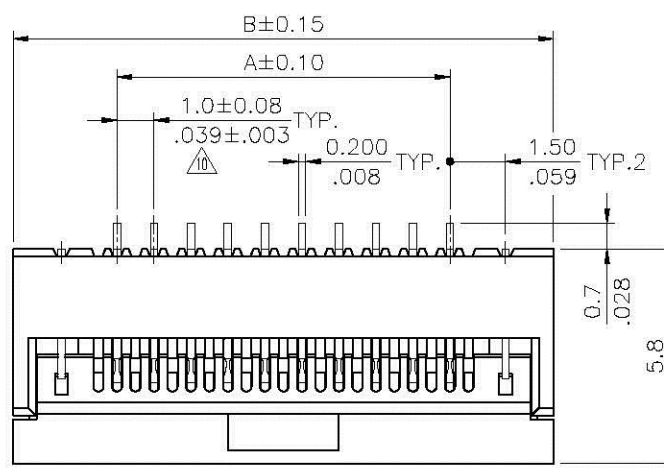
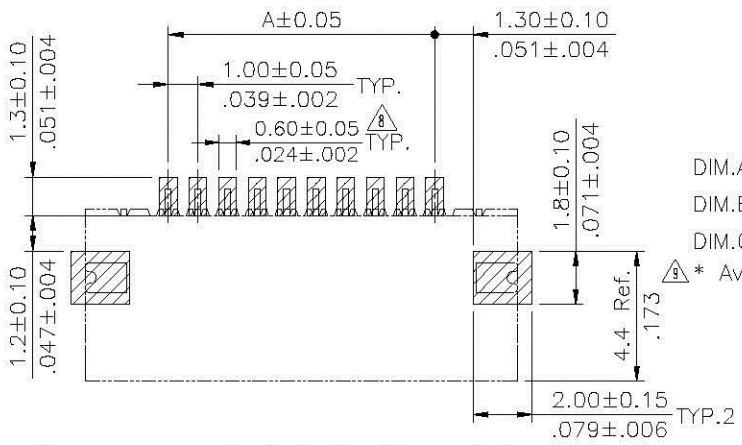
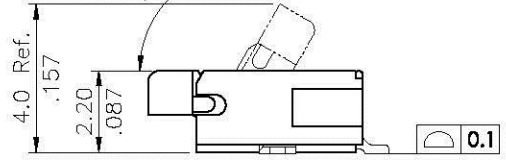
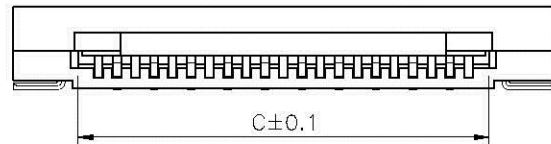
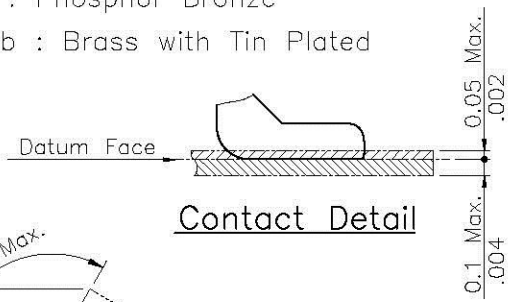


1 2 3 4 5 6 7 8 9 0

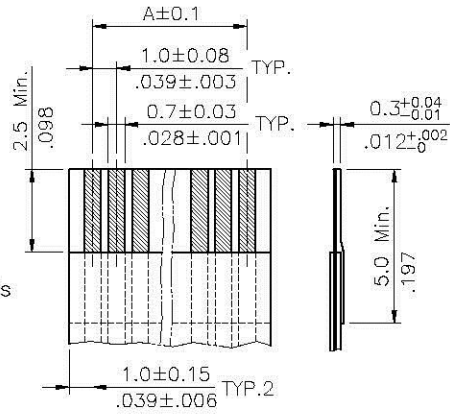
J  
I  
H  
G  
F  
E  
D  
C  
B  
A



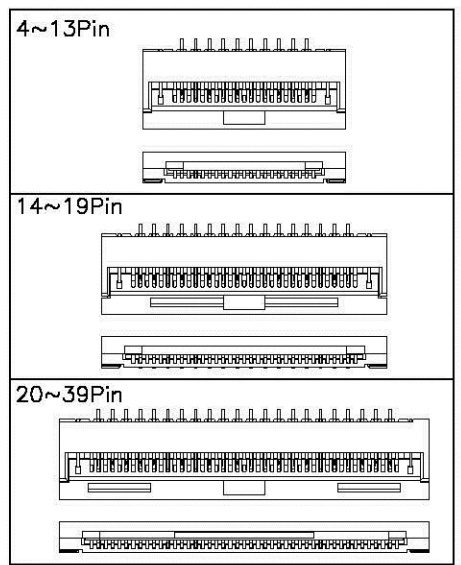
Material :  
 \* Body : PA6T or PA9T With 30% GF. UL 94V-0  
 Color Nature(Ivory)  
 \* Slider : PA6T or PA9T With 30% GF. UL 94V-0  
 Color Black  
 \* Contact : Phosphor Bronze  
 \* Fixed tab : Brass with Tin Plated



DIM.A = 1.00 x No. of Spaces  
 DIM.B = DIM.A + 5.6  
 DIM.C = DIM.A + 2.1  
 \* Available in 4 through 39 circuits



FPA-WHB221-xx-LF  
 LEADFREE  
 RoHS Compliant



Recommended P.C. Board Layout

Accommodated FFC/FPC

**All Connectors**

www.allconnectors.com  
 info@allconnectors.com  
 Tel.: 0049 711 7079503  
 Fax: 0049 711 7079504  
 70794 Rilderstadt - Germany  
 Kettnerstr. 25

|                        |           |               |  |                                    |  |              |  |    |  |      |  |
|------------------------|-----------|---------------|--|------------------------------------|--|--------------|--|----|--|------|--|
| PART NO. FPA-WHB221-xx |           | CHECKED BY CY |  | TOLERANCES ARE                     |  | DESCRIPTION: |  |    |  |      |  |
| DWG NO. FPA-WHB221-xx  |           | DRAWING BY    |  | .X ± 0.2<br>.XX ±<br>.XXX ±<br>AWG |  |              |  |    |  |      |  |
| FILE NO.               |           | PROJECTION    |  | AREA                               |  | REVISIONS    |  | HK |  | DATE |  |
| UNIT / mm              | SCALE 1:1 |               |  |                                    |  |              |  |    |  |      |  |