

NO. OF CONTACTS
4 PIN~14 PIN

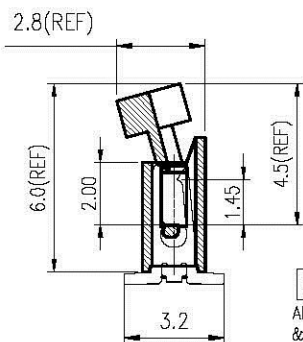
MATERIAL

HOUSING: HIGH-TEMP 94V-0, COLOR: NATURAL.
 ACTUATOR: HIGH-TEMP 94V-0, COLOR: BLACK.
 CONTACT: COPPER ALLOY.
 PLATING: ALL TIN, LEAD FREE OR ALL GOLD
 HOLDDOWN: COPPER ALLOY. PLATING: ALL TIN, LEAD FREE.
 CAP: COPPER ALLOY. PLATING: NI.

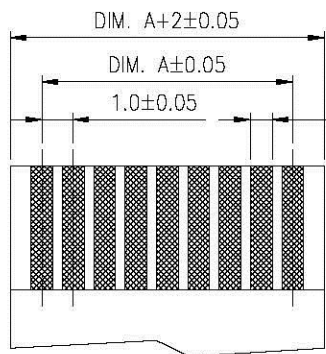
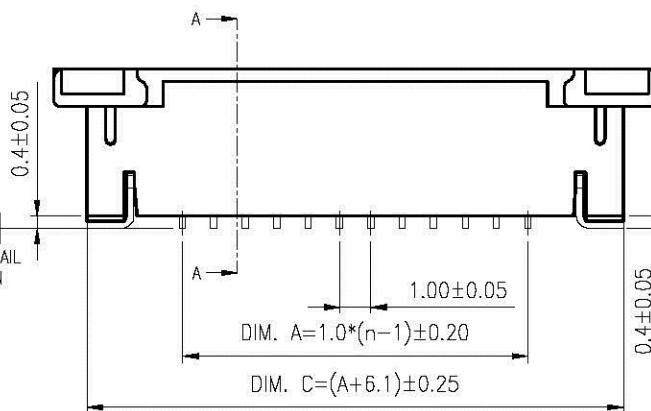
DIMENSION TABLE

Circuits	Dimension				
	A	B	C	D	E
4	3.00	5.10	9.10	11.20	10.40
5	4.00	6.10	10.10	12.20	11.40
6	5.00	7.10	11.10	13.20	12.40
7	6.00	8.10	12.10	14.20	13.40
8	7.00	9.10	13.10	15.20	14.40
9	8.00	10.10	14.10	16.20	15.40
10	9.00	11.10	15.10	17.20	16.40
11	10.00	12.10	16.10	18.20	17.40
12	11.00	13.10	17.10	19.20	18.40
13	12.00	14.10	18.10	20.20	19.40
14	13.00	15.10	19.10	21.20	20.40

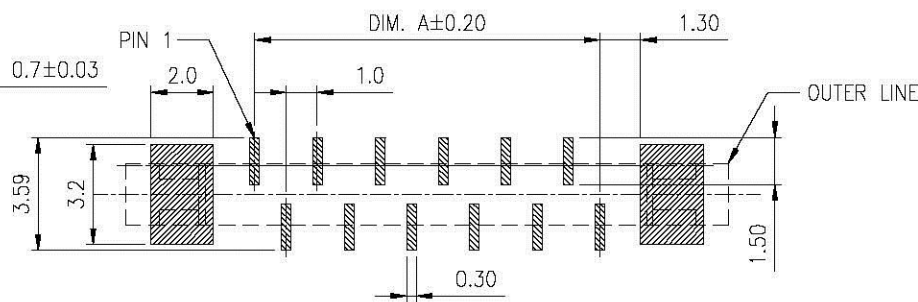
FPA-VZAR47-xx-LF
 LEADFREE
 RoHS Compliant



SECTION A-A



FFC/FPC DIMENSION
 THICKNESS 0.30 ± 0.03mm



RECOMMENDED PCB LAYOUT
 TOLERANCE: ±0.05

All connectors

www.allconnectors.de
 Tel.: 0049 711 7069503
 70724 Hilderstadt - Germany

info@allconnectors.de
 Fax: 0049 711 7069504
 Kettnerstr. 25

PART NO. FPA-VZAR47-xx

DWG NO. FPA-VZAR47-xx

FILE NO.

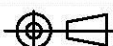
UNIT / mm

SCALE 1:1

CHECKED BY CY

DRAWING BY

PROJECTION



TOLERANCES ARE

.X ± 0.2
 .XX ±
 .XXX ±
 AWG

DESCRIPTION:

FPC/FFC 1.0 PITCH CONNECTOR, ZIF SMT TYPE
 BODY WIDTH 2.0 mm

AREA

REVISIONS

HK

DATE