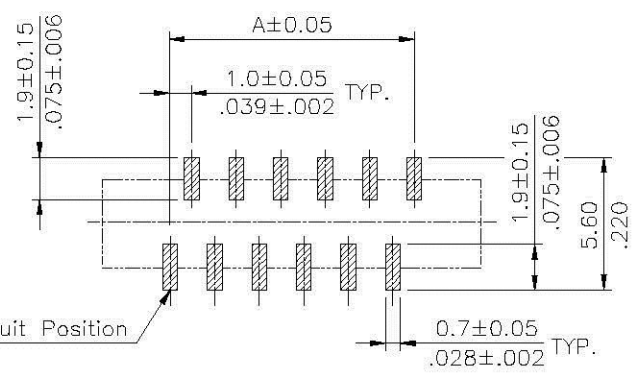
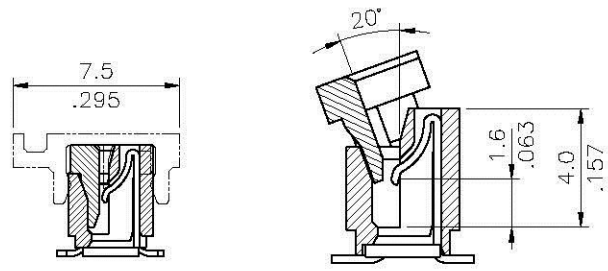
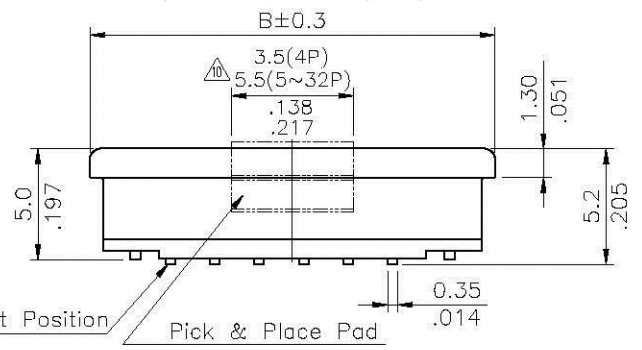
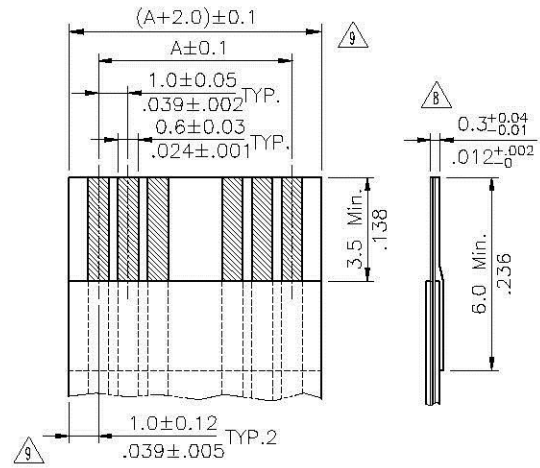


Material:
 * Insulation: Nylon 6T UL 94V-0
 Color Nature
 * Slider: Nylon 6T UL 94V-0, Color Brown
 * Contact: Phosphor Bronze
 * PAD: Nylon 6T UL 94V-0, Color Nature

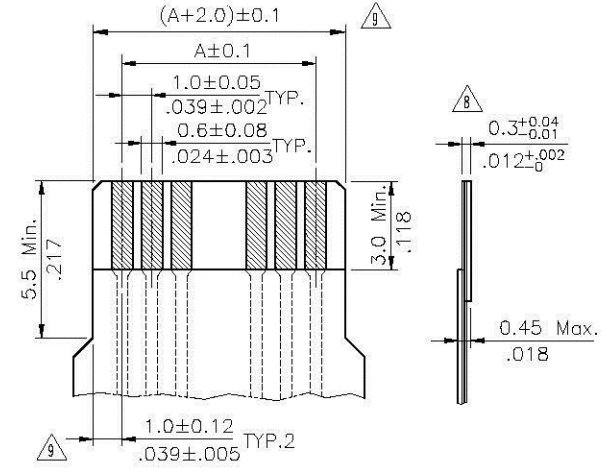
A = 1.00 * No. of Spaces
 B = A + 7.2
 C = A + 2.1
 * Available in 4 through 32 circuits



Recommended P.C. Board Layout



* ACCOMMODATED FFC



* ACCOMMODATED FPC

Allconnectors

www.allconnectors.de
 info@allconnectors.de
 70794 Filzschwab, Germany

PART NO. FPA-VZAL52CR-xx

DWG NO. FPA-VZAL52CR-xx

FILE NO.

UNIT / mm

SCALE 1:1

CHECKED BY CY

DRAWING BY

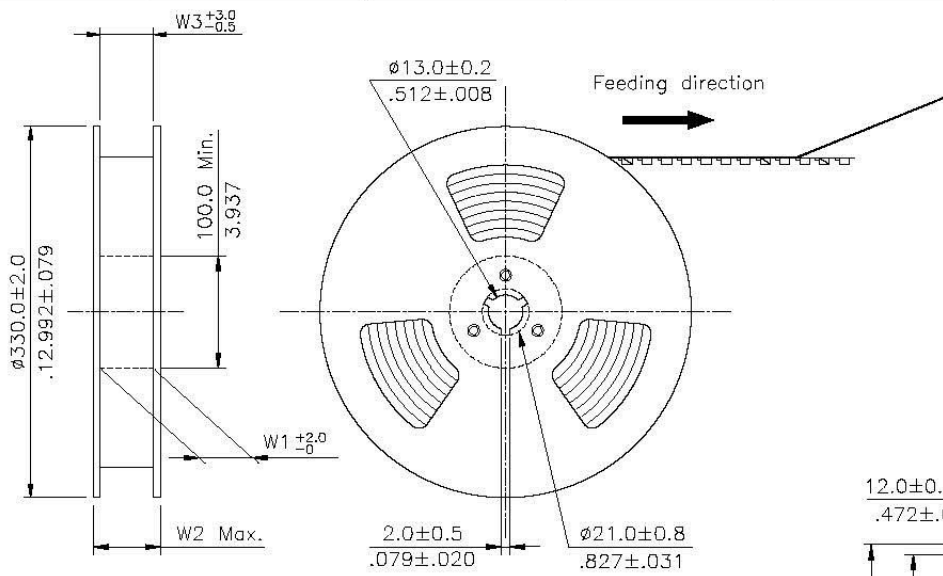
PROJECTION

TOLERANCES ARE

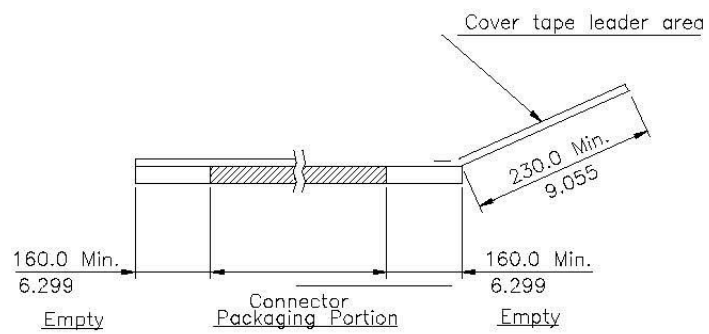
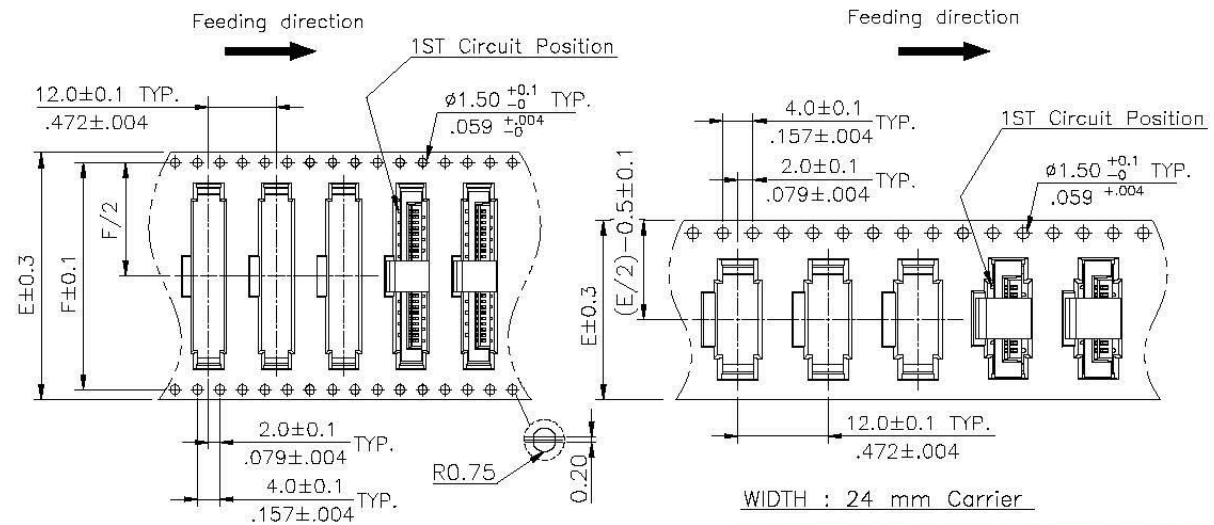
.X ± 0.2
 .XX ±
 .XXX ±
 AWG

DESCRIPTION:

AREA	REVISIONS	HK	DATE
------	-----------	----	------



- NOTE :
- * Reel Material : HIPS
 - * Carrier Material : Clear, Conductive Polystyrene Alloy
 - * Cover Tape Material : Polyester
 - * Cover Tape Peel Strength : 0.1N – 1.3N
 - * Carrier camber is within 1mm in 250mm
 - * All dimensions meet EIA-481-B requirements.
 - * Quantity : 800 PCS/Reel



WIDTH : 32, 44 & 56 mm Carrier

WIDTH : 24 mm Carrier



Circuits	Dimension					Packing (Reel/Carton)
	E	F	W1	W2	W3	
5~10	24.0(.945)	-	24.5(.965)	30.5(1.201)	24.5(.965)	9
11~15	32.0(1.260)	28.40(1.118)	32.5(1.280)	38.5(1.516)	32.5(1.280)	7
16~26	44.0(1.732)	40.40(1.591)	44.5(1.752)	50.5(1.988)	44.5(1.752)	5
27~32	56.0(2.205)	52.40(2.063)	56.5(2.224)	62.5(2.461)	56.5(2.224)	3

Allconnectors

www.allconnectors.de
Toll.: 0049 711 7003503
20794 Filderstadt Germany

info@allconnectors.de
Fax: 0049 711 7003504
Kettnerstr. 25

PART NO. FPA-VZAL52CR-xx

DWG NO. FPA-VZAL52CR-xx

CHECKED BY CY

DRAWING BY

TOLERANCES ARE

X±0.2
.XX±
.XXX±
AWG

DESCRIPTION:

UNIT / mm

SCALE 1:1

PROJECTION

AREA

REVISIONS

HK

DATE