

NOTE:

1. MATERIAL:

HOUSING: THERMOPLASTIC
 SLIDER: THERMOPLASTIC
 CONTACTS: COPPER ALLOY
 SOLDER PAD: COPPER ALLOY

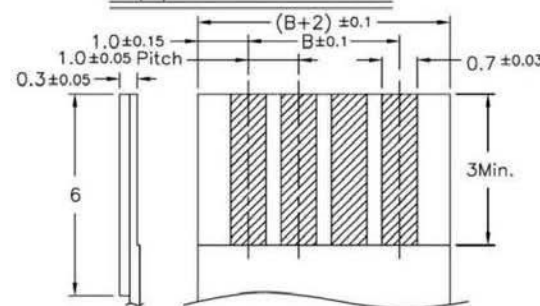
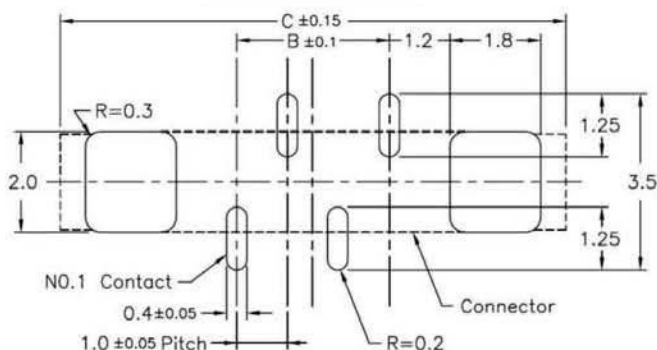
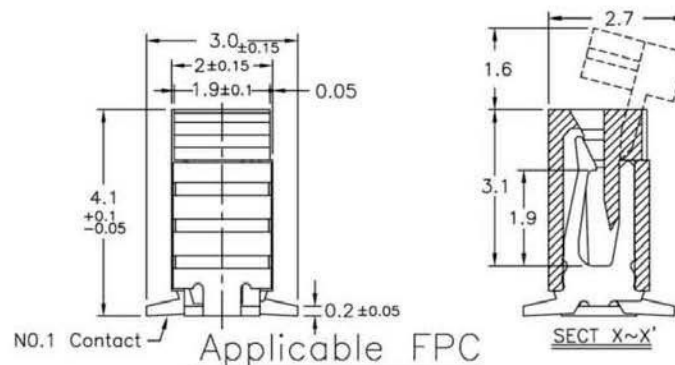
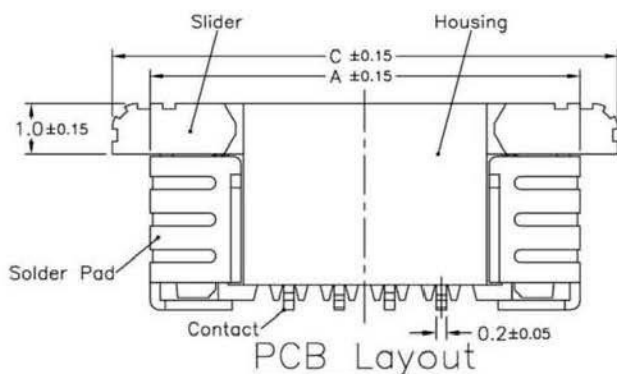
2. PLATING:

CONTACTS: SEE ORDERING INFORMATION
 SOLDER PAD: SEE ORDERING INFORMATION

3. RATING:

OPERATING VOLTAGE: 50V
 CURRENT RATING: 0.5A
 OPERATING TEMPERATURE: -55°C ~ +85°C

No. of Contacts	Part Number	DIM. A	DIM. B	DIM. C	DIM. D
4	FPA-VZAL41-04	8.5	3	10	5.1
5	FPA-VZAL41-05	9.5	4	11	6.1
6	FPA-VZAL41-06	10.5	5	12	7.1
7	FPA-VZAL41-07	11.5	6	13	8.1
8	FPA-VZAL41-08	12.5	7	14	9.1
9	FPA-VZAL41-09	13.5	8	15	10.1
10	FPA-VZAL41-10	14.5	9	16	11.1
11	FPA-VZAL41-11	15.5	10	17	12.1
12	FPA-VZAL41-12	16.5	11	18	13.1
13	FPA-VZAL41-13	17.5	12	19	14.1
14	FPA-VZAL41-14	18.5	13	20	15.1
15	FPA-VZAL41-15	19.5	14	21	16.1
16	FPA-VZAL41-16	20.5	15	22	17.1
17	FPA-VZAL41-17	21.5	16	23	18.1
18	FPA-VZAL41-18	22.5	17	24	19.1
19	FPA-VZAL41-19	23.5	18	25	20.1
20	FPA-VZAL41-20	24.5	19	26	21.1
21	FPA-VZAL41-21	25.5	20	27	22.1
22	FPA-VZAL41-22	26.5	21	28	23.1
23	FPA-VZAL41-23	27.5	22	29	24.1
24	FPA-VZAL41-24	28.5	23	30	25.1



All Connectors

www.allconnectors.de
 Tel.: 0049 711 7009504
 70794 Gilderstedt - Germany

info@allconnectors.de
 Fax: 0049 711 7009504
 Kette-menstr. 25

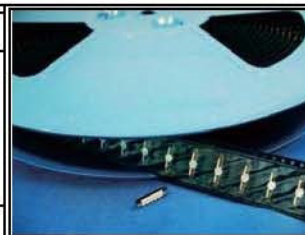
RoHS Compliant

DRAWING BY CY
CHECKED BY GENIUS
UNIT / mm **SCALE 1:1**
DATE
SIZE A4

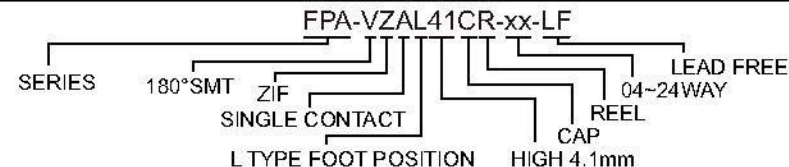
TOLERANCES ARE

X ±
 XX ±
 XXX ±
 ANG ±

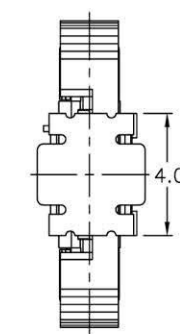
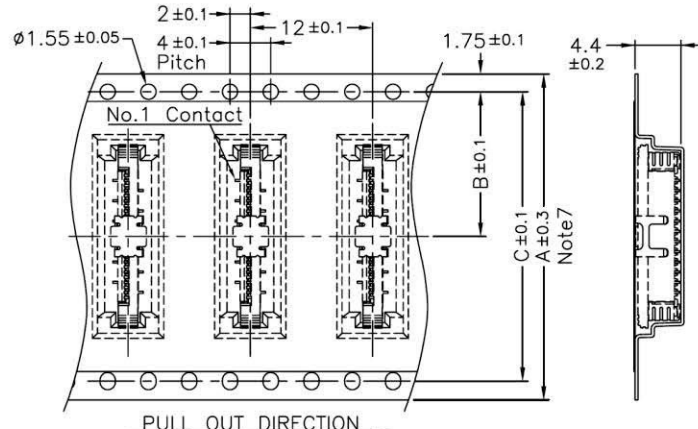
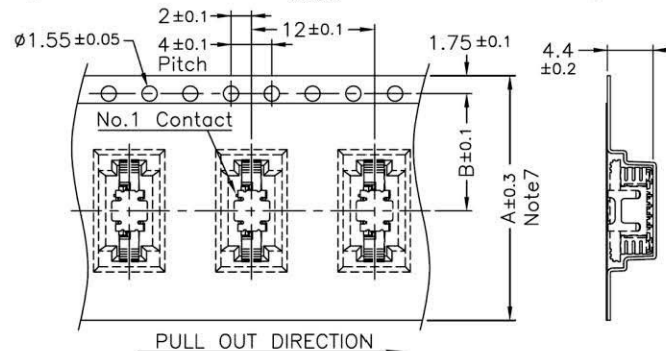
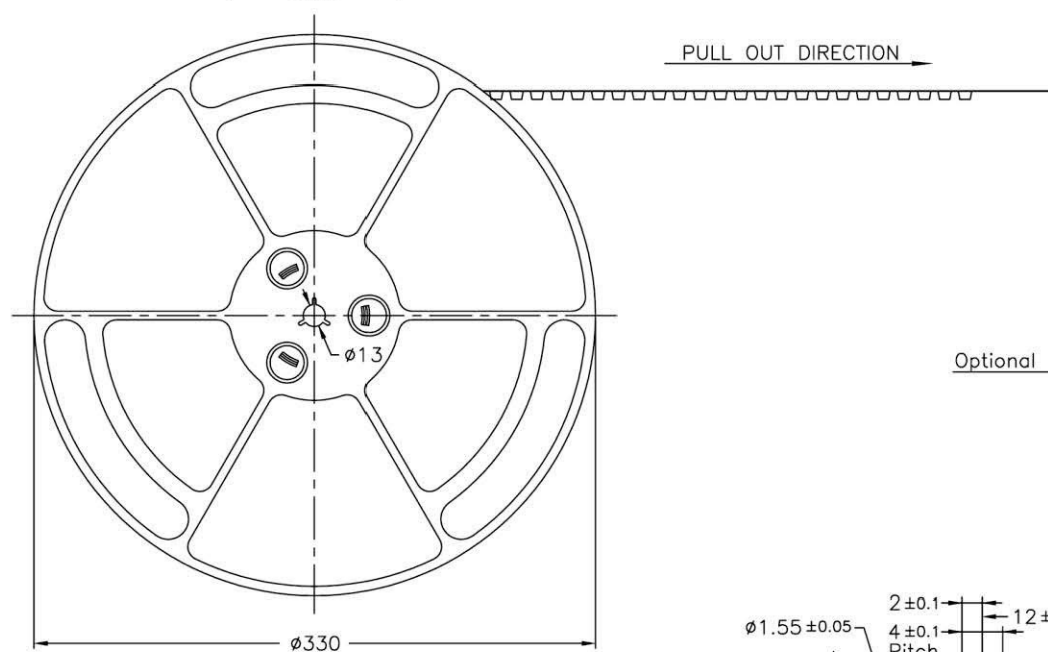
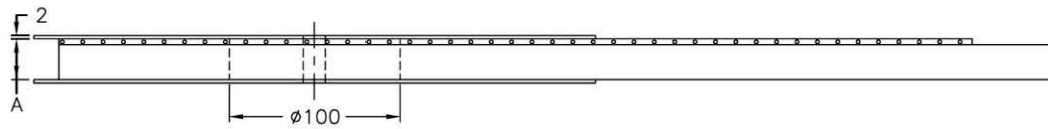
PROJECTION



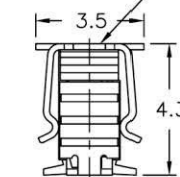
ORDER INFORMATION



DESCRIPTION:



Optional vacuum cap for robotic placement



- Note:
- 1.10 sprocket hole pitch cumulative tolerance ± 0.2
 2. Carrier camber is within 1 mm in 100mm.
 3. Material : Black Conductive Polystyrene Alloy
100% recyclable.
 4. All dimensions meet EIA-481-B requirements.
 5. Thickness : 0.3 ± 0.05 mm
 6. Component load per 13" reel : 1000 pcs.
 7. For tape width (dimension A) 24mm a pilot hole is provided on one side.
For tape width (dimension A) 32mm and 44mm pilot holes are provided on both sides.

No. of Contacts	DIM. A Note 7	DIM. B	DIM. C
4	24	11.5	—
11			
12	32	14.2	28.4
16			
17	44	20.2	40.4
24			

All Connectors

www.allconnectors.de
Tel.: 0049 711 7005503
70794 Filzschtein - Germany

info@allconnectors.de
Fax: 0049 711 7005504
Kettenerstr. 25

RoHS Compliant

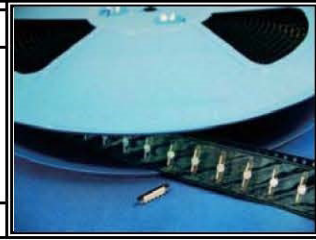
DRAWING BY CY
CHECKED BY GENIUS

UNIT/mm SCALE 1:1

DATE

SIZE A4 PROJECTION

TOLERANCES ARE
X ±
.X ±
.XX ±
.XXX ±
ANG ±



ORDER INFORMATION

FPA-VZAL41CR-xx-LF

SERIES 180°SMT ZIF SINGLE CONTACT L TYPE FOOT POSITION

LEAD FREE 04~24WAY REEL CAP HIGH 4.1mm

DESCRIPTION: