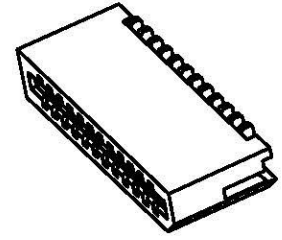
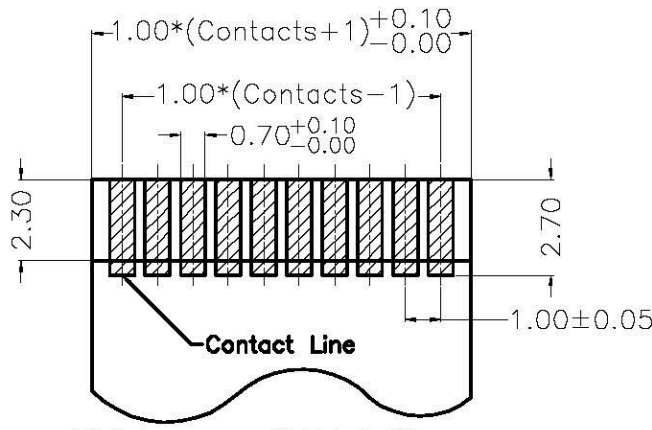
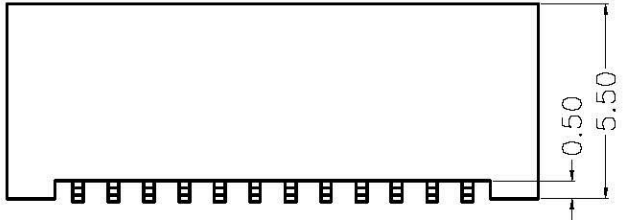
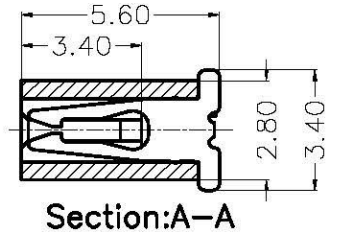
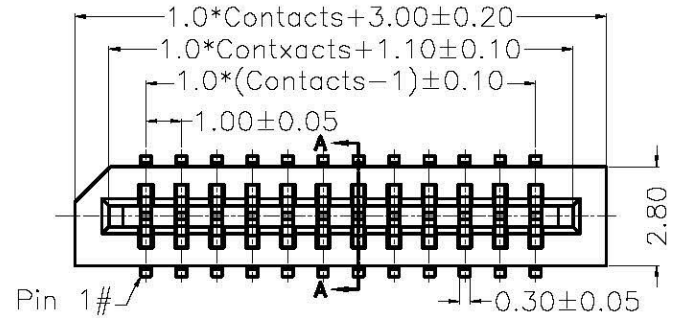


1 2 3 4 5 6 7 8 9 0

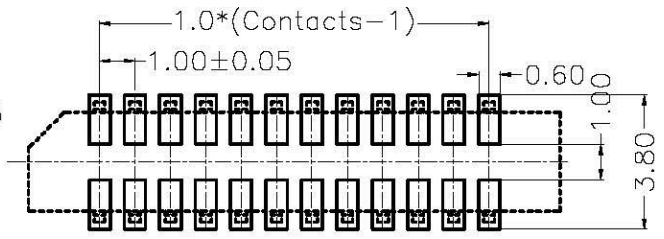
J  
I  
H  
G  
F  
E  
D  
C  
B  
A



**Specifications:**  
 Current Rating: 0.5 Amps  
 Voltage Rating: 50V AC/DC  
 Contact Resistance: 20m Ohm Max  
 Insulator Resistance: 100M Ohm Min  
 Dielectric Withstanding Voltage: 500V R.m.s (for one minute)  
 Operating Temperature Range: -20°C ~ +85°C  
 Material:  
 Contact: Copper Alloy  
 Plastic: Thermoplastic UL94V-0  
 Plating: Tin plating



Thickness: 0.3±0.05mm.  
 FPC Dimension (Reference)



PCB LAYOUT

**Allconnectors**  
 www.allconnectors.de  
 info@allconnectors.de  
 70794 Filderstadt, Germany

PART NO. FPA-VL22-xx		CHECKED BY CY		TOLERANCES ARE .X±0.2 .XX± .XXX± AWG	DESCRIPTION: 1.0mm SMD FPC Connector Vertical Entry Double Contact	AREA	REVISIONS	HK	DATE
DWG NO. FPA-VL22-xx		DRAWING BY							
FILE NO.		PROJECTION							
UNIT / mm	SCALE 1:1								