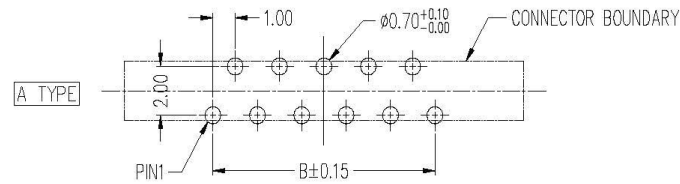
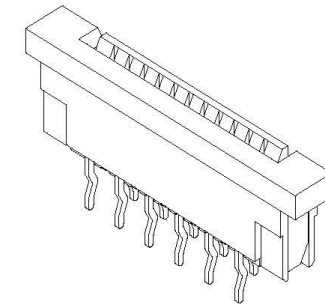
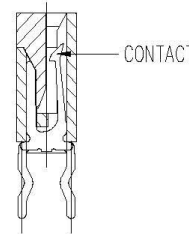
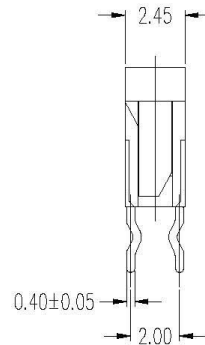
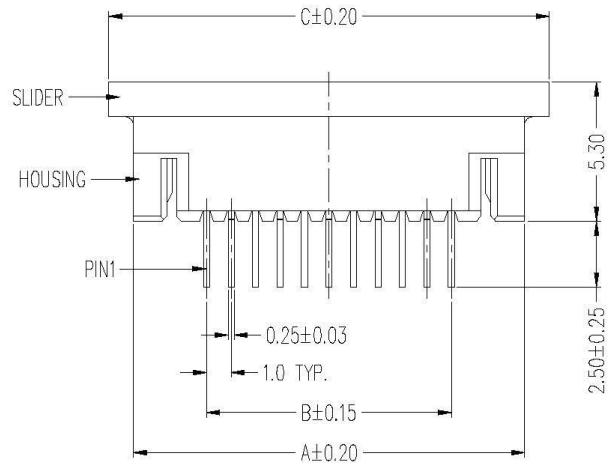


**PERFORMANCE CHARACTERISTICS**

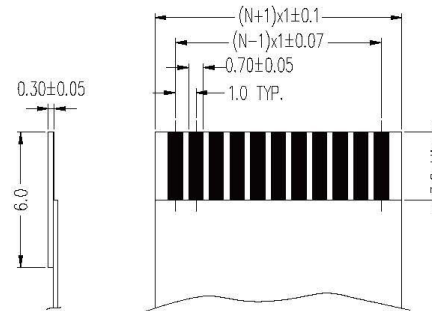
Operating Voltage: 100 VAC Max.  
 Current Rating: 0.5 Amp Max.  
 Contact Resistance: 30 mΩ Max.  
 Insulation Resistance: 500 MΩ Min.  
 Dielectric Withstanding Voltage: 500 VAC RMS.  
 Operating Temperature: -40°C TO +85°C  
 Accommodated FFC/FPC Thickness: 0.25~0.35mm

**MATERIAL**

Insulator: LCP;UL94V-0 Rated.  
 (COLOR : IVORY)  
 Slider: PPS;UL94V-0 Rated.  
 (COLOR : BLACK)  
 Terminal: Phosphor Bronze  
 Plating: Tin Alloy plated



(RECOMMENDED PCB LAYOUT)



N=NUMBER OF CONTACTS  
 (APPLICABLE FPC/FFC)

DIM. TABLE

19	24.00	18.00	26.00	20.15					
18	23.00	17.00	25.00	19.15	34	39.00	33.00	41.00	35.15
17	22.00	16.00	24.00	18.15	33	38.00	32.00	40.00	34.15
16	21.00	15.00	23.00	17.15	32	37.00	31.00	39.00	33.15
15	20.00	14.00	22.00	16.15	31	36.00	30.00	38.00	32.15
14	19.00	13.00	21.00	15.15	30	35.00	29.00	37.00	31.15
13	18.00	12.00	20.00	14.15	29	34.00	28.00	36.00	30.15
12	17.00	11.00	19.00	13.15	28	33.00	27.00	35.00	29.15
11	16.00	10.00	18.00	12.15	27	32.00	26.00	34.00	28.15
10	15.00	9.00	17.00	11.15	26	31.00	25.00	33.00	27.15
9	14.00	8.00	16.00	10.15	25	30.00	24.00	32.00	26.15
8	13.00	7.00	15.00	9.15	24	29.00	23.00	31.00	25.15
7	12.00	6.00	14.00	8.15	23	28.00	22.00	30.00	24.15
6	11.00	5.00	13.00	7.15	22	27.00	21.00	29.00	23.15
5	10.00	4.00	12.00	6.15	21	26.00	20.00	28.00	22.15
4	9.00	3.00	11.00	5.15	20	25.00	19.00	27.00	21.15
POS.	A	B	C	D	POS.	A	B	C	D

**RoHS Compliant**

TOLERANCES ARE

**All Connectors**

DRAWING BY CY

X ±  
 .X ±  
 .XX ±  
 .XXX ±  
 ANG ±

CHECKED BY GENIUS

UNIT / mm SCALE 1 : 1

DATE

SIZE A4 PPROJECTION

www.allconnectors.de

info@allconnectors.de

Tel.: 0049 711 7009503

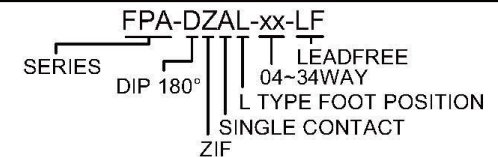
Fax: 0049 711 7009504

70794 Filderstadt - Germany

Kettnerstr. 25



**ORDER INFORMATION**



DESCRIPTION: 1.0 ZIF FPC CONN. TOP ENTRY CONTACT DIP TYPE.