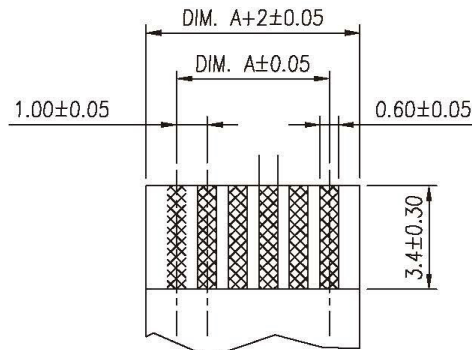
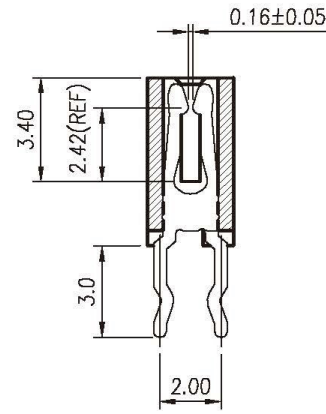


RECOMMENDED PCB LAYOUT
TOLERANCE: ±0.05



FPC/FFC T=0.30±0.05

NOTE:

- 1.MATERIAL:
HOUSING: PA6T, UL94V-0, COLOR: BLACK.
CONTACT: PHOSPHOR BRONZE.
- 2.FINISH:
CONTACT AREA: TIN PLATING 100 μ" THICKNESS MIN.
SOLDERING AREA: TIN PLATING 100 μ" THICKNESS MIN.;
UNDER PLATING: NICKEL PLATING 50 μ" THICKNESS MIN. OVERALL.

POS.	DIMENSION			POS.	DIMENSION		
	A	B	C		A	B	C
3	2.00	4.10	6.00	17	16.00	18.10	20.00
4	3.00	5.10	7.00	18	17.00	19.10	21.00
5	4.00	6.10	8.00	19	18.00	20.10	22.00
6	5.00	7.10	9.00	20	19.00	21.10	23.00
7	6.00	8.10	10.00	21	20.00	22.10	24.00
8	7.00	9.10	11.00	22	21.00	23.10	25.00
9	8.00	10.10	12.00	23	22.00	24.10	26.00
10	9.00	11.10	13.00	24	23.00	25.10	27.00
11	10.00	12.10	14.00	25	24.00	26.10	28.00
12	11.00	13.10	15.00	26	25.00	27.10	29.00
13	12.00	14.10	16.00	27	26.00	28.10	30.00
14	13.00	15.10	17.00	28	27.00	29.10	31.00
15	14.00	16.10	18.00	29	28.00	30.10	32.00
16	15.00	17.10	19.00	30	29.00	31.10	33.00

All Connectors
www.allconnectors.de
Tel.: 0049 711 7009503
70794 Filderstadt - Germany

info@allconnectors.de
Fax: 0049 711 7009504
Kettenerstr. 25

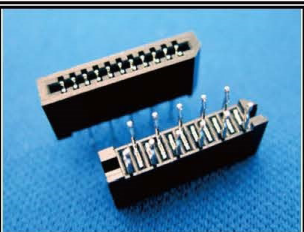
RoHS Compliant

DRAWING BY CY
CHECKED BY GENIUS

UNIT/ mm SCALE 1 : 1
DATE
SIZE A4

TOLERANCES ARE
X ± 0.40
X ± 0.30
.XX ± 0.20
.XXX ± 0.10
ANG ±

P PROJECTION



ORDER INFORMATION

FPA-DL2L-xx-LF

SERIES: DIP 180°
LEADFREE: 03-30WAY
L TYPE FOOT POSITION
DUAL CONTACT
NON ZIF

DESCRIPTION: FPC/FFC 1.0mm PITCH CONNECTOR, NON ZIF DUAL CONTACT DIP TYPE