

# 1.00mm .039" Center FPC/ FFC Connector

## F1020 Series

### ■ FPC/ FFC

Part No.: F1020-xxP-G-HF

### Specifications

#### Electrical

Voltage Rating: 50V AC/ DC

Current Rating: 0.5A

Temperature Range: -40~+85°C

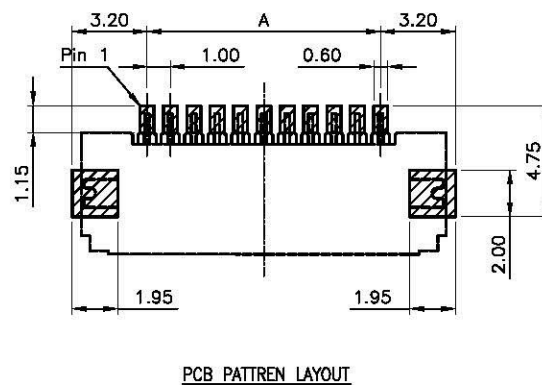
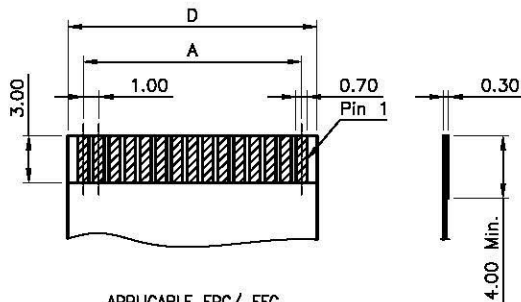
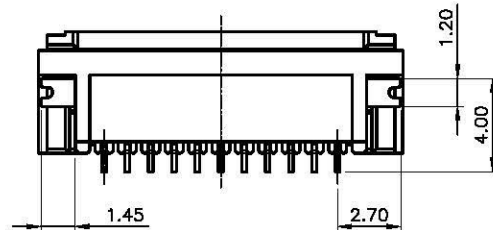
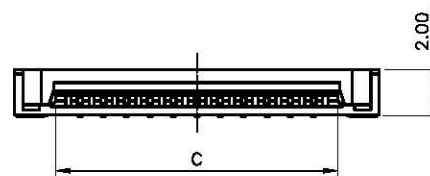
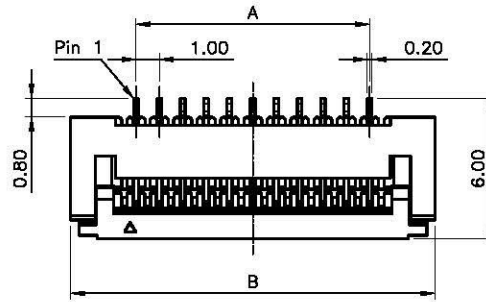
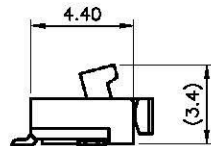
### Material

Housing: Thermal Plastic, UL 94V-0

Cover: Thermal Plastic, UL 94V-0

Terminal: Copper Alloy, Gold plated

Fitting: Copper Alloy, Tin plated



## Ordering Information and Dimensions

CIRCUITS	PART NO.	DIMENSION			
		A	B	C	D
04	F1020-04P-G-HF	3.00	8.60	5.07	5.00
06	F1020-06P-G-HF	5.00	10.60	7.07	7.00

# 1.00mm .039" Center FPC/ FFC Connector

## F1020 Series

### ■ FPC/ FFC

Part No.: F1020-xxP-G-HF

### Specifications

Electrical

Voltage Rating: 50V AC/ DC

Current Rating: 0.5A

Temperature Range: -40~+85°C

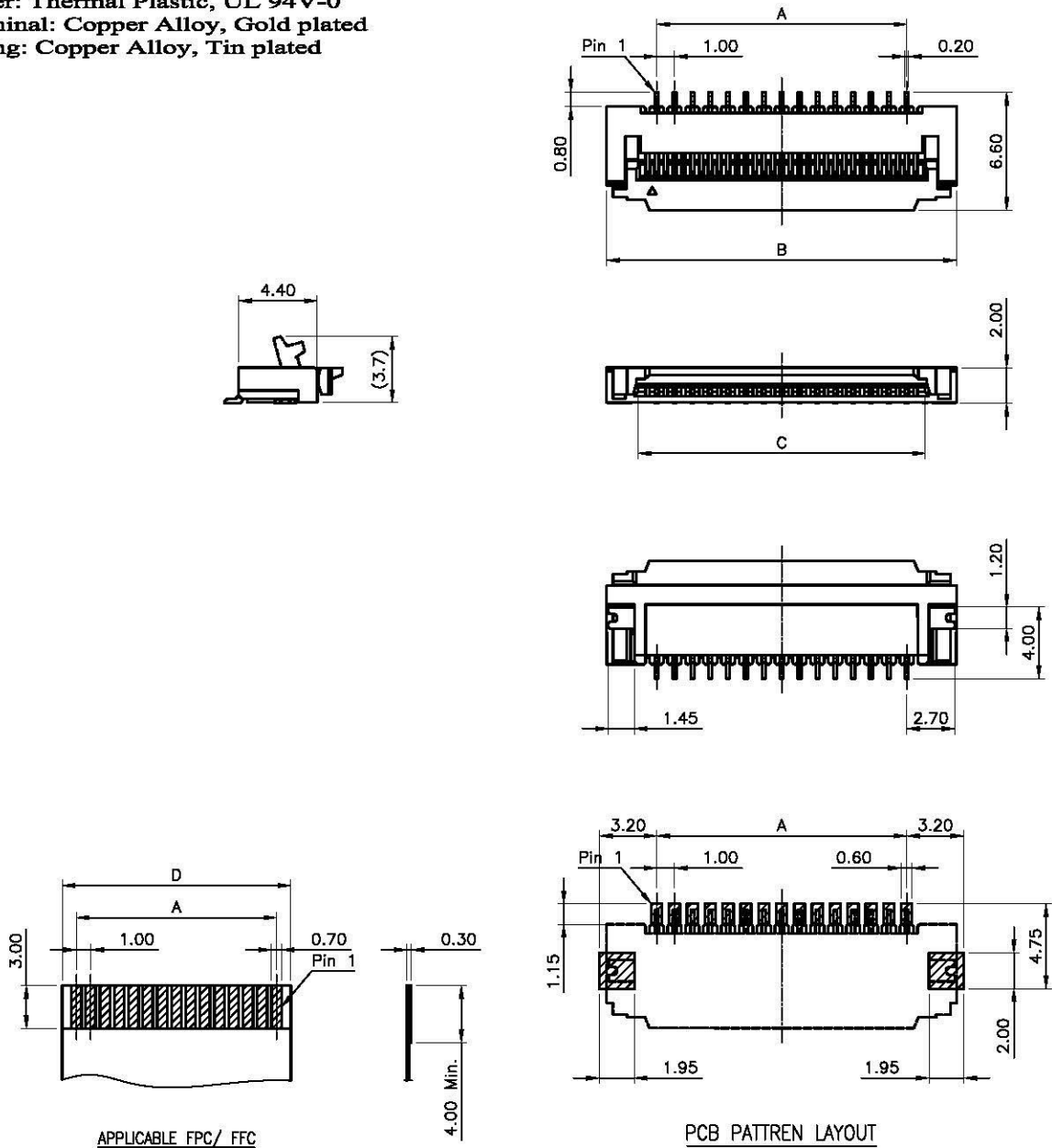
### Material

Housing: Thermal Plastic, UL 94V-0

Cover: Thermal Plastic, UL 94V-0

Terminal: Copper Alloy, Gold plated

Fitting: Copper Alloy, Tin plated



## Ordering Information and Dimensions

CIRCUITS	PART NO.	DIMENSION			
		A	B	C	D
22	F1020-22P-G-HF	21.00	26.60	23.07	23.00
30	F1020-30P-G-HF	29.00	34.60	31.07	31.00