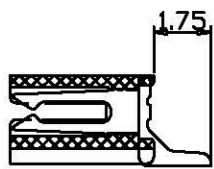
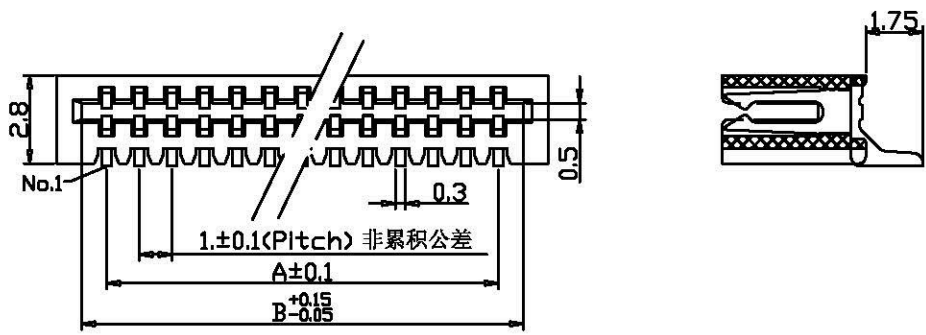
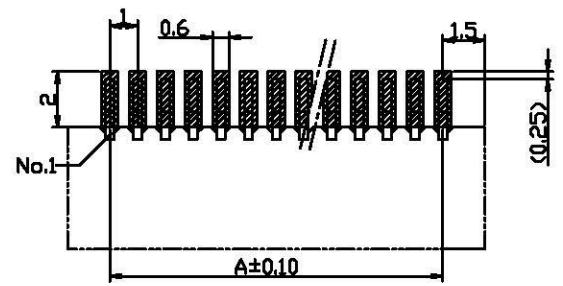
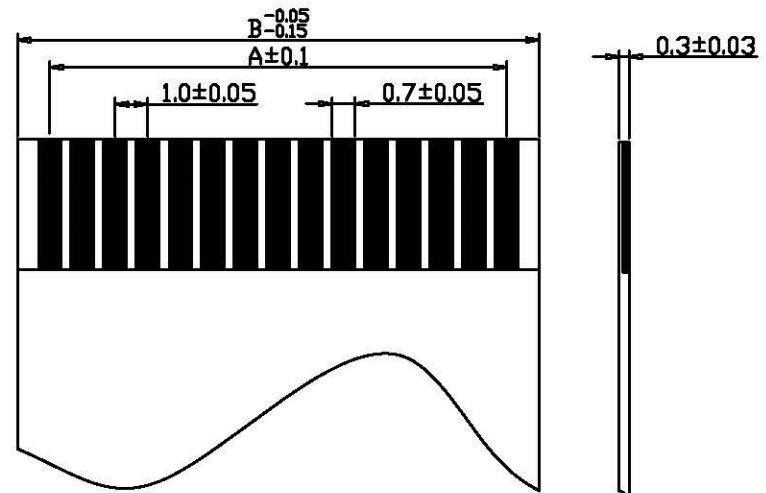
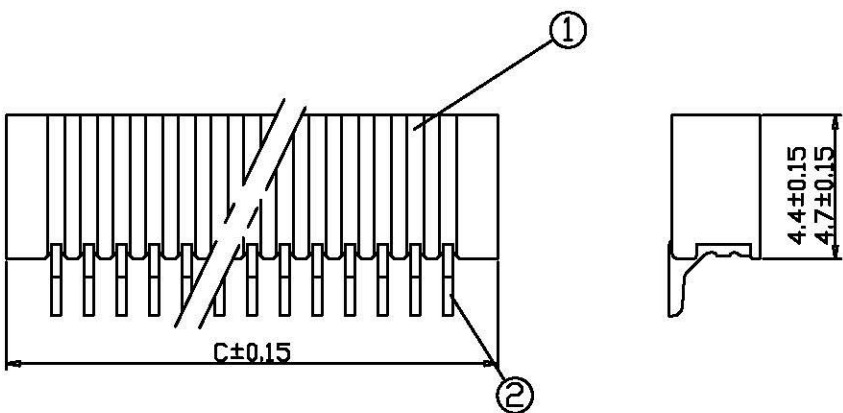


| | | | | |
|------|------------|---------|--------------|----------|
| REV. | DATE | ECN NO. | MODIFICATION | APPROVER |
| A | 2008/09/20 | / | NEW | Vicky |



- Specifications:
1. Plastic surface should be smooth, without flash, obvious shrinkage, defects or cracks, etc;
 2. Operating Temperature: -25°C-85°C;
 3. Rating voltage: 50V AC DC;
 4. Contact Resistance: 30mΩ Max;
 5. Insulation Resistance: 500MΩ Min;
 6. Withstanding Voltage: 500V AC/minutes.

| PIN NO. | A | B | C |
|---------|----|------|----|
| 4 | 3 | 5.1 | 6 |
| 5 | 4 | 6.1 | 7 |
| 6 | 5 | 7.1 | 8 |
| 7 | 6 | 8.1 | 9 |
| 8 | 7 | 9.1 | 10 |
| 9 | 8 | 10.1 | 11 |
| 10 | 9 | 11.1 | 12 |
| 11 | 10 | 12.1 | 13 |
| 12 | 11 | 13.1 | 14 |
| 13 | 12 | 14.1 | 15 |
| 14 | 13 | 15.1 | 16 |
| 15 | 14 | 16.1 | 17 |
| 16 | 15 | 17.1 | 18 |
| 17 | 16 | 18.1 | 19 |
| 18 | 17 | 19.1 | 20 |
| 19 | 18 | 20.1 | 21 |
| 20 | 19 | 21.1 | 22 |
| 21 | 20 | 22.1 | 23 |
| 22 | 21 | 23.1 | 24 |
| 23 | 22 | 24.1 | 25 |
| 24 | 23 | 25.1 | 26 |
| 25 | 24 | 26.1 | 27 |
| 26 | 25 | 27.1 | 28 |
| 27 | 26 | 28.1 | 29 |
| 28 | 27 | 29.1 | 30 |
| 29 | 28 | 30.1 | 31 |
| 30 | 29 | 31.1 | 32 |
| 31 | 30 | 32.1 | 33 |
| 32 | 31 | 33.1 | 34 |
| 33 | 32 | 34.1 | 35 |
| 34 | 33 | 35.1 | 36 |
| 35 | 34 | 36.1 | 37 |
| 36 | 35 | 37.1 | 38 |
| 37 | 36 | 38.1 | 39 |
| 38 | 37 | 39.1 | 40 |
| 39 | 38 | 40.1 | 41 |
| 40 | 39 | 41.1 | 42 |



RECOMMENDED PCB LAYOUT

APPLICABLE FPC

| NO. | NAME | MATERIAL | QUA | NOTES |
|-----|---------|-----------------|-----|---|
| 2 | Contact | Phosphor Bronze | n×1 | Plating (tin): overall surface underplated Ni 30U" MIN and plated Sn 80U" MIN |
| 1 | Housing | PA46(UL94V-0) | 1 | Black |

| | | | | |
|--|--------|----------|----------------|----------------------------------|
| GENERAL TOLERANCE | UNITS | NAME: | FPC | |
| SELECT <input checked="" type="checkbox"/> | mmt | PART NO: | FPC100**-22*** | |
| ON TOL | MAT'L | APPD: | Vicky | TITLE: FPC1.0mm XP SMT 贴片 双接触 无锁 |
| <10 | FINISH | CHKD: | Ivy | DWG NO. ATOM-A00710 |
| 10-30 | Q'TY | DR: | Iris | SCALE SHEET REV |
| >30 | | | | 1:1 1/1 A |
| ANGLE | Δ3° | | | |