

**Electrical Characteristics:**  
 Current rating: 0.5A AC/DC  
 Voltage rating: 50V AC/DC  
 Temperature range: -40°C~+85°C  
 Withstand Voltage: 500V AC/Minute  
 Contact Resistance: ≤30mΩ  
 Insulation resistance: ≥500mΩ  
 Relative Humidity: 93%+40°C

**Material Description:**  
 Terminal: Phosphor Bronze, Tin Plating  
 Fitting Nial: Phosphor Bronze, Tin Plating  
 Housing: LCP/PA46 (UL94V-0)  
 Actuator: PPS (UL94V-0)

All material are RoHS compliant.

Pin	Dim A	Dim B	Dim C	Pin	Dim A	Dim B	Dim C
4	1.5	2.6	6.8	33	16	17.1	20.8
5	2	3.1	7.3	34	16.5	17.6	21.3
6	2.5	3.6	7.8	35	17	18.1	21.8
7	3	4.1	8.3	36	17.5	18.6	22.3
8	3.5	4.6	8.8	37	18	19.1	22.8
9	4	5.1	9.3	38	18.5	19.6	23.3
10	4.5	5.6	9.8	39	19	20.1	23.8
11	5	6.1	10.3	40	19.5	20.6	24.3
12	5.5	6.6	10.8	41	20	21.1	24.8
13	6	7.1	11.3	42	20.5	21.6	25.3
14	6.5	7.6	11.8	43	21	22.1	25.8
15	7	8.1	12.3	44	21.5	22.6	26.3
16	7.5	8.6	12.8	45	22	23.1	26.8
17	8	9.1	13.3	46	22.5	23.6	27.3
18	8.5	9.6	13.8	47	23	24.1	27.8
19	9	10.1	14.3	48	23.5	24.6	28.3
20	9.5	10.6	14.8	49	24	25.1	28.8
21	10	11.1	15.3	50	24.5	25.6	29.3
22	10.5	11.6	15.8	51	25	26.1	29.8
23	11	12.1	16.3	52	25.5	26.6	30.3
24	11.5	12.6	16.8	53	26	27.1	30.8
25	12	13.1	17.3	54	26.5	27.6	31.3
26	12.5	13.6	17.8	55	27	28.1	31.8
27	13	14.1	18.3	56	27.5	28.6	32.3
28	13.5	14.6	18.8	57	28	29.1	32.8
29	14	15.1	19.3	58	28.5	29.6	33.3
30	14.5	15.6	19.8	60	29.5	30.6	34.3
31	15	16.1	20.3				
32	15.5	16.6	20.8				

1.3			
1.2			
1.1			
1.0	RELEASED	Li GM	2012-05-14
REV	ECN. NO.	DR.BY	DATE

**All Connectors**

www.allconnectors.de  
 Tel.: 0049 711 7009503  
 70794 Filderstadt - Germany

info@allconnectors.de  
 Fax: 0049 711 7009504  
 Kettenerstr. 25

X: ±0.30	X': ±5.0°
X.X: ±0.20	X.X': ±3.0°
X.XX: ±0.15	X.XX': ±1.0°
UNIT: mm	
SCALE: 1:1	SHEET: 1/2

TITLE : FPC Connector, 0.5 Pitch, R/A SMT Type, Easy-on, H=2.0 with tabs

A4

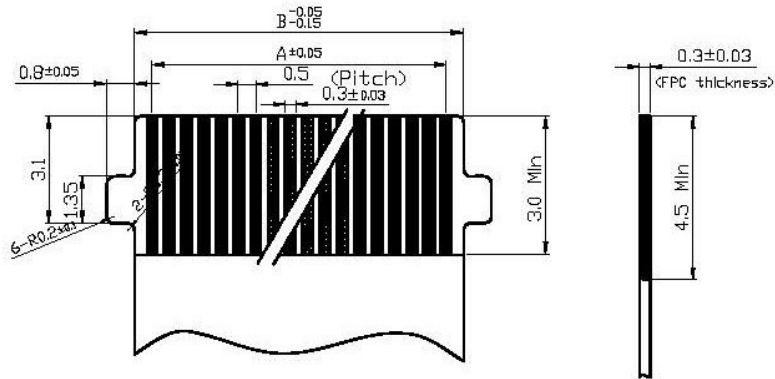
APPD: Xiao Jian PART NO :KISD22-XXXX

CHD: Wang Zhijun DWG. NO.: KISD22-XXXX

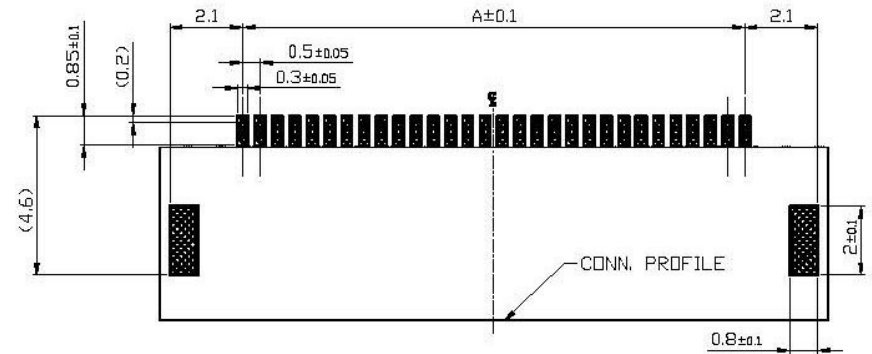
DR: Li Guoming REV:1.0 DATE: 2012-05-14

RoHS Compliant

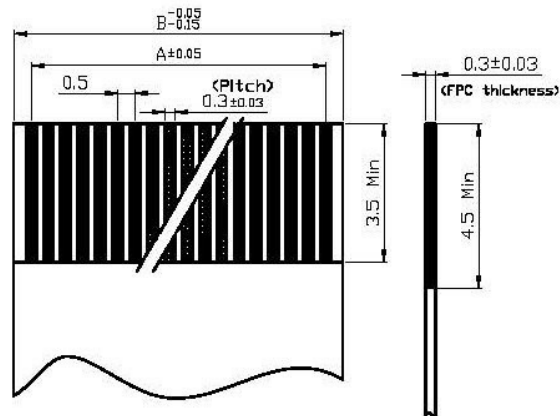
Customer Drawing



APPLICABLE FPC(+LOCK)



RECOMMENDED PCB LAYOUT



APPLICABLE FPC

**How to order**

**KISD22- X X X**  
1 2 3 4

- 1. Series No
  - 2. No Of Pin  
04-60
  - 3. Contact Plating  
T1=Tin \*  
G1=Gold Flash
  - 4. Packing  
E=Tape&Reel \*  
C=Tube
- \* for standard

1.3			
1.2			
1.1			
1.0	RELEASED	Li GM	2012-05-14
REV	ECN. NO.	DR.BY	DATE

**Allconnectors**

www.allconnectors.de info@allconnectors.de  
Tel: 0049 711 7009503 Fax: 0049 711 7009504  
70794 Filderstadt - Germany Kettenerstr. 25

X: ±0.30	X: ±5.0°	TITLE : FPC Connector, 0.5 Pitch, R/A SMT Type, Easy-on, H=2.0 with tabs		<b>A4</b>
XX: ±0.20	XX: ±3.0°	APPD: Xiao Jian	PART NO :KISD22-XXXX	
XXX: ±0.15	XXX: ±1.0°	CHD: Wang Zhijun	DWG. NO.: KISD22-XXXX	
UNIT: mm		DR: Li Guoming	REV: 1.0	DATE: 2012-05-14
SCALE: 1:1	SHEET: 2/2			