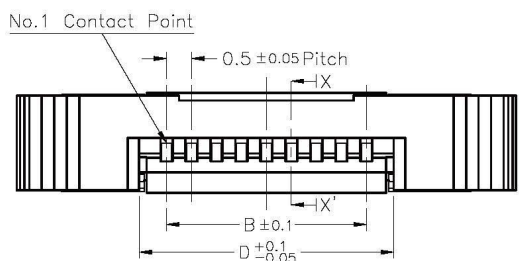
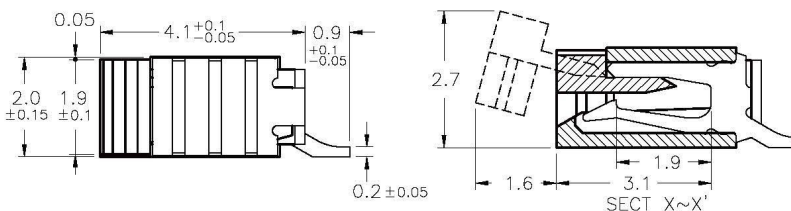


NOTE:
 1. MATERIAL:
 HOUSING: THERMOPLASTIC
 SLIDER: THERMOPLASTIC
 CONTACTS: COPPER ALLOY
 SOLDER PAD: COPPER ALLOY
 2. PLATING:
 CONTACTS: SEE ORDERING INFORMATION
 SOLDER PAD: SEE ORDERING INFORMATION
 3. RATING:
 OPERATING VOLTAGE: 50V
 CURRENT RATING: 0.4A
 OPERATING TEMPERATURE: -55°C ~ +85°C

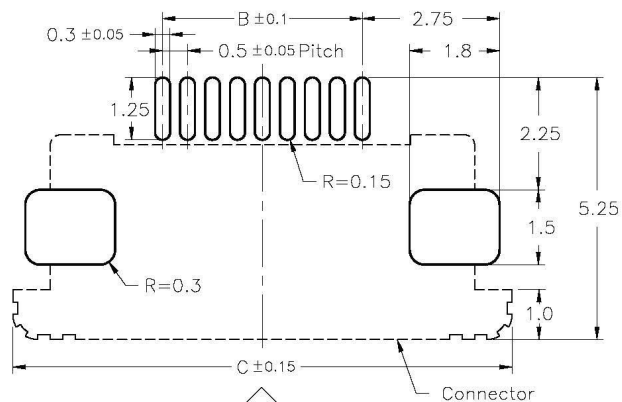
| No. of Contacts | DIM. A | DIM. B | DIM. C | DIM. D |
|-----------------|--------|--------|--------|--------|
| 4 | 6 | 1.5 | 7.5 | 2.6 |
| 5 | 6.5 | 2 | 8 | 3.1 |
| 6 | 7 | 2.5 | 8.5 | 3.6 |
| 7 | 7.5 | 3 | 9 | 4.1 |
| 8 | 8 | 3.5 | 9.5 | 4.6 |
| 9 | 8.5 | 4 | 10 | 5.1 |
| 10 | 9 | 4.5 | 10.5 | 5.6 |
| 11 | 9.5 | 5 | 11 | 6.1 |
| 12 | 10 | 5.5 | 11.5 | 6.6 |
| 13 | 10.5 | 6 | 12 | 7.1 |
| 14 | 11 | 6.5 | 12.5 | 7.6 |
| 15 | 11.5 | 7 | 13 | 8.1 |
| 16 | 12 | 7.5 | 13.5 | 8.6 |
| 17 | 12.5 | 8 | 14 | 9.1 |
| 18 | 13 | 8.5 | 14.5 | 9.6 |
| 19 | 13.5 | 9 | 15 | 10.1 |
| 20 | 14 | 9.5 | 15.5 | 10.6 |
| 21 | 14.5 | 10 | 16 | 11.1 |
| 22 | 15 | 10.5 | 16.5 | 11.6 |
| 23 | 15.5 | 11 | 17 | 12.1 |
| 24 | 16 | 11.5 | 17.5 | 12.6 |
| 25 | 16.5 | 12 | 18 | 13.1 |
| 26 | 17 | 12.5 | 18.5 | 13.6 |
| 27 | 17.5 | 13 | 19 | 14.1 |
| 28 | 18 | 13.5 | 19.5 | 14.6 |
| 29 | 18.5 | 14 | 20 | 15.1 |
| 30 | 19 | 14.5 | 20.5 | 15.6 |
| 31 | 19.5 | 15 | 21 | 16.1 |
| 32 | 20 | 15.5 | 21.5 | 16.6 |
| 33 | 20.5 | 16 | 22 | 17.1 |
| 34 | 21 | 16.5 | 22.5 | 17.6 |
| 35 | 21.5 | 17 | 23 | 18.1 |
| 36 | 22 | 17.5 | 23.5 | 18.6 |
| 37 | 22.5 | 18 | 24 | 19.1 |
| 38 | 23 | 18.5 | 24.5 | 19.6 |
| 39 | 23.5 | 19 | 25 | 20.1 |
| 40 | 24 | 19.5 | 25.5 | 20.6 |
| 41 | 24.5 | 20 | 26 | 21.1 |
| 42 | 25 | 20.5 | 26.5 | 21.6 |
| 43 | 25.5 | 21 | 27 | 22.1 |
| 44 | 26 | 21.5 | 27.5 | 22.6 |
| 45 | 26.5 | 22 | 28 | 23.1 |
| 46 | 27 | 22.5 | 28.5 | 23.6 |
| 47 | 27.5 | 23 | 29 | 24.1 |
| 48 | 28 | 23.5 | 29.5 | 24.6 |
| 49 | 28.5 | 24 | 30 | 25.1 |
| 50 | 29 | 24.5 | 30.5 | 25.6 |



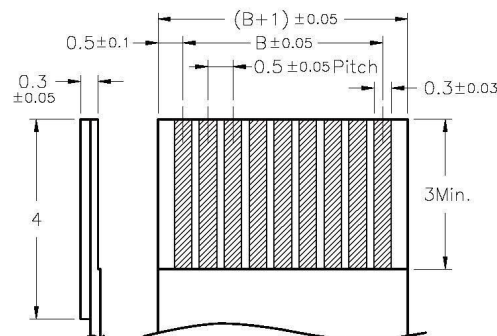
PCB Layout



Applicable FPC



FPC/FFC INSERT DIRECTION



All Connectors

www.allconnectors.de
 Tel.: 0049 711 7009503
 70794 Filderstadt - Germany

info@allconnectors.de
 Fax: 0049 711 7009504
 Kettenerstr. 25

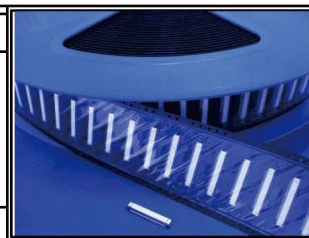
RoHS Compliant

DRAWING BY CY
 CHECKED BY GENIUS
 UNIT/ mm SCALE 1:1
 DATE
 SIZE A4

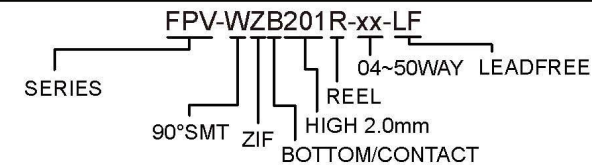
TOLERANCES ARE

X ±
 .X ±
 .XX ±
 .XXX ±
 ANG ±

PJECTION

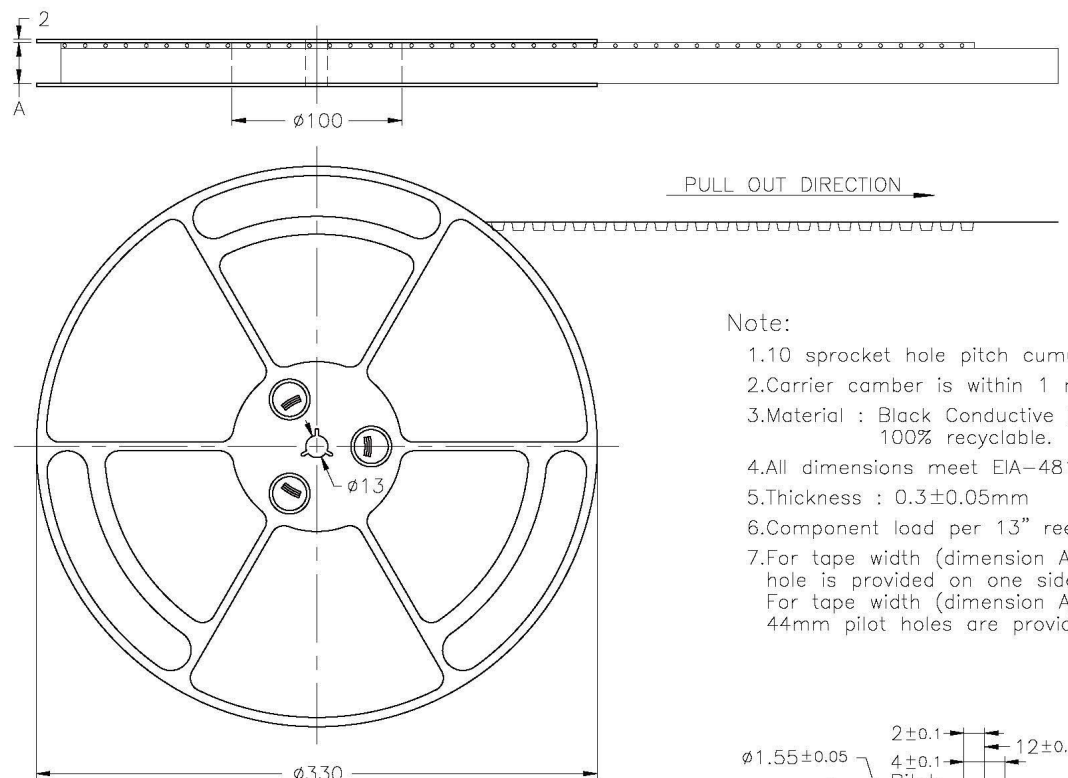


ORDER INFORMATION



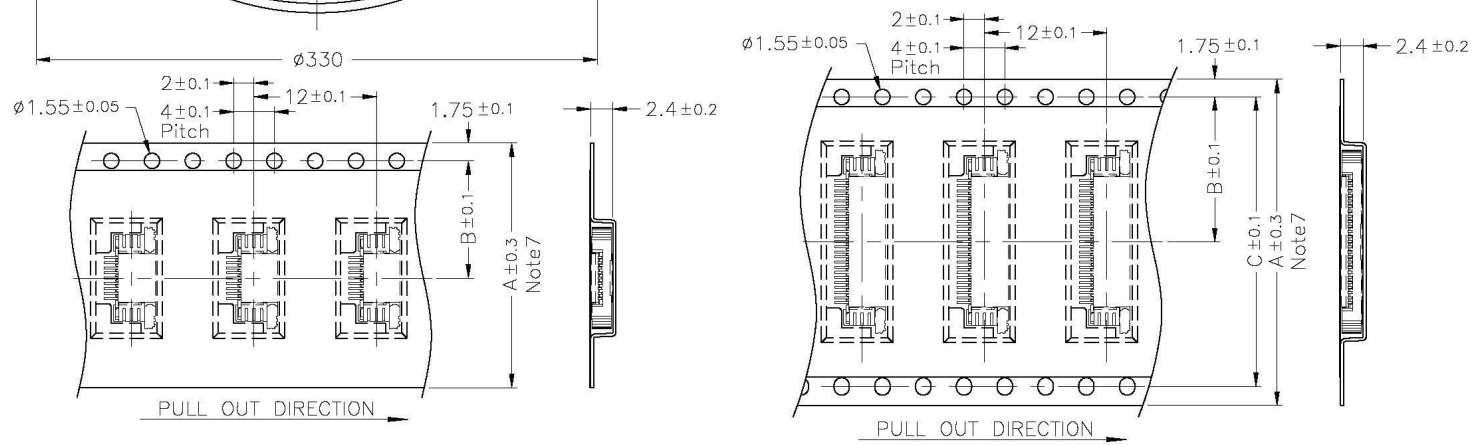
DESCRIPTION: 0.5mm Pitch FPC/FFC Connector

EMBOSSED TAPE PACKING RIGHT ANGLE TYPE



- Note:
- 1.10 sprocket hole pitch cumulative tolerance ± 0.2 .
 2. Carrier camber is within 1 mm in 100mm.
 3. Material : Black Conductive Polystyrene Alloy
100% recyclable.
 4. All dimensions meet EIA-481-3 requirements.
 5. Thickness : 0.3 ± 0.05 mm
 6. Component load per 13" reel :2000 pcs.
 7. For tape width (dimension A) 24mm a pilot hole is provided on one side.
For tape width (dimension A) 32mm and 44mm pilot holes are provided on both sides.

| No. of Contacts | DIM. A Note7 | DIM. B | DIM. C |
|-----------------|-----------------|--------|--------|
| 4 ↓ 23 | 24 | 11.5 | — |
| 24 ↓ 33 | 32 | 14.2 | 28.4 |
| 34 ↓ 50 | 44 | 20.2 | 40.4 |



All Connectors
 www.allconnectors.de
 Tel.: 0049 711 7009503
 70794 Filderstadt - Germany

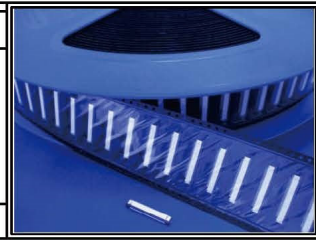
info@allconnectors.de
 Fax: 0049 711 7009504
 Kettenerstr. 25

RoHS Compliant

DRAWING BY CY
 CHECKED BY GENIUS

UNIT/mm SCALE 1:1
 DATE
 SIZE A4 PROJECTION

TOLERANCES ARE
 X. ±
 XX. ±
 XXX. ±
 ANG ±



ORDER INFORMATION

FPV-WZB201R-xx-LF

SERIES: 90°SMT, ZIF
 REEL: 04~50WAY LEADFREE
 HIGH 2.0mm
 BOTTOM/CONTACT

DESCRIPTION: