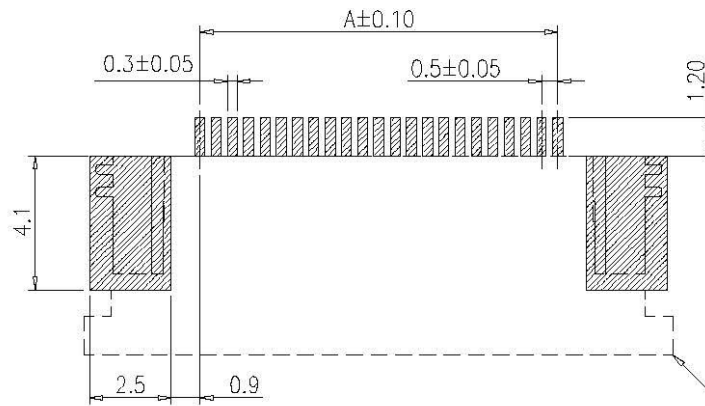
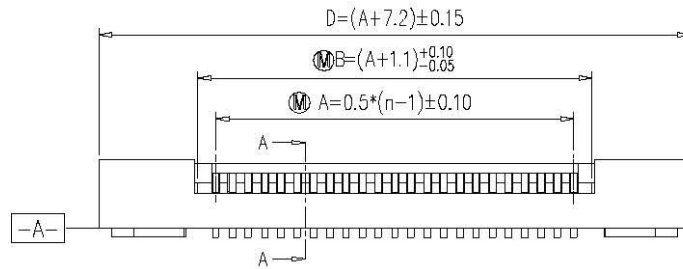
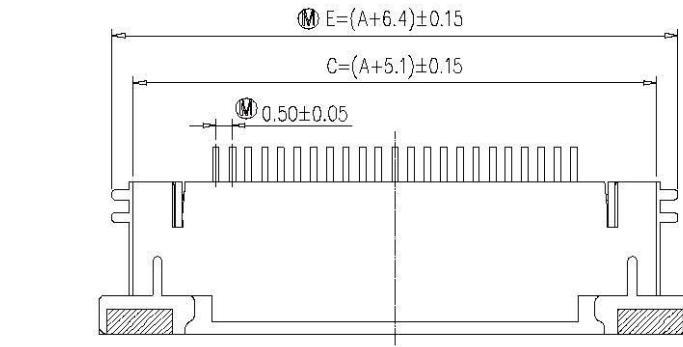
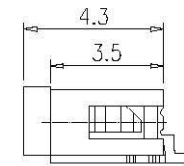


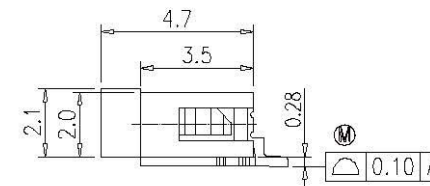
SECTION A-A



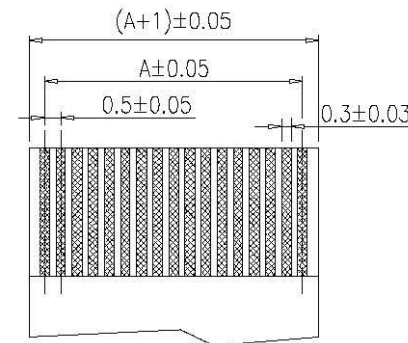
RECOMMENDED PCB LAYOUT



NO. OF CONTACTS
3 PIN~30 PIN



NO. OF CONTACTS
31 PIN~61 PIN



FFC/FPC DIMENSION
THICKNESS 0.30 mm

NOTE

1. HOUSING: PA46(TS250 F8). COLOR: WHITE.
2. ACTUATOR: PPS(1140A6). COLOR: BLACK.
3. CONTACT: PHOSPHOR BRONZE. PLATING: ALL TIN, LEAD FREE.
4. HOLDDOWN: BRASS. PLATING: ALL TIN, LEAD FREE.
5. M IS MAJOR DIMENSION FOR IQC.

All Connectors

www.allconnectors.de
Tel.: 0019 711 7009503
70794 Filzstadt - Germany

info@allconnectors.de
Fax: 0049 711 7009501
Kettnerstr. 25

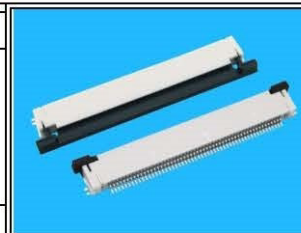
RoHS Compliant

DRAWING BY CY
CHECKED BY GENIUS
UNIT/mm SCALE 1:1
DATE
SIZE A4

TOLERANCES ARE

X ±
X ±
.XX ±
.XXX ±
ANG ±

PJECTION



ORDER INFORMATION

FPV-WZA23-xx-LF
SERIES | LEADFREE
03~61WAY
90°SMT | HIGH 2.38mm
ZIF | UPPER CONTACT

DESCRIPTION: