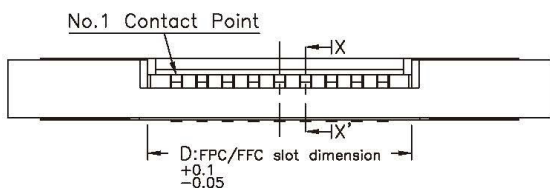
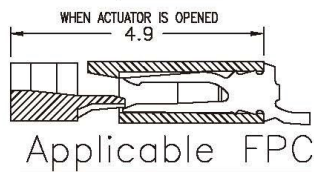
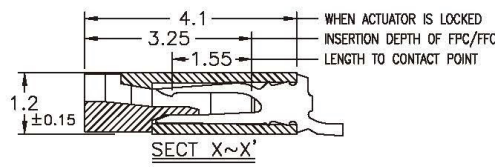
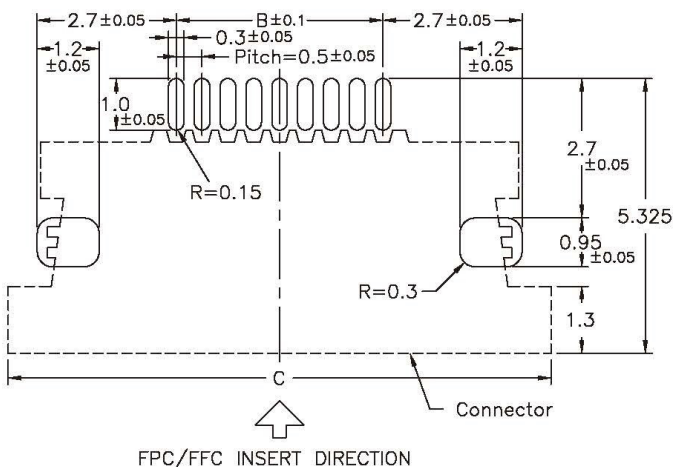


NOTE:

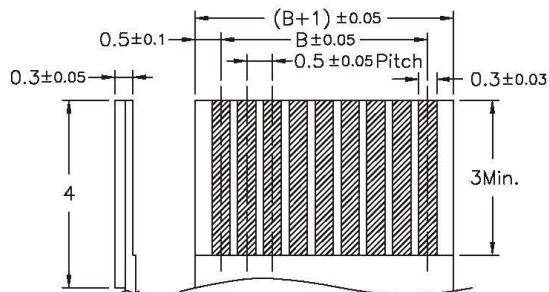
- 1.MATERIAL:
HOUSING:THERMOPLASTIC
SLIDER:THERMOPLASTIC
CONTACTS:COPPER ALLOY
SOLDER PAD:COPPER ALLOY
- 2.PLATING:
CONTACTS:SEE ORDERING INFORMATION
SOLDER PAD:SEE ORDERING INFORMATION
- 3.RATING:
OPERATING VOLTAGE:50V
CURRENT RATING:0.4A
OPERATING TEMPERATURE:-55°C ~ +85°C



PCB Layout



Applicable FPC



No.of Contacts	Part Number	DIM. A	DIM. B	DIM. C	DIM. D
4	FPV-WZA12G-04	6.75	1.5	8	2.6
5	FPV-WZA12G-05	7.25	2	8.5	3.1
6	FPV-WZA12G-06	7.75	2.5	9	3.6
7	FPV-WZA12G-07	8.25	3	9.5	4.1
8	FPV-WZA12G-08	8.75	3.5	10	4.6
9	FPV-WZA12G-09	9.25	4	10.5	5.1
10	FPV-WZA12G-10	9.75	4.5	11	5.6
11	FPV-WZA12G-11	10.25	5	11.5	6.1
12	FPV-WZA12G-12	10.75	5.5	12	6.6
13	FPV-WZA12G-13	11.25	6	12.5	7.1
14	FPV-WZA12G-14	11.75	6.5	13	7.6
15	FPV-WZA12G-15	12.25	7	13.5	8.1
16	FPV-WZA12G-16	12.75	7.5	14	8.6
17	FPV-WZA12G-17	13.25	8	14.5	9.1
18	FPV-WZA12G-18	13.75	8.5	15	9.6
19	FPV-WZA12G-19	14.25	9	15.5	10.1
20	FPV-WZA12G-20	14.75	9.5	16	10.6
21	FPV-WZA12G-21	15.25	10	16.5	11.1
22	FPV-WZA12G-22	15.75	10.5	17	11.6
23	FPV-WZA12G-23	16.25	11	17.5	12.1
24	FPV-WZA12G-24	16.75	11.5	18	12.6
25	FPV-WZA12G-25	17.25	12	18.5	13.1
26	FPV-WZA12G-26	17.75	12.5	19	13.6
27	FPV-WZA12G-27	18.25	13	19.5	14.1
28	FPV-WZA12G-28	18.75	13.5	20	14.6
29	FPV-WZA12G-29	19.25	14	20.5	15.1
30	FPV-WZA12G-30	19.75	14.5	21	15.6
31	FPV-WZA12G-31	20.25	15	21.5	16.1
32	FPV-WZA12G-32	20.75	15.5	22	16.6
33	FPV-WZA12G-33	21.25	16	22.5	17.1
34	FPV-WZA12G-34	21.75	16.5	23	17.6
35	FPV-WZA12G-35	22.25	17	23.5	18.1
36	FPV-WZA12G-36	22.75	17.5	24	18.6
37	FPV-WZA12G-37	23.25	18	24.5	19.1
38	FPV-WZA12G-38	23.75	18.5	25	19.6
39	FPV-WZA12G-39	24.25	19	25.5	20.1
40	FPV-WZA12G-40	24.75	19.5	26	20.6
41	FPV-WZA12G-41	25.25	20	26.5	21.1
42	FPV-WZA12G-42	25.75	20.5	27	21.6
43	FPV-WZA12G-43	26.25	21	27.5	22.1
44	FPV-WZA12G-44	26.75	21.5	28	22.6
45	FPV-WZA12G-45	27.25	22	28.5	23.1
46	FPV-WZA12G-46	27.75	22.5	29	23.6
47	FPV-WZA12G-47	28.25	23	29.5	24.1
48	FPV-WZA12G-48	28.75	23.5	30	24.6
49	FPV-WZA12G-49	29.25	24	30.5	25.1
50	FPV-WZA12G-50	29.75	24.5	31	25.6

RoHS Compliant

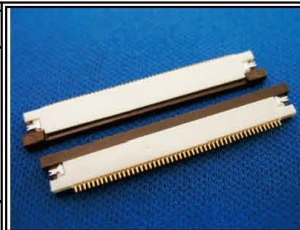
All Connectors

www.allconnectors.de info@allconnectors.de
Tel.: 0049 711 7009503 Fax: 0049 711 7009504
70794 Filderstadt - Germany Kettnerstr. 25

DRAWING BY CY	
CHECKED BY GENIUS	
UNIT / mm	SCALE 1 : 1
DATE	
SIZE A4	P PROJECTION

TOLERANCES ARE

- X ±
- .X ± 0.20
- .XX ± 0.10
- .XXX ±
- ANG ±



ORDER INFORMATION



DESCRIPTION: