

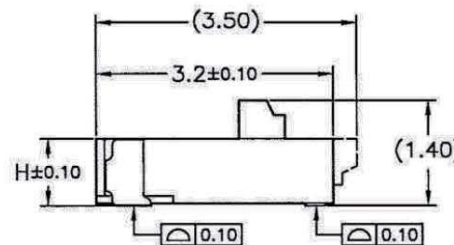
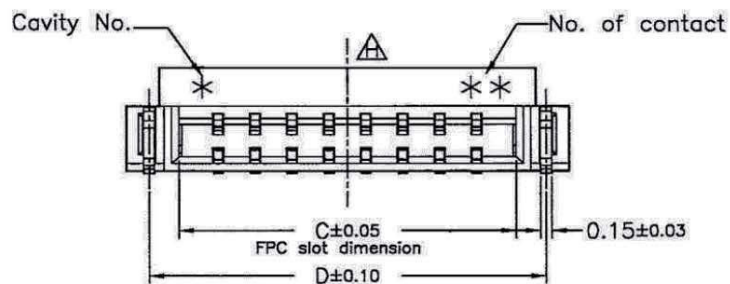
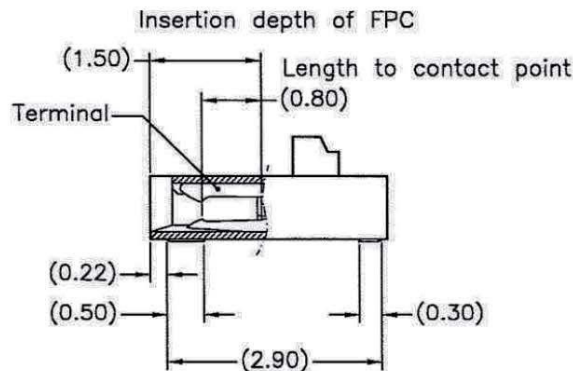
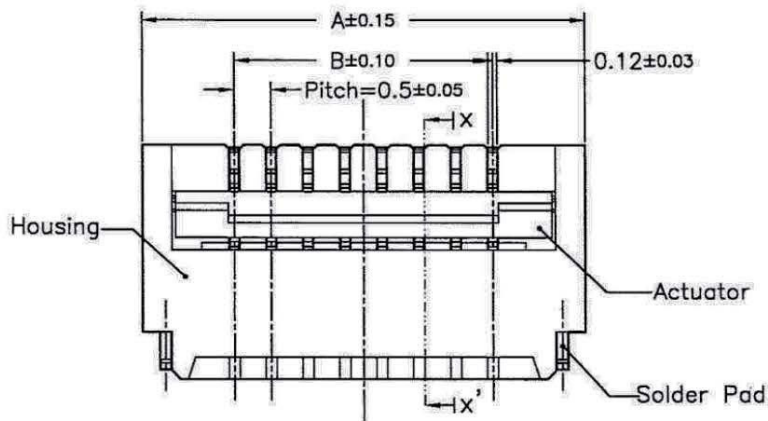
NOTE:

1.MATERIAL:

HOUSING:LCP(UL94V-0)
 ACTUATOR:LCP(UL94V-0)
 TERMINAL:PHOSPHOR BRONZE
 LEG:PHOSPHOR BRONZE

2.RATING:

OPERATING VOLTAGE:50Vrms AC
 CURRENT RATING:0.5A
 OPERATING TEMPERATURE:-55°C ~ +85°C
 OPERATING HUMIDITY RANGE:RELATIVE HUMIDITY 90% MAX
 (NO CONDENSATION)
 STORAGE TEMPERATURE RANGE:-10°C ~ +50°C
 STORAGE HUMIDITY RANGE:RELATIVE HUMIDITY 90% MAX
 (NO CONDENSATION)



No.of Contacts	DIM. A	DIM. B	DIM. C	DIM. D	DIM. H
04	4.0	1.5	2.57	3.38	0.9
05	4.5	2.0	3.07	3.88	0.9
06	5.0	2.5	3.57	4.38	0.9
07	5.5	3.0	4.07	4.88	0.9
08	6.0	3.5	4.57	5.38	0.9
09	6.5	4.0	5.07	5.88	0.9
10	7.0	4.5	5.57	6.38	0.9
11	7.5	5.0	6.07	6.88	0.9
12	8.0	5.5	6.57	7.38	0.9
13	8.5	6.0	7.07	7.88	0.9
14	9.0	6.5	7.57	8.38	0.9
15	9.5	7.0	8.07	8.88	0.9
16	10.0	7.5	8.57	9.38	0.9
17	10.5	8.0	9.07	9.88	0.9
18	11.0	8.5	9.57	10.38	0.9
19	11.5	9.0	10.07	10.88	0.9
20	12.0	9.5	10.57	11.38	0.9
21	12.5	10.0	11.07	11.88	0.9
22	13.0	10.5	11.57	12.38	0.9
23	13.5	11.0	12.07	12.88	0.9
24	14.0	11.5	12.57	13.38	0.9
25	14.5	12.0	13.07	13.88	0.9
26	15.0	12.5	13.57	14.38	0.95
27	15.5	13.0	14.07	14.88	0.95
28	16.0	13.5	14.57	15.38	0.95
29	16.5	14.0	15.07	15.88	0.95
30	17.0	14.5	15.57	16.38	0.95
31	17.5	15.0	16.07	16.88	0.95
32	18.0	15.5	16.57	17.38	0.95
33	18.5	16.0	17.07	17.88	0.95
34	19.0	16.5	17.57	18.38	0.95
35	19.5	17.0	18.07	18.88	0.95
36	20.0	17.5	18.57	19.38	0.95
37	20.5	18.0	19.07	19.88	0.95
38	21.0	18.5	19.57	20.38	0.95
39	21.5	19.0	20.07	20.88	0.95
40	22.0	19.5	20.57	21.38	0.95
41	22.5	20.0	21.07	21.88	0.95
42	23.0	20.5	21.57	22.38	0.95
43	23.5	21.0	22.07	22.88	0.95
44	24.0	21.5	22.57	23.38	0.95
45	24.5	22.0	23.07	23.88	0.95
46	25.0	22.5	23.57	24.38	0.95
47	25.5	23.0	24.07	24.88	0.95
48	26.0	23.5	24.57	25.38	0.95
49	26.5	24.0	25.07	25.88	0.95
50	27.0	24.5	25.57	26.38	0.95

All Connectors

www.allconnectors.de
 info@allconnectors.de
 Tel.: 0049 711 7009503
 Fax: 0049 711 7009504
 70794 Filzbergstr. Germany
 Kettelerstr. 25

RoHS Compliant

DRAWING BY

CHECKED BY

UNIT / mm SCALE 1 : 1

DATE

SIZE A4

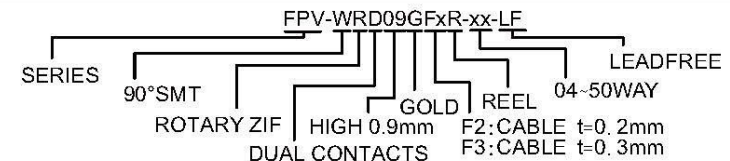
TOLERANCES ARE

X ±
 .X ±
 .XX ±
 .XXX ±
 ANG ±

P PROJECTION

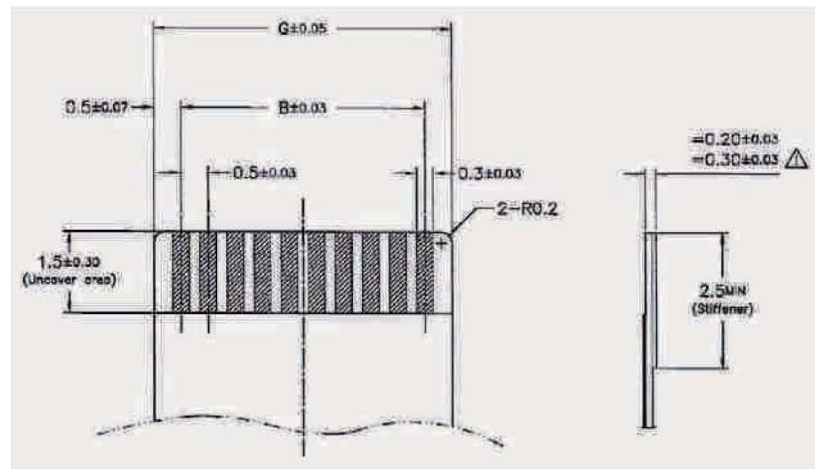
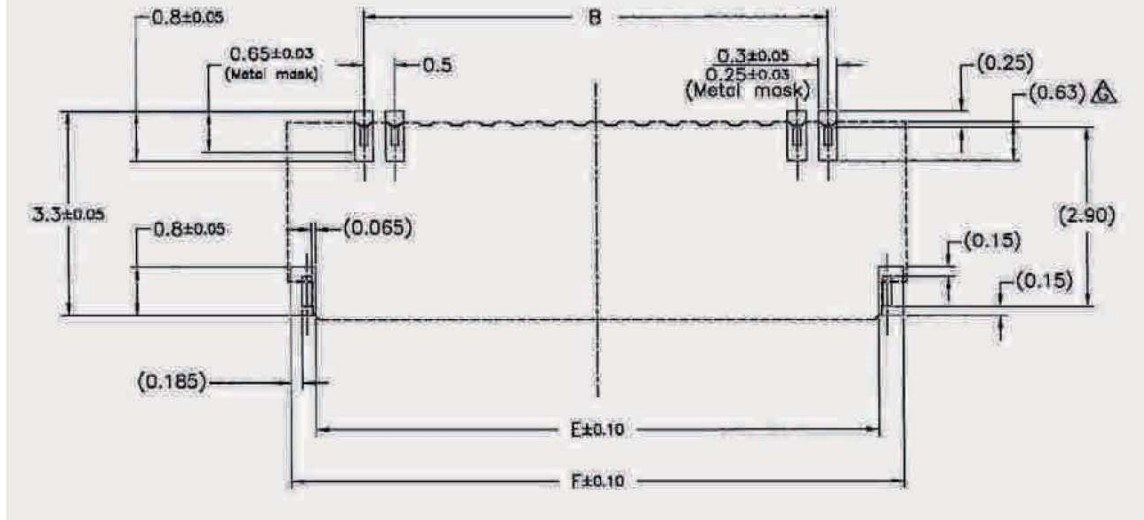


ORDER INFORMATION



DESCRIPTION:

Recommended metal mask thickness: $t=0.1\text{mm}$



No. of Contacts	DIM. B	DIM. E	DIM. F	DIM. G
04	1.5	3.1	3.9	2.5
05	2.0	3.6	4.4	3.0
06	2.5	4.1	4.9	3.5
07	3.0	4.6	5.4	4.0
08	3.5	5.1	5.9	4.5
09	4.0	5.6	6.4	5.0
10	4.5	6.1	6.9	5.5
11	5.0	6.6	7.4	6.0
12	5.5	7.1	7.9	6.5
13	6.0	7.6	8.4	7.0
14	6.5	8.1	8.9	7.5
15	7.0	8.6	9.4	8.0
16	7.5	9.1	9.9	8.5
17	8.0	9.6	10.4	9.0
18	8.5	10.1	10.9	9.5
19	9.0	10.6	11.4	10.0
20	9.5	11.1	11.9	10.5
21	10.0	11.6	12.4	11.0
22	10.5	12.1	12.9	11.5
23	11.0	12.6	13.4	12.0
24	11.5	13.1	13.9	12.5
25	12.0	13.6	14.4	13.0
26	12.5	14.1	14.9	13.5
27	13.0	14.6	15.4	14.0
28	13.5	15.1	15.9	14.5
29	14.0	15.6	16.4	15.0
30	14.5	16.1	16.9	15.5
31	15.0	16.6	17.4	16.0
32	15.5	17.1	17.9	16.5
33	16.0	17.6	18.4	17.0
34	16.5	18.1	18.9	17.5
35	17.0	18.6	19.4	18.0
36	17.5	19.1	19.9	18.5
37	18.0	19.6	20.4	19.0
38	18.5	20.1	20.9	19.5
39	19.0	20.6	21.4	20.0
40	19.5	21.1	21.9	20.5
41	20.0	21.6	22.4	21.0
42	20.5	22.1	22.9	21.5
43	21.0	22.6	23.4	22.0
44	21.5	23.1	23.9	22.5
45	22.0	23.6	24.4	23.0
46	22.5	24.1	24.9	23.5
47	23.0	24.6	25.4	24.0
48	23.5	25.1	25.9	24.5
49	24.0	25.6	26.4	25.0
50	24.5	26.1	26.9	25.5

All Connectors

www.allconnectors.de
Tel.: 0049 711 7009503
70794 Filderstadt - Germany

info@allconnectors.de
Fax: 0049 711 7009504
Kettenerstr. 25

RoHS Compliant

DRAWING BY CY
CHECKED BY GENIUS
UNIT/mm SCALE 1:1
DATE
SIZE A4

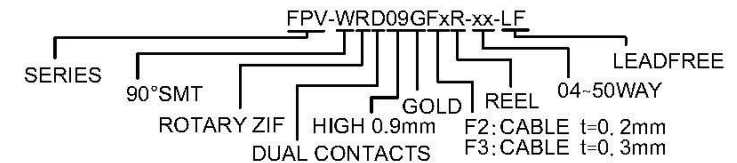
TOLERANCES ARE

X ±
.X ±
.XX ±
.XXX ±
ANG ±

PJECTION

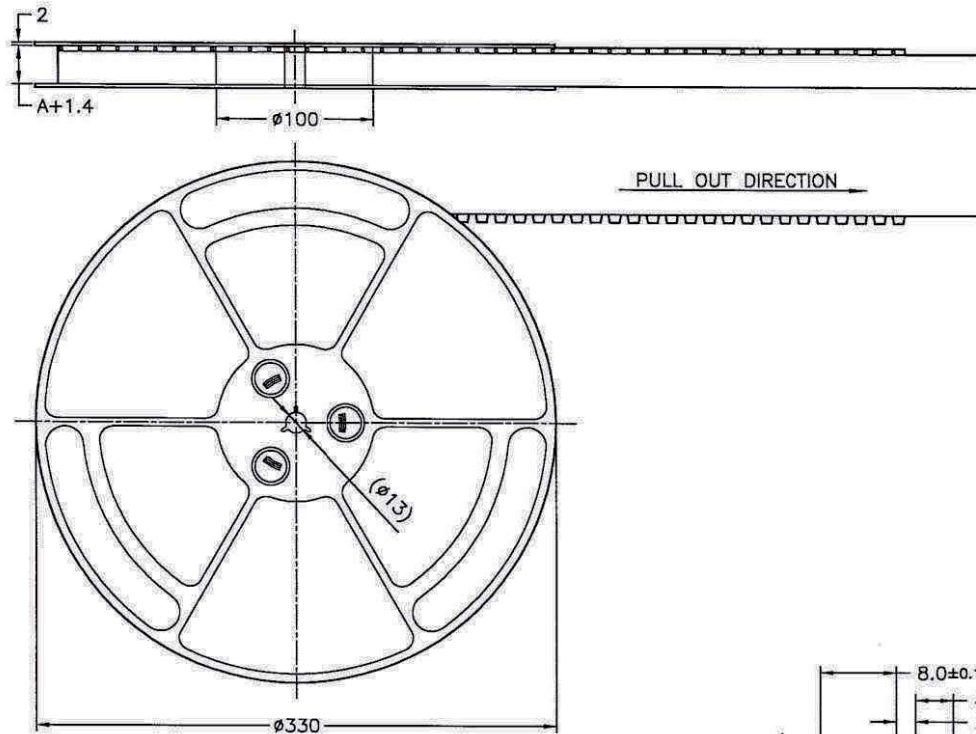


ORDER INFORMATION

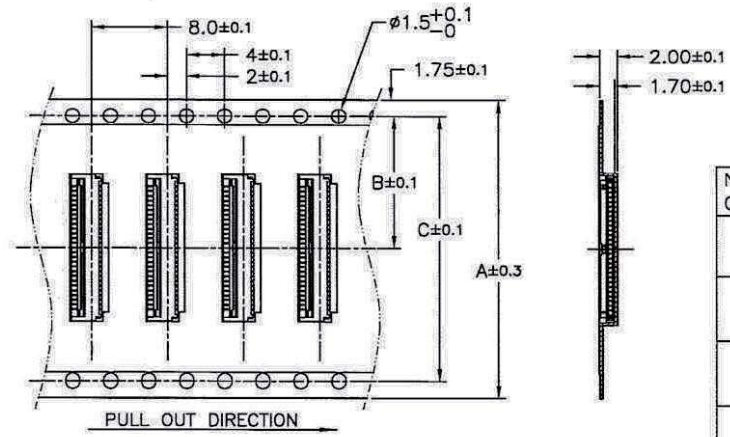
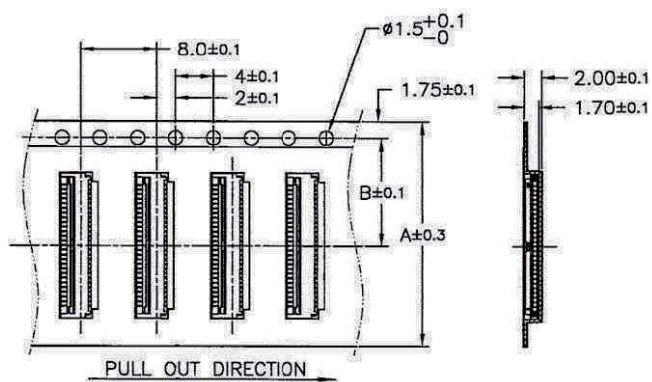


DESCRIPTION:

EMBOSSED TAPE PACKING



- Note:
- 1.10 sprocket hole pitch cumulative tolerance ± 0.2
 2. Carrier camber is within 1 mm in 250mm.
 3. Material : Black Conductive Polystyrene Alloy.
 4. All dimensions meet EIA-481-C requirements.
 5. Thickness : 0.3 ± 0.05 mm.
 6. Component load per 13" reel : 4500pcs. Δ
 7. For tape width (dimension A) 16 and 24mm a pilot hole is provided on one side. For tape width (dimension A) 32 and 44mm pilot holes are provided on both sides.



No. of Contacts	DIM. A	DIM. B	DIM. C
04 ↓ 11	16	7.5	—
12 ↓ 27	24	11.5	—
28 ↓ 39	32	14.2	28.4
40 ↓ 50	44	20.2	40.4

RoHS Compliant

All Connectors

www.allconnectors.de info@allconnectors.de
 Tel: 0049 711 408503 Fax: 0049 711 408501
 70754 Hilderstadt - Germany Kettelerstr. 15

DRAWING BY CY
CHECKED BY GENIUS

UNIT / mm SCALE 1 : 1

DATE SIZE A4 PROJECTION

TOLERANCES ARE
 X ±
 .X ±
 .XX ±
 .XXX ±
 ANG ±



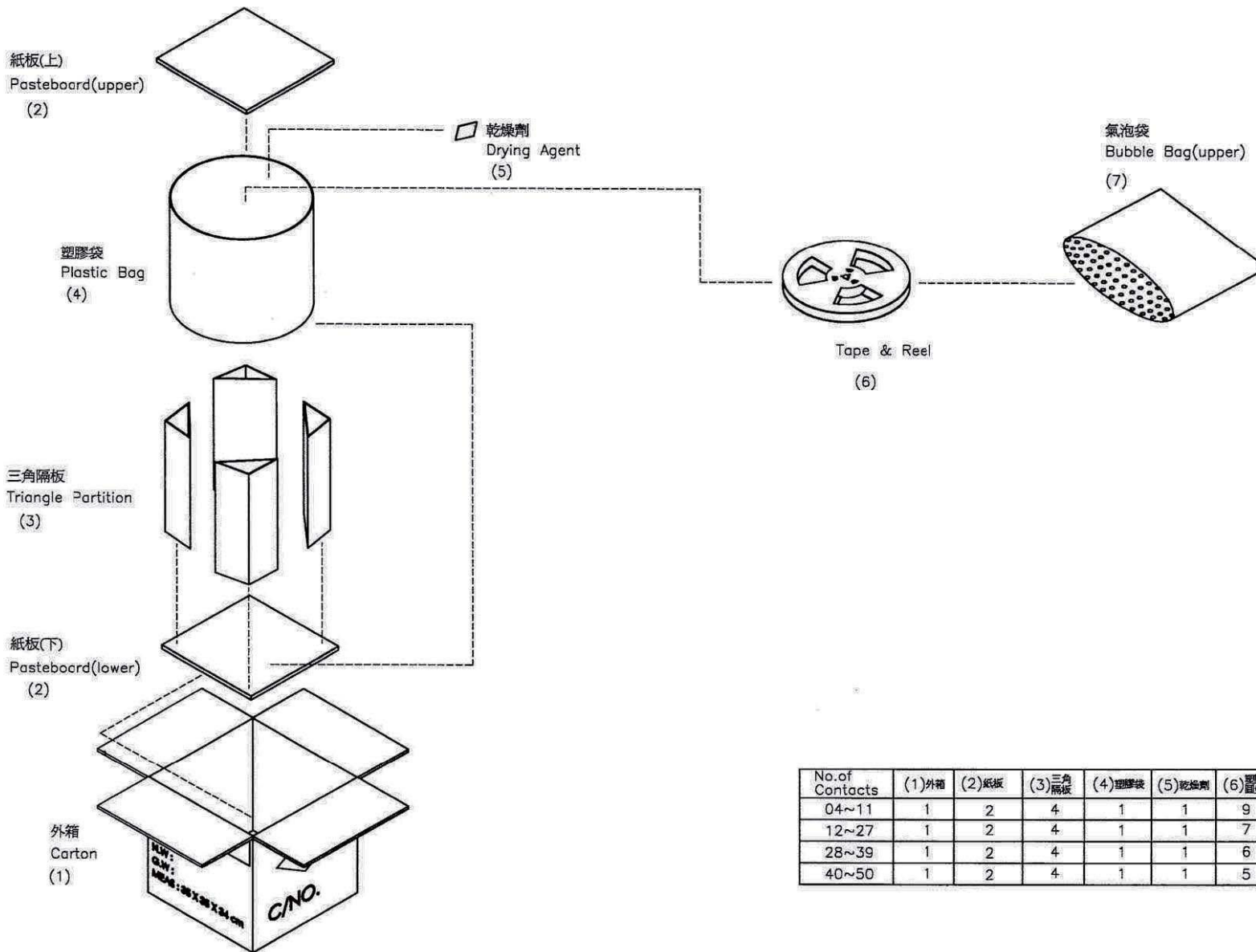
ORDER INFORMATION

SERIES: 90° SMT, ROTARY ZIF, DUAL CONTACTS, HIGH 0.9mm, GOLD, REEL, LEADFREE

FPV-WRD09GFxR-xx-LF

04-50WAY
 F2: CABLE t=0.2mm
 F3: CABLE t=0.3mm

DESCRIPTION:



No. of Contacts	(1)外箱	(2)紙板	(3)三角隔板	(4)塑膠袋	(5)乾燥劑	(6)塑膠袋	(7)氣泡袋
04~11	1	2	4	1	1	9	9
12~27	1	2	4	1	1	7	7
28~39	1	2	4	1	1	6	6
40~50	1	2	4	1	1	5	5

Allconnectors

www.allconnectors.de
Tel.: 0049 711 7005508
20794 Filderstadt - Germany

info@allconnectors.de
Fax: 0049 711 7005504
kettner@allconnectors.de

RoHS Compliant

DRAWING BY CY
CHECKED BY GENIUS
UNIT/mm SCALE 1:1
DATE
SIZE A4

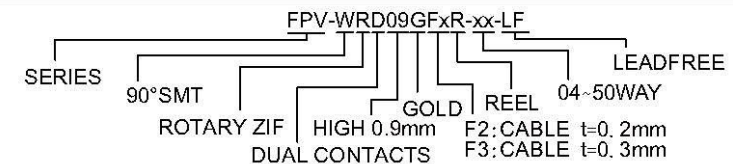
TOLERANCES ARE

X ±
.X ±
.XX ±
.XXX ±
ANG ±

PROJECTION



ORDER INFORMATION



DESCRIPTION: