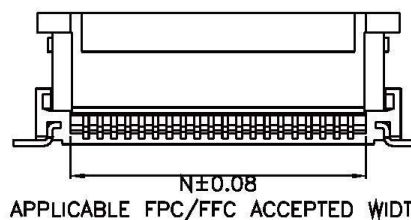


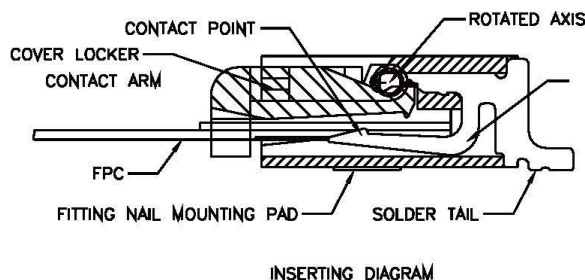
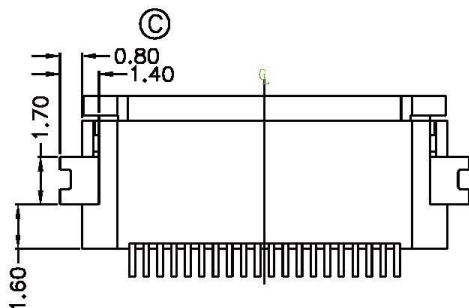
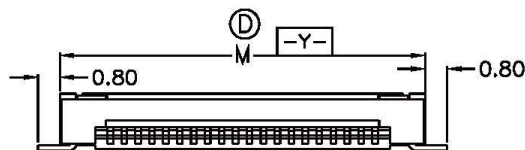
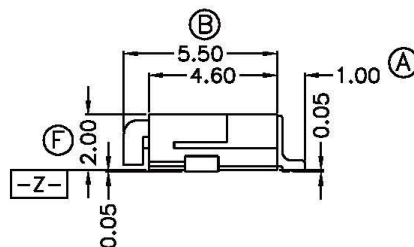
THE MAXIMUM HEIGHT, WHEN THE COVER IS OPEN



Notes:

MATERIAL:

HOUSING : THERMALPLASTIC , HEATPROOF PLASTIC / UL 94V-0
 COVER : THERMALPLASTIC , PPS / UL 94V-0
 CONTACT : PHOSPHOR BRONZE , C5210R-SH , T=0.20mm
 100 ~200m² TIN/LEAD(9:1) OVER 50~100m² NICEL OVER ALL
 FITTING NAIL : PHOSPHOR BRONZE , C5191R-SH , T=0.20mm
 100 ~200m² TIN/LEAD(9:1) OVER 50~100m² NICEL OVER ALL



INSERTING DIAGRAM

PIN	DIMENSION			
	K	L	M	N
4	1.50	5.00	5.10	2.60
5	2.00	5.50	5.60	3.10
6	2.50	6.00	6.10	3.60
7	3.00	6.50	6.60	4.10
8	3.50	7.00	7.10	4.60
9	4.00	7.50	7.60	5.10
10	4.50	8.00	8.10	5.60
11	5.00	8.50	8.60	6.10
12	5.50	9.00	9.10	6.60
13	6.00	9.50	9.60	7.10
14	6.50	10.00	10.10	7.60
15	7.00	10.50	10.60	8.10
16	7.50	11.00	11.10	8.60
17	8.00	11.50	11.60	9.10
18	8.50	12.00	12.10	9.60
19	9.00	12.50	12.60	10.10
20	9.50	13.00	13.10	10.60
21	10.00	13.50	13.60	11.10
22	10.50	14.00	14.10	11.60
23	11.00	14.50	14.60	12.10
24	11.50	15.00	15.10	12.60
25	12.00	15.50	15.60	13.10
26	12.50	16.00	16.10	13.60
27	13.00	16.50	16.60	14.10
28	13.50	17.00	17.10	14.60
29	14.00	17.50	17.60	15.10
30	14.50	18.00	18.10	15.60

PIN	DIMENSION			
	K	L	M	N
31	15.00	18.50	18.60	16.10
32	15.50	19.00	19.10	16.60
33	16.00	19.50	19.60	17.10
34	16.50	20.00	20.10	17.60
35	17.00	20.50	20.60	18.10
36	17.50	21.00	21.10	18.60
37	18.00	21.50	21.60	19.10
38	18.50	22.00	22.10	19.60
39	19.00	22.50	22.60	20.10
40	19.50	23.00	23.10	20.60
41	20.00	23.50	23.60	21.10
42	20.50	24.00	24.10	21.60
43	21.00	24.50	24.60	22.10
44	21.50	25.00	25.10	22.60
45	22.00	25.50	25.60	23.10
46	22.50	26.00	26.10	23.60
47	23.00	26.50	26.60	24.10
48	23.50	27.00	27.10	24.60
49	24.00	27.50	27.60	25.10
50	24.50	28.00	28.10	25.60
51	25.00	28.50	28.60	26.10
52	25.50	29.00	29.10	26.60
53	26.00	29.50	29.60	27.10
54	26.50	30.00	30.10	27.60
55	27.00	30.50	30.60	28.10
56	27.50	31.00	31.10	28.60
57	28.00	31.50	31.60	29.10

RoHS Compliant

All Connectors

www.allconnectors.de info@allconnectors.de
 Tel.: 0049 711 7009503 Fax: 0049 711 7009504
 70794 Filderstadt - Germany Kettenerstr. 25

DRAWING BY CY		TOLERANCES ARE X ± .X ± .XX ± .XXX ± ANG ±
CHECKED BY GENIUS		
UNIT/ mm	SCALE 1 : 1	
DATE		
SIZE A4	PJECTION	



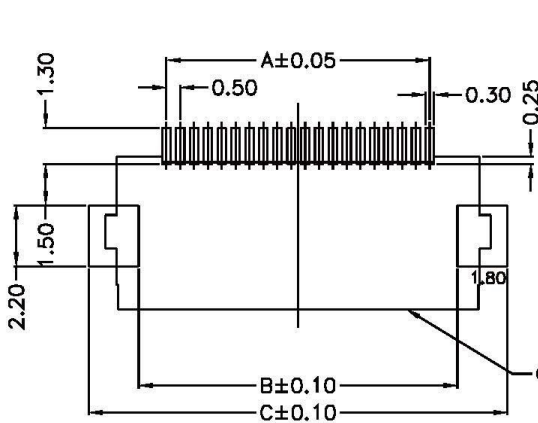
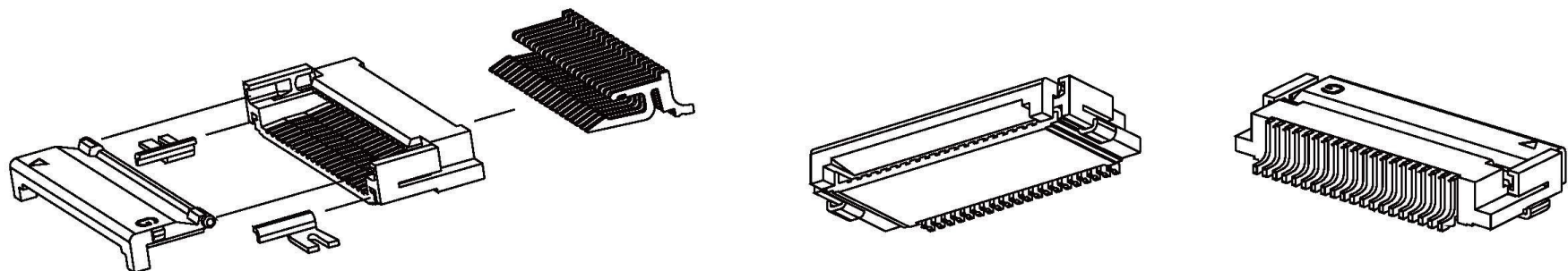
ORDER INFORMATION

FPV-WHB-xx-LF

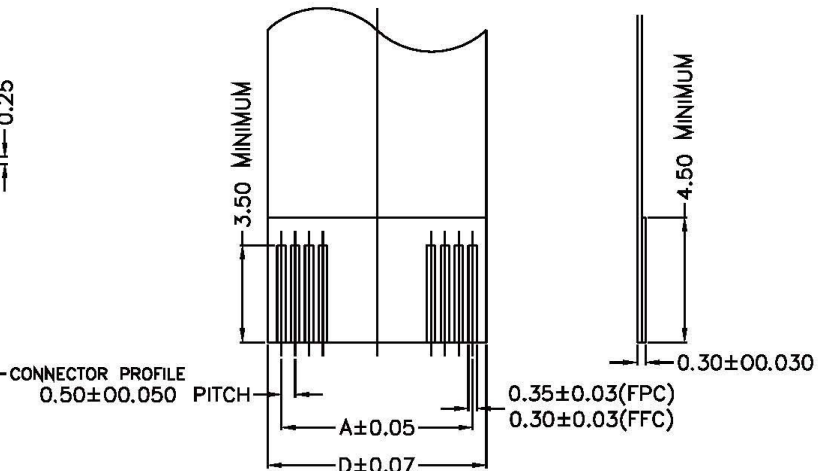
SERIES | LEADFREE

90°SMT | 04~57WAY | BOTTOM CONTACT | HINGED ZIF

DESCRIPTION:



RECOMMENDED PCB LAYOUT COMPONENT SIDE



APPLICABLE FPC RECOMMENDED DIMENSION

PIN	DIMENSION			
	A	B	C	D
4	1.50	3.50	7.10	2.50
5	2.00	4.00	7.60	3.00
6	2.50	4.50	8.10	3.50
7	3.00	5.00	8.60	4.00
8	3.50	5.50	9.10	4.50
9	4.00	6.00	9.60	5.00
10	4.50	6.50	10.10	5.50
11	5.00	7.00	10.60	6.00
12	5.50	7.50	11.10	6.50
13	6.00	8.00	11.60	7.00
14	6.50	8.50	12.10	7.50
16	7.00	9.00	12.60	8.00
16	7.50	9.50	13.10	8.50
17	8.00	10.00	13.60	9.00
18	8.50	10.50	14.10	9.50
19	9.00	11.00	14.60	10.00
20	9.50	11.50	15.10	10.50
21	10.00	12.00	15.60	11.00
22	10.50	12.50	16.10	11.50
23	11.00	13.00	16.60	12.00
24	11.50	13.50	17.10	12.50
25	12.00	14.00	17.60	13.00
26	12.50	14.50	18.10	13.50
27	13.00	15.00	18.60	14.00
28	13.50	15.50	19.10	14.50
29	14.00	16.00	19.60	15.00
30	14.50	16.50	20.10	15.50

PIN	DIMENSION			
	A	B	C	D
31	16.00	17.00	20.60	16.00
32	15.50	17.50	21.10	16.50
33	16.00	18.00	21.60	17.00
34	16.50	18.50	22.10	17.50
35	17.00	19.00	22.60	18.00
36	17.50	19.50	23.10	18.50
37	18.00	20.00	23.60	19.00
38	18.50	20.50	24.10	19.50
39	19.00	21.00	24.60	20.00
40	19.50	21.50	25.10	20.50
41	20.00	22.00	25.60	21.00
42	20.50	22.50	26.10	21.50
43	21.00	23.00	26.60	22.00
44	21.50	23.50	27.10	22.50
45	22.00	24.00	27.60	23.00
46	22.50	24.50	28.10	23.50
47	23.00	25.00	28.60	24.00
48	23.50	25.50	29.10	24.50
49	24.00	26.00	29.60	25.00
50	24.50	26.50	30.10	25.50
51	25.00	27.00	30.60	26.00
52	25.50	27.50	31.10	26.50
53	26.00	28.00	31.60	27.00
54	26.50	28.50	32.10	27.50
55	27.00	29.00	32.60	28.00
56	27.50	29.50	33.10	28.50
57	28.00	30.00	33.60	29.00

Allconnectors

www.allconnectors.de info@allconnectors.de
 Tel.: 0049 711 7009503 Fax: 0049 711 7009504
 70794 Filderstadt - Germany Kettenerstr. 25

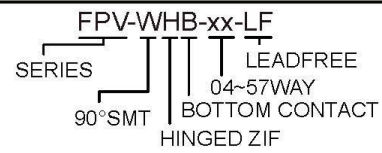
RoHS Compliant

DRAWING BY CY
 CHECKED BY GENIUS
 UNIT/ mm SCALE 1 : 1
 DATE
 SIZE A4 PPROJECTION

TOLERANCES ARE
 X ±
 .X ±
 .XX ±
 .XXX ±
 ANG ±



ORDER INFORMATION



DESCRIPTION: