

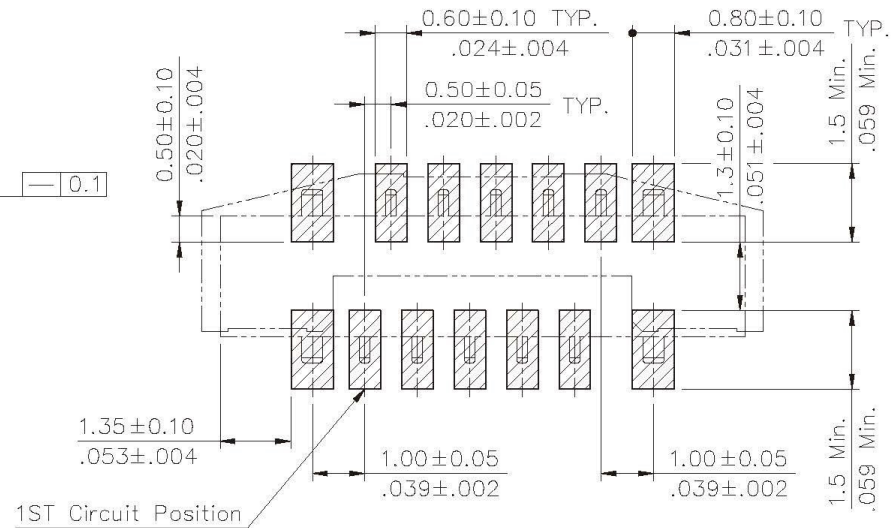
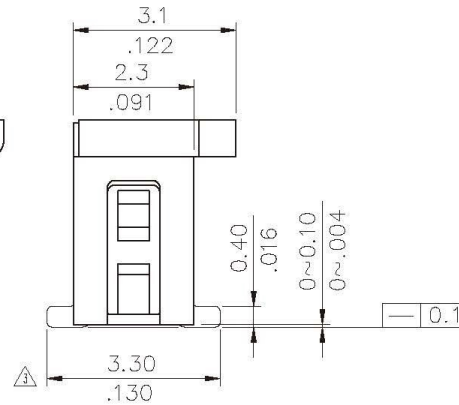
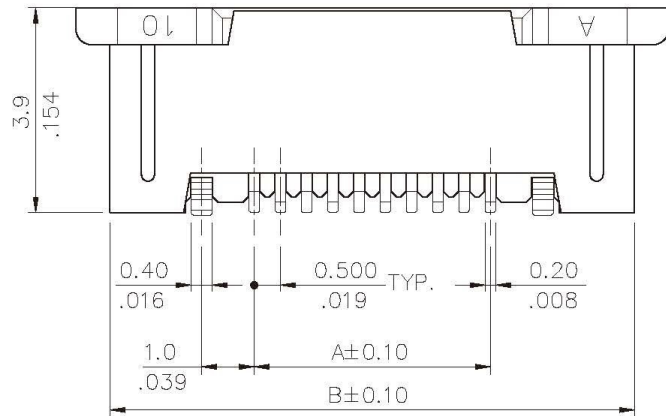
Material :

* Body : NYLON 9T With 33% GF. UL 94V-0, Color Nature

△ * Slider : NYLON 6T With 30% GF. UL 94V-0, Color Black

* Contact : Phosphor Bronze, With Matte Tin plated

* Fixed tab : Brass, With Matte Tin plated



A = 0.50 x No. of Spaces

B = A + 5.5

C = A + 1.2

△ D = A + 6.8

* Available in 4 through 50 circuits

All Connectors

www.allconnectors.de

Tel.: 0049 711 7009503

70794 Filderstadt - Germany

info@allconnectors.de

Fax: 0049 711 7009504

Kettenerstr. 25

RoHS Compliant

DRAWING BY CY

CHECKED BY GENIUS

UNIT/mm

SCALE 1:1

DATE

SIZE A4

TOLERANCES ARE

X ±

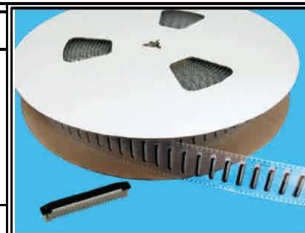
.X ± 0.15

.XX ± 0.10

.XXX ± 0.05

ANG ±

PROJECTION



ORDER INFORMATION

FPV-VZAL39R-xx-LF

SERIES

180°SMT

ZIF

SINGLE CONTACT

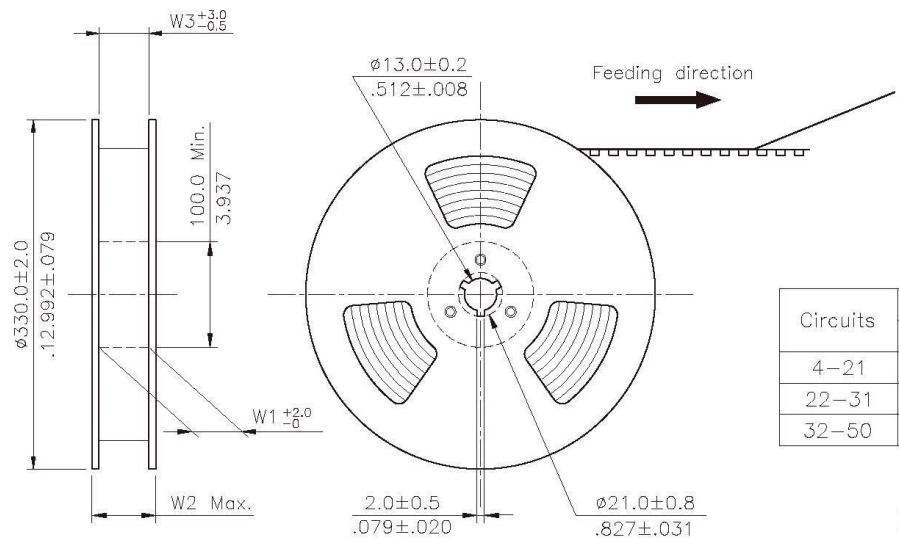
L TYPE FOOT POSITION

REEL

LEAD FREE
04-50WAY

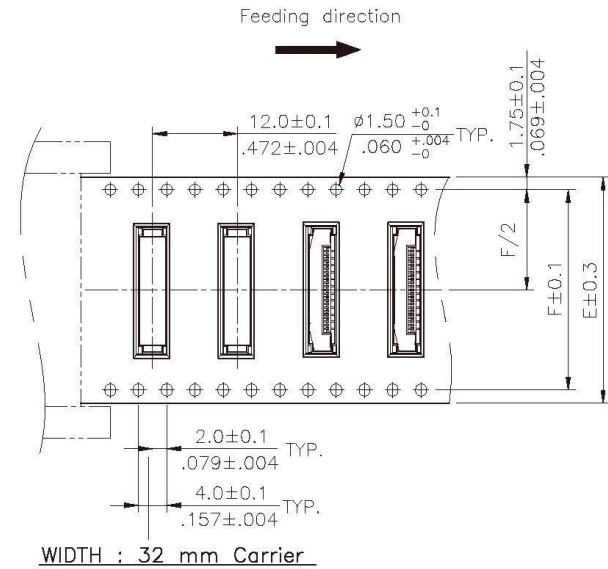
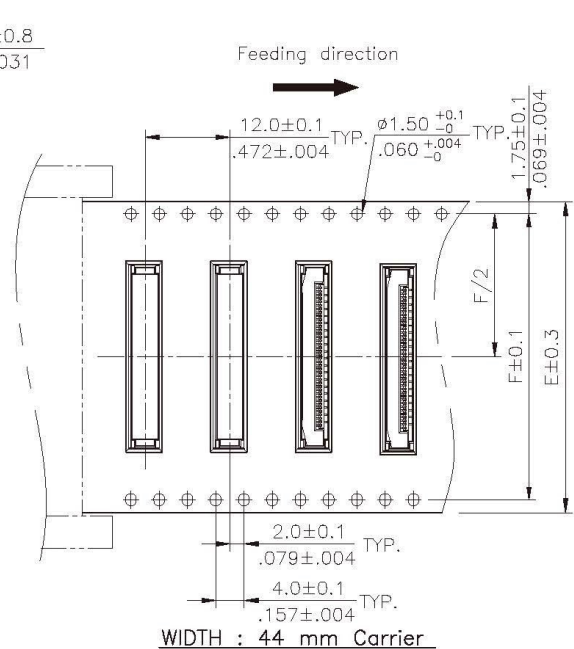
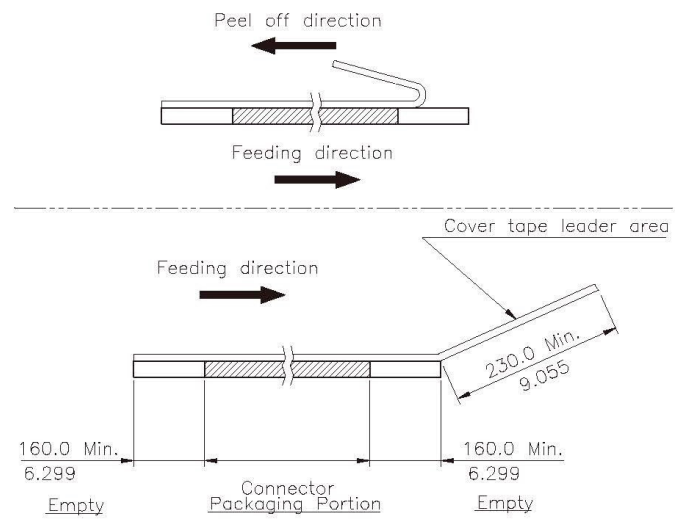
HIGH 3.9mm

DESCRIPTION:



- NOTE :
- * Reel Material : HIPS
 - * Carrier Material : Clear, Conductive Polystyrene Alloy
 - * Cover Tape Material : Polyester
 - * Cover Tape Peel Strength : 0.1N – 1.3N
 - * Carrier camber is within 1mm in 100mm
 - * All dimensions meet EIA-481-2 & EIA-481-3 requirements.
 - * Quantity : 1000 PCS/Reel

| Circuits | Dimension | | | | | Packing (Reel/Caton) |
|----------|-------------|--------------|-------------|-------------|-------------|----------------------|
| | E | F | W1 | W2 | W3 | |
| 4-21 | 24.0(.945) | - | 24.5(.965) | 30.5(1.200) | 24.5(.965) | 9 |
| 22-31 | 32.0(1.260) | 28.40(1.118) | 32.5(1.280) | 38.5(1.516) | 32.5(1.280) | 7 |
| 32-50 | 44.0(1.732) | 40.40(1.596) | 44.5(1.752) | 50.5(1.988) | 44.5(1.752) | 5 |



All Connectors

www.allconnectors.de
Tel.: 0049 711 7009503
70794 Filderstadt - Germany

info@allconnectors.de
Fax: 0049 711 7009504
Kettnerstr. 25

RoHS Compliant

TOLERANCES ARE

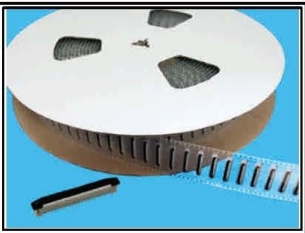
X ±
X ± 0.15
.XX ± 0.10
.XXX ± 0.05
ANG ±

DRAWING BY CY
CHECKED BY GENIUS

UNIT / mm SCALE 1 : 1

DATE

SIZE A4 PROJECTION



ORDER INFORMATION

FPV-VZAL39R-xx-LF

SERIES 180°SMT ZIF SINGLE CONTACT L TYPE FOOT POSITION

LEAD FREE 04-50WAY REEL HIGH 3.9mm

DESCRIPTION: