

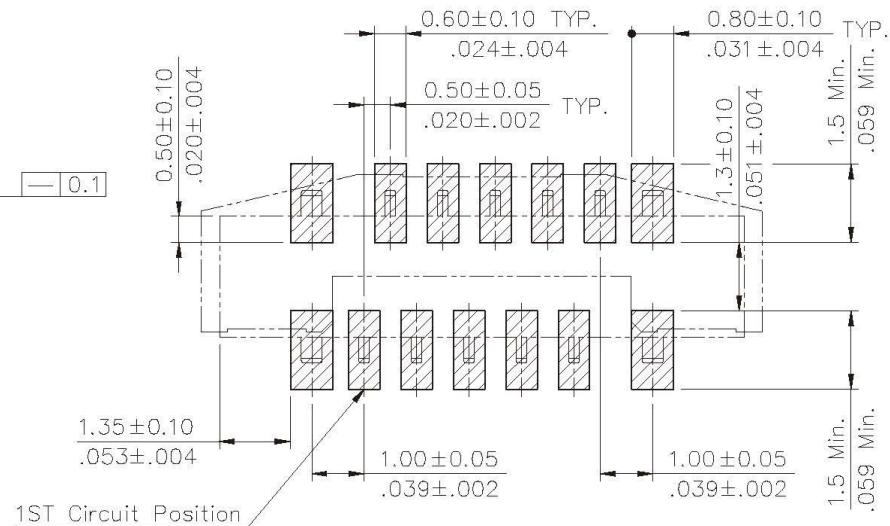
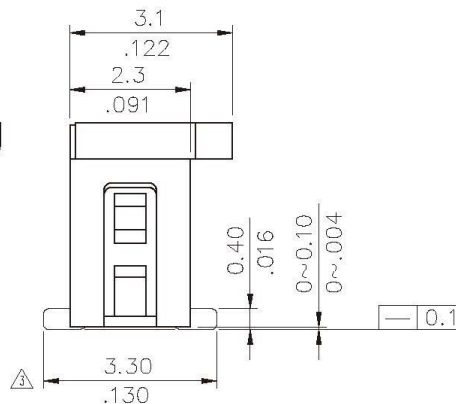
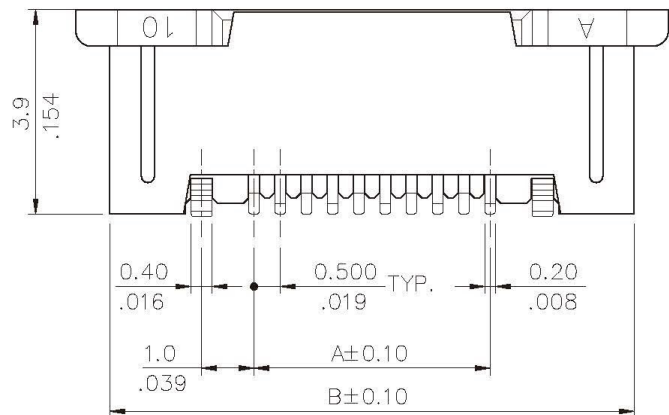
Material :

* Body : NYLON 9T With 33% GF. UL 94V-0, Color Nature

△ * Slider : NYLON 6T With 30% GF. UL 94V-0, Color Black

* Contact : Phosphor Bronze, With Matte Tin plated

* Fixed tab : Brass, With Matte Tin plated



A = 0.50 x No. of Spaces

B = A + 5.5

C = A + 1.2

△ D = A + 6.8

* Available in 4 through 50 circuits

Allconnectors

www.allconnectors.de
Tel.: 0049 711 7009503
70794 Filderstadt - Germany

info@allconnectors.de
Fax: 0049 711 7009504
Kettnerstr. 25

RoHS Compliant

DRAWING BY CY

CHECKED BY GENIUS

UNIT/mm SCALE 1:1

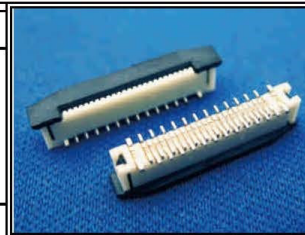
DATE

SIZE A4

TOLERANCES ARE

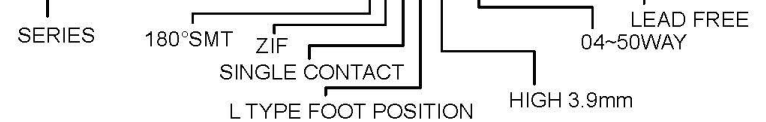
X ±
XX ±0.15
XXX ±0.10
XXX ±0.05
ANG ±

PROJECTION



ORDER INFORMATION

FPV-VZAL39-xx-LF



DESCRIPTION: