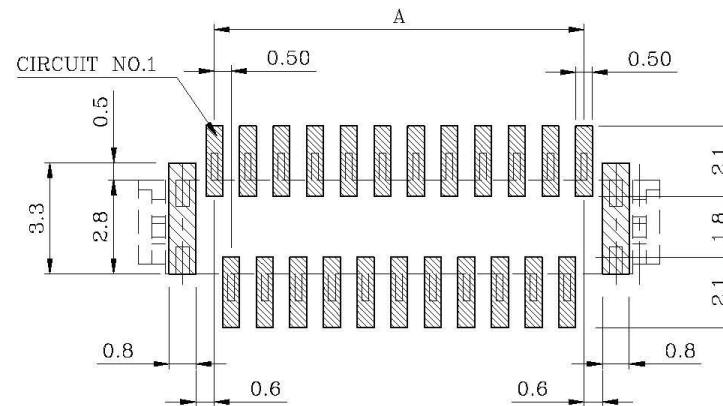
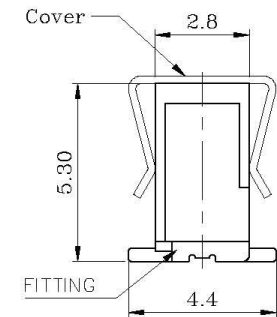
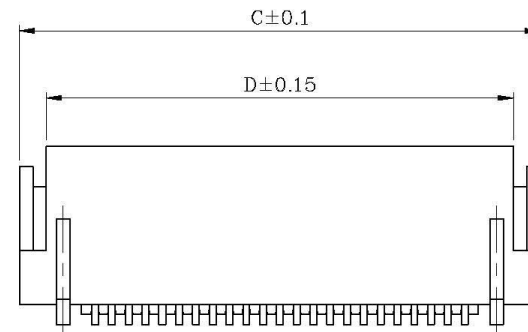
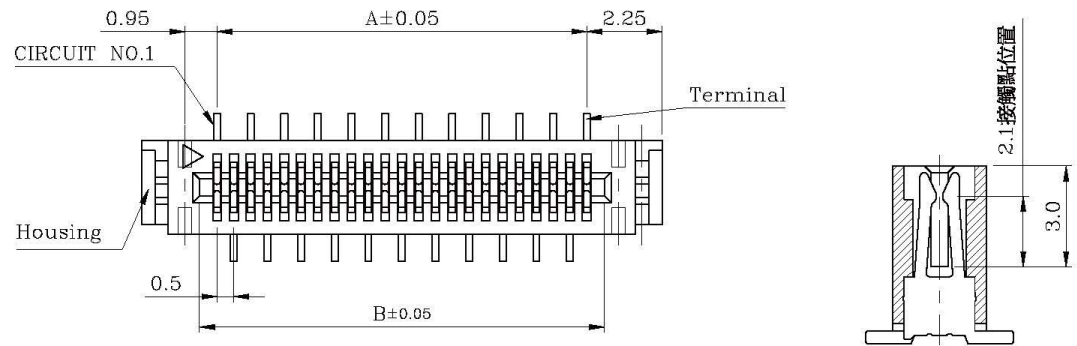


NOTES:

1.MATERIAL:

HOUSING: NYLON UL94V-0  
 TERMINAL: PHOSPER BRONZE  
 G:TIN Plated (t=0.2), Contact Gold Flash  
 N:MATT TIN  
 I:GOLD FLASH OVER ALL  
 FITTING NAIL: BRONZE  
 TIN Plated (t=0.4) / MATT TIN / GOLD FLASH

CKT	A	B	C	D	Cover	CKT	A	B	C	D	Cover
4	1.5	2.55	6.0	4.4		30	14.5	15.55	19.0	17.4	
5	2.0	3.05	6.5	4.9		31	15.0	16.05	19.5	17.9	
6	2.5	3.55	7.0	5.4		32	15.5	16.55	20.0	18.4	
7	3.0	4.05	7.5	5.9		33	16.0	17.05	20.5	18.9	
8	3.5	4.55	8.0	6.4		34	16.5	17.55	21.0	19.4	
9	4.0	5.05	8.5	6.9		35	17.0	18.05	21.5	19.9	
10	4.5	5.55	9.0	7.4		36	17.5	18.55	22.0	20.4	
11	5.0	6.05	9.5	7.9		37	18.0	19.05	22.5	20.9	
12	5.5	6.55	10.0	8.4		38	18.5	19.55	23.0	21.4	
13	6.0	7.05	10.5	8.9		39	19.0	20.05	23.5	21.9	
14	6.5	7.55	11.0	9.4		40	19.5	20.55	24.0	22.4	
15	7.0	8.05	11.5	9.9		41	20.0	21.05	24.5	22.9	
16	7.5	8.55	12.0	10.4		42	20.5	21.55	25.0	23.4	
17	8.0	9.05	12.5	10.9		43	21.0	22.05	25.5	23.9	
18	8.5	9.55	13.0	11.4		44	21.5	22.55	26.0	24.4	
19	9.0	10.05	13.5	11.9		45	22.0	23.05	26.5	24.9	
20	9.5	10.55	14.0	12.4		46	22.5	23.55	27.0	25.4	
21	10.0	11.05	14.5	12.9		47	23.0	24.05	27.5	25.9	
22	10.5	11.55	15.0	13.4		48	23.5	24.55	28.0	26.4	
23	11.0	12.05	15.5	13.9		49	24.0	25.05	28.5	26.9	
24	11.5	12.55	16.0	14.4		50	24.5	25.55	29.0	27.4	
25	12.0	13.05	16.5	14.9		51	25.0	26.05	29.5	27.9	
26	12.5	13.55	17.0	15.4		52	25.5	26.55	30.0	28.4	
27	13.0	14.05	17.5	15.9		53	26.0	27.05	30.5	28.9	
28	13.5	14.55	18.0	16.4							
29	14.0	15.05	18.5	16.9							



PC. BOARD LAYOUT

**All Connectors**

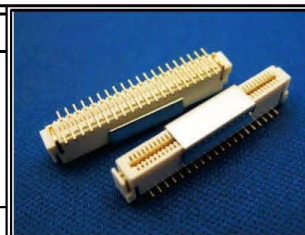
www.allconnectors.de info@allconnectors.de  
 Tel.: 0049 711 7009503 Fax: 0049 711 7009504  
 70794 Filderstadt - Germany Kettenerstr. 25

**RoHS Compliant**

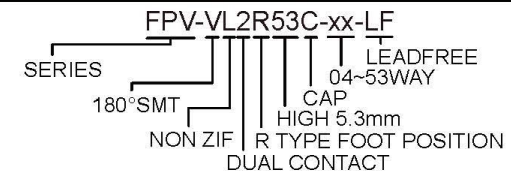
DRAWING BY CY  
 CHECKED BY GENIUS  
 UNIT/mm SCALE 1:1  
 DATE  
 SIZE A4 PROJECTION

TOLERANCES ARE

X ±  
 X ±  
 .XX ±  
 .XXX ±  
 ANG ±



ORDER INFORMATION



DESCRIPTION: 0.5mm NON-ZIF FPC CONN. SMT,S/T,D/C TYPE III