

## 0.50mm .020" Center FPC/ FFC Connector

www.allconnectors.de  
Tel.: 0049 711 7009503  
70794 Filderstadt - Germany

info@allconnectors.de  
Fax: 0049 711 7009504  
Kettnerstr. 25

### F0510 Series

#### ■ FPC/ FFC

Part No.: F0510-xxP-G-HF

#### Specifications

Electrical

Voltage Rating: 50V AC/ DC

Current Rating: 0.4A

Temperature Range: -40~+85°C

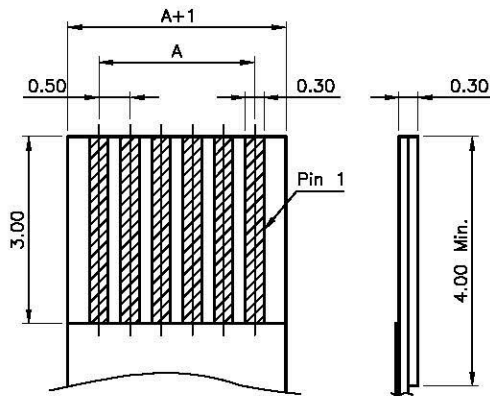
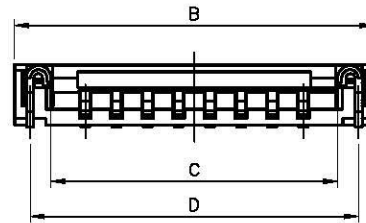
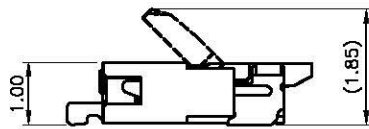
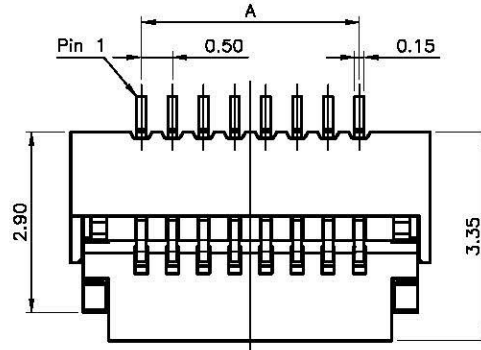
#### Material

Housing: Thermal Plastic, UL 94V-0

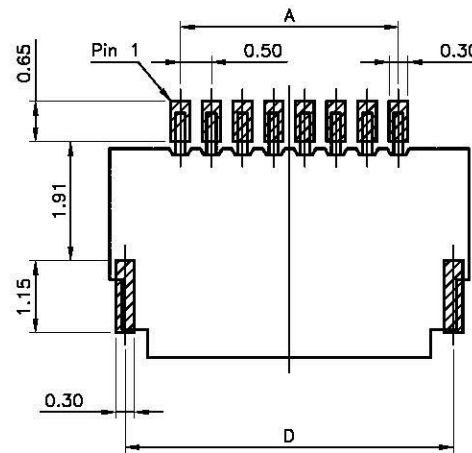
Cover: Thermal Plastic, UL 94V-0

Terminal: Copper Alloy, Gold plated

Fitting: Copper Alloy, Tin plated



APPLICABLE FPC/ FFC



PCB PATTREN LAYOUT

### Ordering Information and Dimensions

CIRCUITS	PART NO.	DIMENSION			
		A	B	C	D
04	F0510-04P-G-HF	1.50	3.77	2.60	3.27
06	F0510-06P-G-HF	2.50	4.77	3.60	4.27
08	F0510-08P-G-HF	3.50	5.77	4.60	5.27
10	F0510-10P-G-HF	4.50	6.77	5.60	6.27
20	F0510-20P-G-HF	9.50	11.77	10.60	11.27
22	F0510-22P-G-HF	10.50	12.77	11.60	12.27
24	F0510-24P-G-HF	11.50	13.77	12.60	13.27
30	F0510-30P-G-HF	14.50	16.77	15.60	16.27
40	F0510-40P-G-HF	19.50	21.77	20.60	21.27
50	F0510-50P-G-HF	24.50	26.77	25.60	26.27