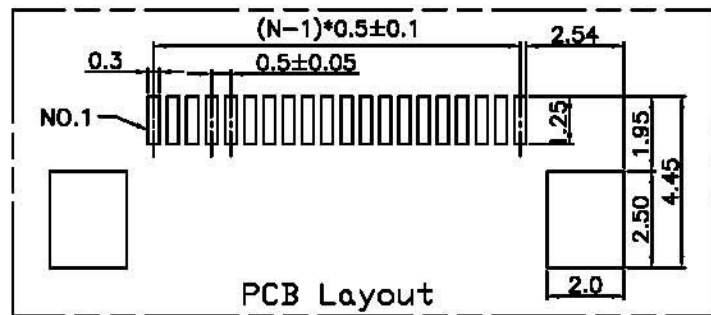
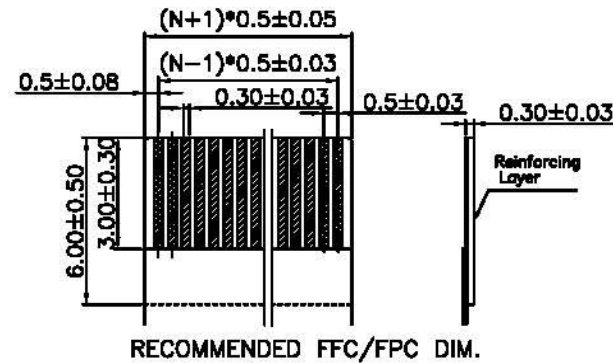
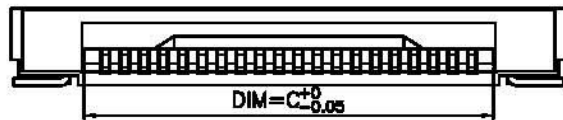
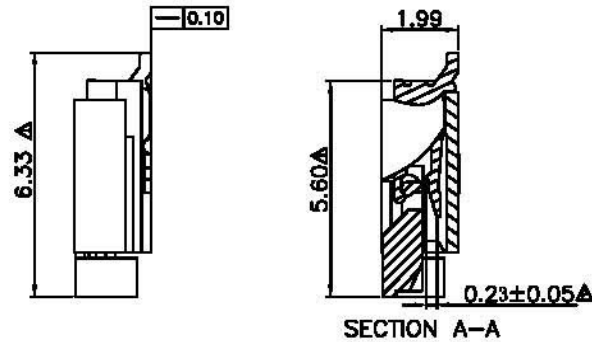
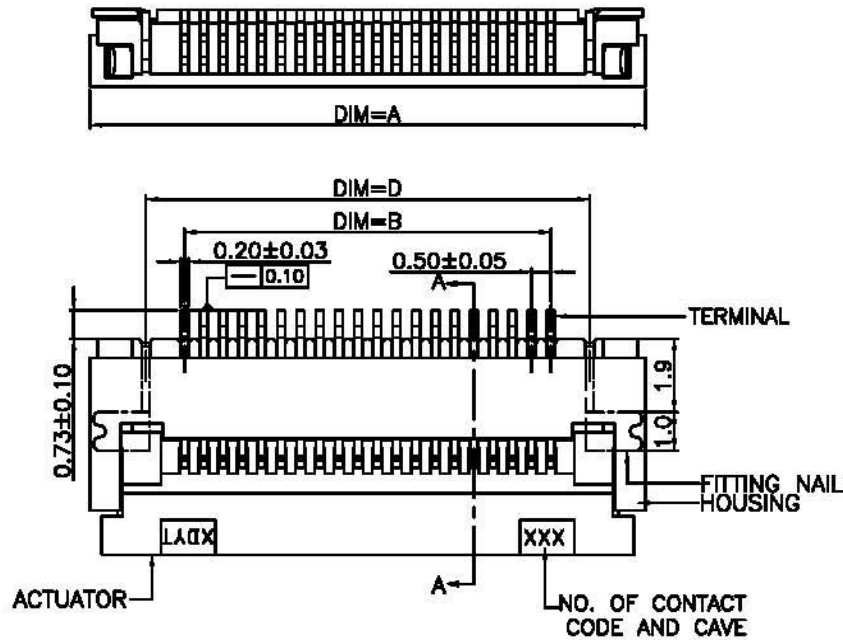


REV.	EQN.NO.	MODIFY.CONTENT	DATE
A			

PIN数	Dimension			
	A	B	C	D
4	6.40	1.50	2.60	3.50
5	6.90	2.00	3.10	4.00
6	7.40	2.50	3.60	4.50
7	7.90	3.00	4.10	5.00
8	8.40	3.50	4.60	5.50
9	8.90	4.00	5.10	6.00
10	9.40	4.50	5.60	6.50
11	9.90	5.00	6.10	7.00
12	10.40	5.50	6.60	7.50
13	10.90	6.00	7.10	8.00
14	11.40	6.50	7.60	8.50
15	11.90	7.00	8.10	9.00
16	12.40	7.50	8.60	9.50
17	12.90	8.00	9.10	10.00
18	13.40	8.50	9.60	10.50
19	13.90	9.00	10.10	11.00
20	14.40	9.50	10.60	11.50
21	14.90	10.00	11.10	12.00
22	15.40	10.50	11.60	12.50
23	15.90	11.00	12.10	13.00
24	16.40	11.50	12.60	13.50
25	16.90	12.00	13.10	14.00
26	17.40	12.50	13.60	14.50
27	17.90	13.00	14.10	15.00
28	18.40	13.50	14.60	15.50
29	18.90	14.00	15.10	16.00
30	19.40	14.50	15.60	16.50
31	19.90	15.00	16.10	17.00
32	20.40	15.50	16.60	17.50
33	20.90	16.00	17.10	18.00
34	21.40	16.50	17.60	18.50
35	21.90	17.00	18.10	19.00
36	22.40	17.50	18.60	19.50
37	22.90	18.00	19.10	20.00
38	23.40	18.50	19.60	20.50
39	23.90	19.00	20.10	21.00
40	24.40	19.50	20.60	21.50
41	24.90	20.00	21.10	22.00
42	25.40	20.50	21.60	22.50
43	25.90	21.00	22.10	23.00
44	26.40	21.50	22.60	23.50
45	26.90	22.00	23.10	24.00
46	27.40	22.50	23.60	24.50
47	27.90	23.00	24.10	25.00
48	28.40	23.50	24.60	25.50
49	28.90	24.00	25.10	26.00
50	29.40	24.50	25.60	26.50
51	29.90	25.00	26.10	27.00
52	30.40	25.50	26.60	27.50
53	30.90	26.00	27.10	28.00
54	31.40	26.50	27.60	28.50
55	31.90	27.00	28.10	29.00
56	32.40	27.50	28.60	29.50
57	32.90	28.00	29.10	30.00
58	33.40	28.50	29.60	30.50
59	33.90	29.00	30.10	31.00
60	34.40	29.50	30.60	31.50

NOTES:

- Insulator: Thermo plastic (UL94V-0)
- Actuator: Thermo plastic (UL94V-0)
- Terminal: Phosphor Bronze matte tin plated
- ME: Brass Matte tin plated



GENERAL TOLERANCE		DRAWN	DATE	SCALE	PART NO.	0.5PITCH FPC Conn
X.	±0.30	x. ± 1'	CHECKED	1/1	TITLE	0.5 Pitch FPC Connector H 2.0
X.X	±0.25	.x ±0.1'	APPROVED		MM	成品SPEC图
X.XX	±0.20		File NO.			
X.XXX	±0.10		REV.			
SHEET	1/1	QTY	1	A		