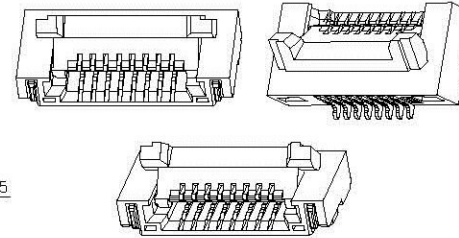
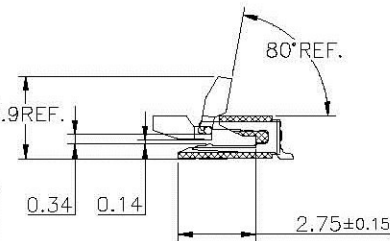
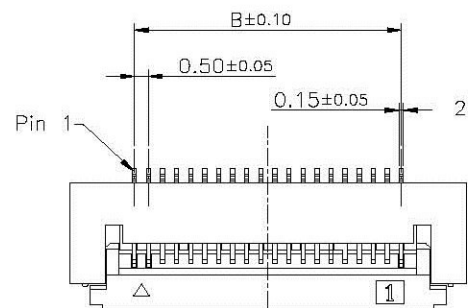
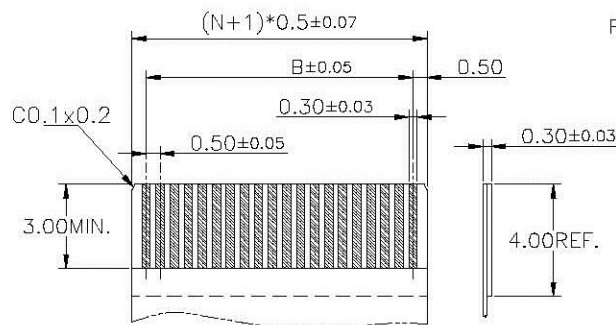
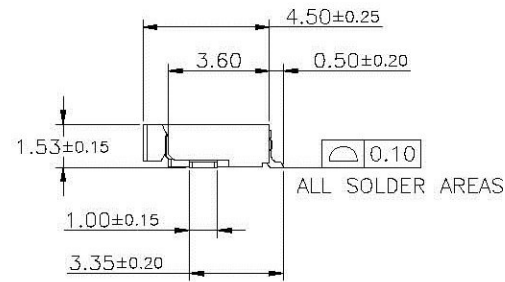
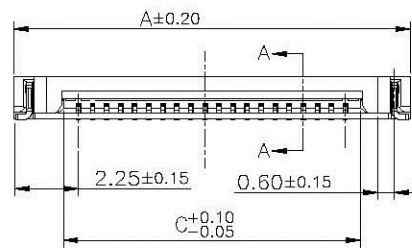


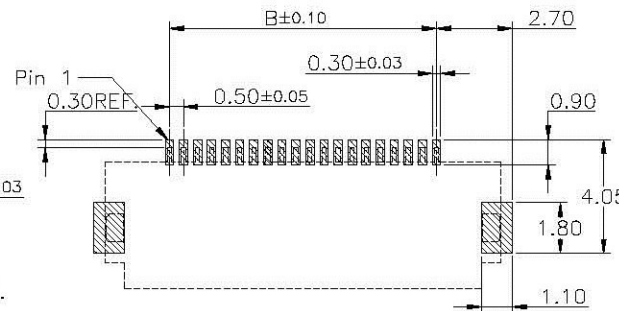
REV.	ECN.NO.	MODIFY.CONTENT	DATE
A		初版发行	03/30'13



SECTION A-A



APPLICABLE FFC  
TOLERANCE: ±0.05



RECOMMEND PCB LAYOUT  
TOLERANCE: ±0.05

NOTES:

- MATERIAL:  
HOUSING: HIGH-TEMP PLASTIC, UL 94-V0, COLOR: NATURE;  
COVER: HIGH-TEMP PLASTIC, UL 94-V0, COLOR: BLACK;  
CONTACT: COPPER ALLOY;  
LEG: Brass;
- PLATING:  
CONTACT: GOLD OR TIN PLATED ON NICKEL OVERALL;  
LEG: TIN PLATED ON NICKEL OVERALL.
- RATING:  
CURRENT RATING: 0.5A AC/DC  
VOLTAGE RATING: 25V AC/DC  
TEMPERATURE RANGE: -25°C~+85°C;
- PART NO:

PIN NO.	DIM.A	DIM.B	DIM.C	PIN NO.	DIM.A	DIM.B	DIM.C	PIN NO.	DIM.A	DIM.B	DIM.C
4	6.10	1.50	2.57	23	15.60	11.00	12.07	42	25.10	20.50	21.57
5	6.60	2.00	3.07	24	16.10	11.50	12.57	43	25.60	21.00	22.07
6	7.10	2.50	3.57	25	16.60	12.00	13.07	44	26.10	21.50	22.57
7	7.60	3.00	4.07	26	17.10	12.50	13.57	45	26.60	22.00	23.07
8	8.10	3.50	4.57	27	17.60	13.00	14.07	46	27.10	22.50	23.57
9	8.60	4.00	5.07	28	18.10	13.50	14.57	47	27.60	23.00	24.07
10	9.10	4.50	5.57	29	18.60	14.00	15.07	48	28.10	23.50	24.57
11	9.60	5.00	6.07	30	19.10	14.50	15.57	49	28.60	24.00	25.07
12	10.10	5.50	6.57	31	19.60	15.00	16.07	50	29.10	24.50	25.57
13	10.60	6.00	7.07	32	20.10	15.50	16.57	51	29.60	25.00	26.07
14	11.10	6.50	7.57	33	20.60	16.00	17.07	52	30.10	25.50	26.57
15	11.60	7.00	8.07	34	21.10	16.50	17.57	53	30.60	26.00	27.07
16	12.10	7.50	8.57	35	21.60	17.00	18.07	54	31.10	26.50	27.57
17	12.60	8.00	9.07	36	22.10	17.50	18.57	55	31.60	27.00	28.07
18	13.10	8.50	9.57	37	22.60	18.00	19.07	56	32.10	27.50	28.57
19	13.60	9.00	10.07	38	23.10	18.50	19.57	57	32.60	28.00	29.07
20	14.10	9.50	10.57	39	23.60	19.00	20.07	58	33.10	28.50	29.57
21	14.60	10.00	11.07	40	24.10	19.50	20.57	59	33.60	29.00	30.07
22	15.10	10.50	11.57	41	24.60	20.00	21.07	60	34.10	29.50	30.57

GENERAL TOLERANCE		DRAWN	March.he	10/25'13	SCALE	PART NO.	<b>B0516F**TDM2</b>	
X.±0.30	x.'±1*	CHECKED	Fan.Zhao	10/25'13	N/A	TITLE	FPC 0.5Pitch 1.5H掀盖式 connector	
.X±0.25	.X'±0.1*	APPROVED	Qiyu.li	10/25'13	UNITS	mm	<b>成品SPEC图</b>	
.XX±0.20		File NO.	<b>B051601S</b>					
.XXX±0.10		REV.						
SHEET	1/1	QTY	1	A	<a href="http://www.allconnector.com">www.allconnector.com</a> TEL: 0086 21 3005503 FAX: 0086 21 3005504 <a href="mailto:info@allconnector.com">info@allconnector.com</a> <a href="mailto:pass@allconnector.com">pass@allconnector.com</a>			