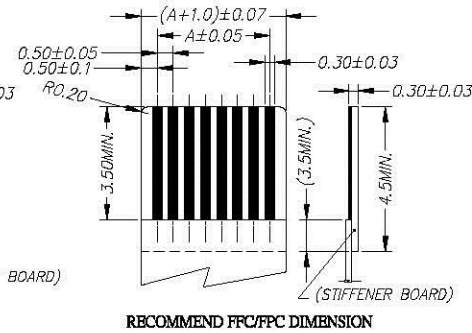
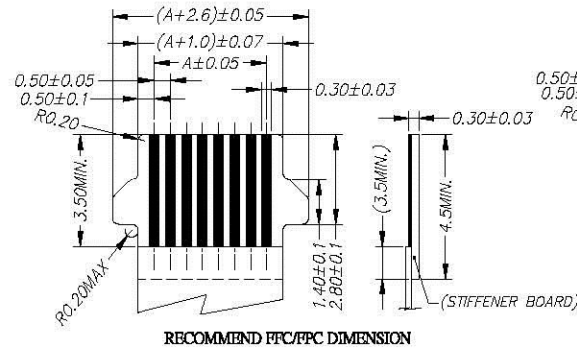
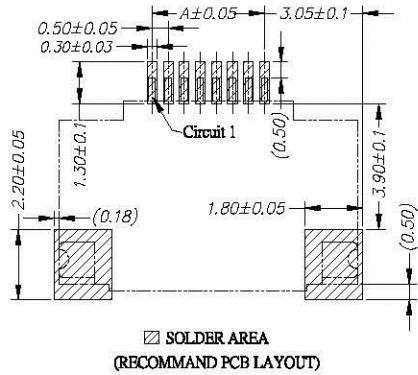


REV.	ECN.NO.	MODIFY.CONTENT	DATE
A		初版发行	01/12'13
B1		BASE 结构变更	09/26'13



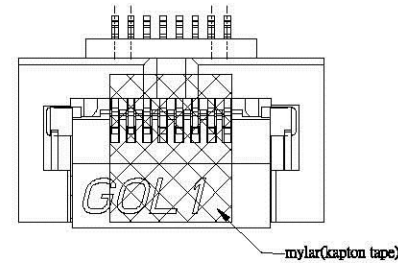
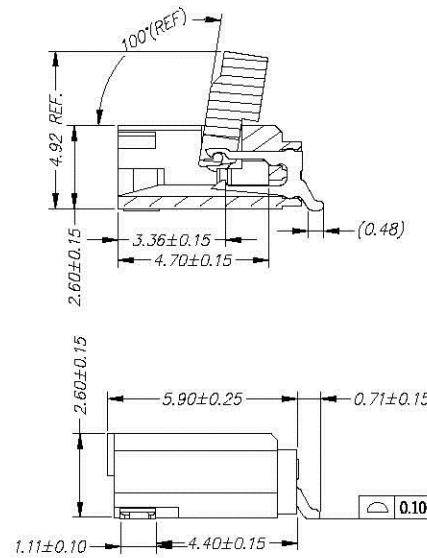
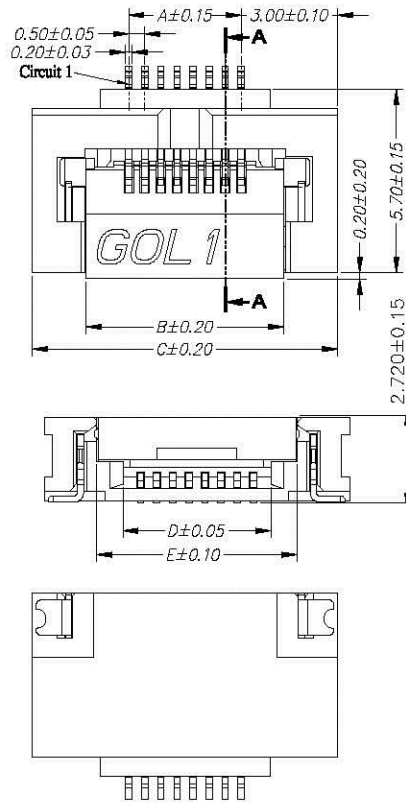
NOTES:

Insulator: LCP;UL94V-0 Rated (Color: Black)
 Actuator: LCP;UL94V-0 Rated (Color: Black)
 Terminal: Phosphor Bronze
 ME: Brass/ Matte Tin-plated
 Terminal Plating: See ordering information
 Current Rating: 0.5A AC,DC
 Voltage Rating: 50V AC,DC
 Temperature range: -25°C~+85°C
 Contact resistance: 30mΩ Max
 Insulation resistance: 100MΩ Min
 Withstand voltage: 250V,AC/minute

Ordering Information :

B 0509 F *** D M *
 1 2 3 4

- No. of circuits
- Plating :
 T=Tin plated 80μ min(雾锡) , over 30~50μ nickel overall
 U=Gold flash over 30~50μ nickel overall
- Contact type :
 D: Lower contact
- Terminal type +packing type :
 M1: Smt type & tube packing (无mylar)
 M2: Smt type & tape reel (无mylar)
 M3: Smt type & tape reel & 加 mylar



E	D	C	B	A	No. of Contacts
42.25	40.80	45.50	42.15	39.5	80
34.25	32.60	37.50	34.15	31.5	64

GENERAL TOLERANCE		DRAWN	Qiang.zhang	09/26'13	SCALE	PART NO.	B0509F**UDM3	
X.	±0.30	x.'±	1°	CHECKED		1/1	TITLE	0.5 Pitch FPC
X.X	±0.25	.x '±	0.1°	APPROVED		UNITS	mm	成品SPEC图
X.XX	±0.20			File NO.	B050901S			
X.XXX	±0.10			REV.				
SHEET	1/1	Q'TY	1	B1			www.allconnectors.de Tel: 0649 711 2009509 70724 Hildersdorf, Germany info@allconnectors.de Fax: 0649 711 2009504 hildersdorf.de	