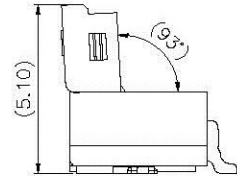
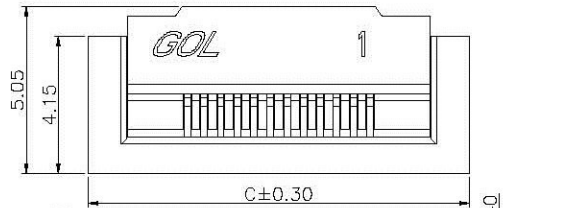


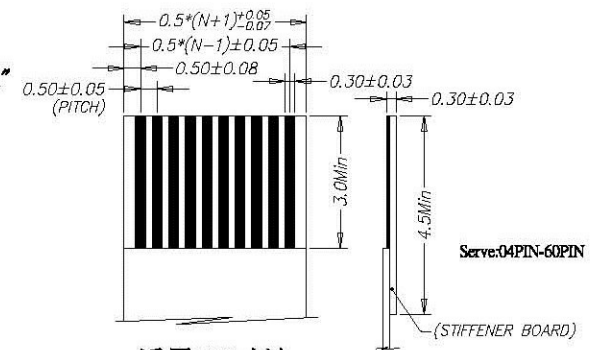
REV.	ECN.NO.	MODIFY.CONTENT	DATE
C		产品加厚, 增加40PIN	09.27-13



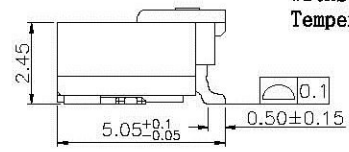
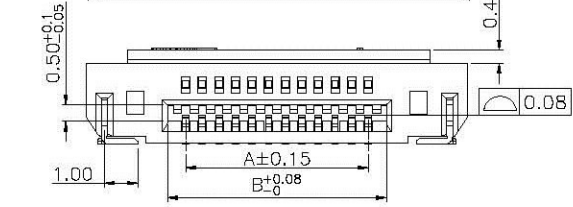
NOTES:

Insulator: LCP;UL94V-0 Rated (Color: Ivory)
 Actuator: LCP;UL94V-0 Rated (Color: Black)
 Terminal: Phosphor Bronze
 ME: Brass/Plating Tin 80u"Min Ni 30~70u"
 Plating: See ordering information

Voltage Rating: 50V AC Max
 Contact Resistance: 20mΩ Max
 Insulation Resistance: 50MΩ Min
 Withstanding Voltage: 250V AC/minute
 Temperature Range: -25℃~+85℃



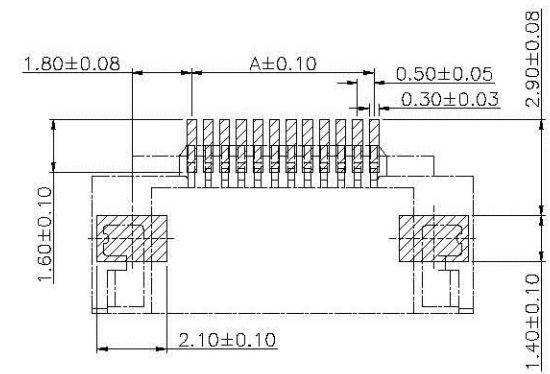
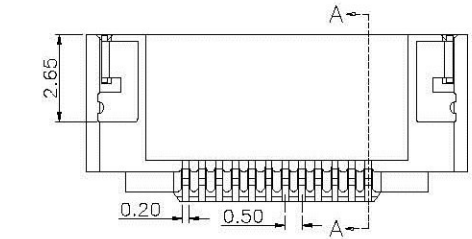
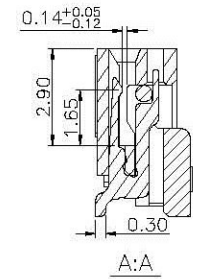
适用FPC寸法
APPLICABLE FPC



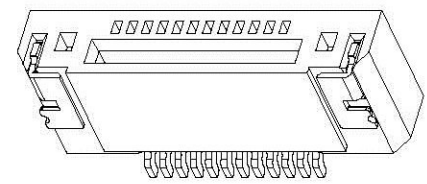
Ordering Information :

B 0504 F * D M ***
 1 2 3 4

- No. of circuits
- Plating :
 T= Tin plated 80u" min (雾锡)
 over 30~70 u" nickel overall
 U= Gold flash over 30~70u"
 nickel overall
- Contact type :
 D: Lower contact
- Terminal type +packing type :
 M1: Smt type & tube packing
 M2: Smt type & tape reel



☒ SOLDER AREA
(RECOMMEND PCB LAYOUT)



32	15.5	16.6	21.5				
31	15.0	16.1	21.0	60	29.5	30.6	35.5
30	14.5	15.6	20.5	59	29.0	30.1	35.0
29	14.0	15.1	20.0	58	28.5	29.6	34.5
28	13.5	14.6	19.5	57	28.0	29.1	34.0
27	13.0	14.1	19.0	56	27.5	28.6	33.5
26	12.5	13.6	18.5	55	27.0	28.1	33.0
25	12.0	13.1	18.0	54	26.5	27.6	32.5
24	11.5	12.6	17.5	53	26.0	27.1	32.0
23	11.0	12.1	17.0	52	25.5	26.6	31.5
22	10.5	11.6	16.5	51	25.0	26.1	31.0
21	10.0	11.1	16.0	50	24.5	25.6	30.5
20	9.5	10.6	15.5	49	24.0	25.1	30.0
19	9.0	10.1	15.0	48	23.5	24.6	29.5
18	8.5	9.6	14.5	47	23.0	24.1	29.0
17	8.0	9.1	14.0	46	22.5	23.6	28.5
16	7.5	8.6	13.5	45	22.0	23.1	28.0
15	7.0	8.1	13.0	44	21.5	22.6	27.5
14	6.5	7.6	12.5	43	21.0	22.1	27.0
13	6.0	7.1	12.0	42	20.5	21.6	26.5
12	5.5	6.6	11.5	41	20.0	21.1	26.0
11	5.0	6.1	11.0	40	19.5	20.6	25.5
10	4.5	5.6	10.5	39	19.0	20.1	25.0
9	4.0	5.1	10.0	38	18.5	19.6	24.5
8	3.5	4.6	9.5	37	18.0	19.1	24.0
7	3.0	4.1	9.0	36	17.5	18.6	23.5
6	2.5	3.6	8.5	35	17.0	18.1	23.0
5	2.0	3.1	8.0	34	16.5	17.6	22.5
4	1.5	2.6	7.5	33	16.0	17.1	22.0
No. of Contacts	A	B	C	No. of Contacts	A	B	C

GENERAL TOLERANCE		DRAWN	Qiang.zhang	09.27-13	SCALE	PART NO.	B0504F***DM*
X. ±0.30	x. ±1°	CHECKED	jack.zhang	09.27-13	1/1	TITLE	0.5 Pitch FPC 后翻盖
X.X ±0.25	.x ±0.1°	APPROVED	yewen.xie	09.27-13	UNITS	mm	成品SPEC图
X.XX ±0.20		File NO.	B050401S				
X.XXX ±0.10		REV.					
SHEET	1/1	QTY	1	C	www.allenconnectors.de Tel: +49 224 2089504 20224 Faldersloh - Germany		