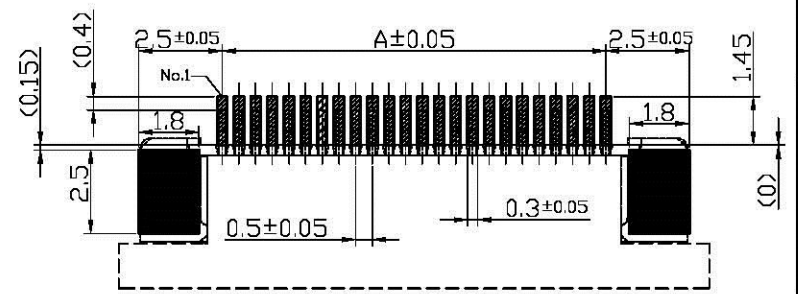
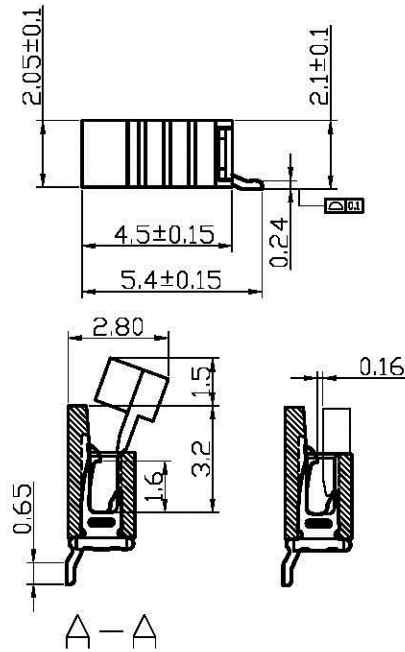
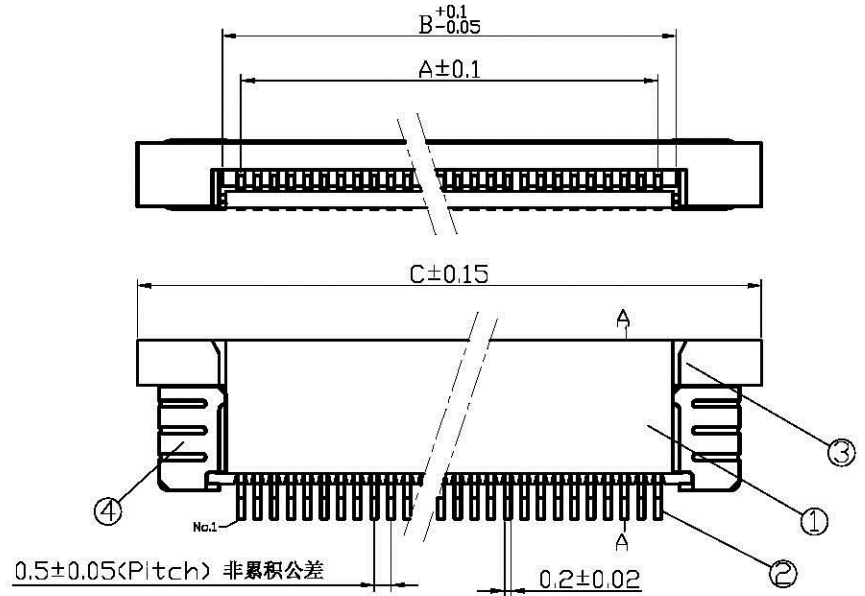
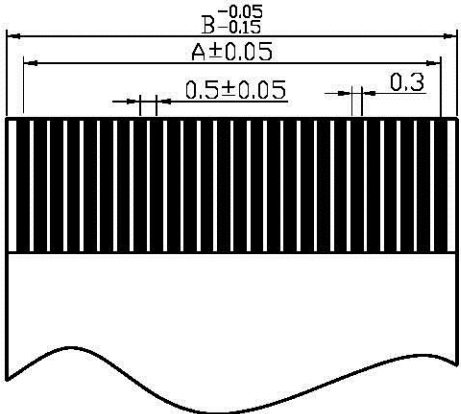


REV.	ECN.NO.	MODIFY.CONTENT	DATE
A			2010-7-14



适用线路板
RECOMMENDED PCB LAYOUT

0.5±0.05(Pitch) 非累积公差



适用FPC寸法
APPLICABLE FPC

- 技术指标:
1. 塑件表面应光洁、无毛刺、明显收缩缺陷、裂纹等现象;
 2. 温度范围: -25°C~85°C;
 3. 额定电压: 50V AC DC(等效);
 4. 接触电阻: ≤0.03Ω;
 5. 绝缘电阻: ≥500MΩ;
 6. 耐压: 500V AC/minute.

- B0502F**TDM*
- 1: TUBE管包装焊片全封
 - 2: RELL包装焊片半封
 - 3: RELL包装焊片全封

PIN数	A	B	C	PIN数	A	B	C
4	1.5	2.6	7.7	33	16	17.1	22.2
5	2	3.1	8.2	34	16.5	17.6	22.7
6	2.5	3.6	8.7	35	17	18.1	23.2
7	3	4.1	9.2	36	17.5	18.6	23.7
8	3.5	4.6	9.7	37	18	19.1	24.2
9	4	5.1	10.2	38	18.5	19.6	24.7
10	4.5	5.6	10.7	39	19	20.1	25.2
11	5	6.1	11.2	40	19.5	20.6	25.7
12	5.5	6.6	11.7	41	20	21.1	26.2
13	6	7.1	12.2	42	20.5	21.6	26.7
14	6.5	7.6	12.7	43	21	22.1	27.2
15	7	8.1	13.2	44	21.5	22.6	27.7
16	7.5	8.6	13.7	45	22	23.1	28.2
17	8	9.1	14.2	46	22.5	23.6	28.7
18	8.5	9.6	14.7	47	23	24.1	29.2
19	9	10.1	15.2	48	23.5	24.6	29.7
20	9.5	10.6	15.7	49	24	25.1	30.2
21	10	11.1	16.2	50	24.5	25.6	30.7
22	10.5	12.6	16.7	51	25	26.1	31.2
23	11	12.1	17.2	52	25.5	26.6	31.7
24	11.5	13.6	17.7	53	26	27.1	32.2
25	12	13.1	18.2	54	26.5	27.6	32.7
26	12.5	14.6	18.7	55	27	28.1	33.2
27	13	14.1	19.2	56	27.5	28.6	33.7
28	13.5	15.6	19.7	57	28	29.1	34.2
29	14	15.1	20.2	58	28.5	29.6	34.7
30	14.5	15.6	20.7	59	29	30.1	35.2
31	15	16.1	21.2	60	29.5	30.6	35.7
32	15.5	16.6	21.7				

序号	名称	材料	数量	备注
4	插针 Fitting Nail	磷青铜 Phosphor Bronze	2	电镀镍: 整个表面镀镍50u"MIN, 厚镀镍 120u"MIN.
3	执行器 Actuator	PPS(UL94V-0)	1	盐/酸
2	端子 Contact	磷青铜 Phosphor Bronze	n*1	电镀镍: 整个表面镀镍50u"MIN, 厚镀镍 120u"MIN.
1	插座 Housing	PA9T (UL94V-0)	1	盐

GENERAL TOLERANCE		DRAWN	QIANG	01/18-11	SCALE	PART NO.	B0502F**TDM*
X.	±0.30	x°±1°	CHECKED		1/1	TITLE	0.5mm Pitch FPC
X.X	±0.25	x°±0.1°	APPROVED		UNITS	mm	成品SPEC图
X.XX	±0.20		File NO.	B050201S			
X.XXX	±0.10		REV.				
SHEET	1/1	Q'TY	1	A			