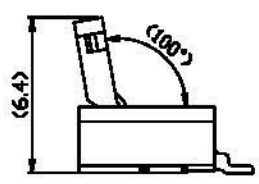
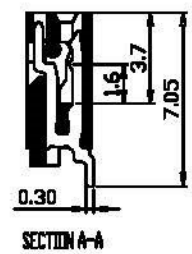
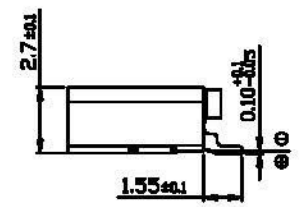
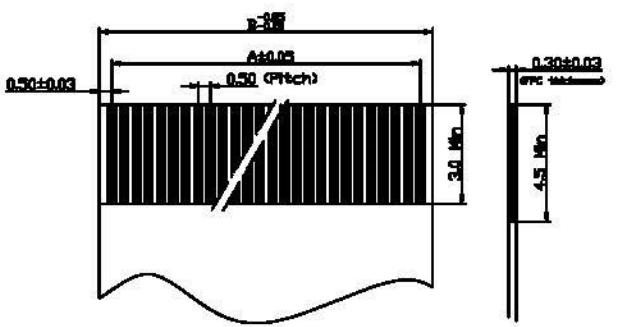
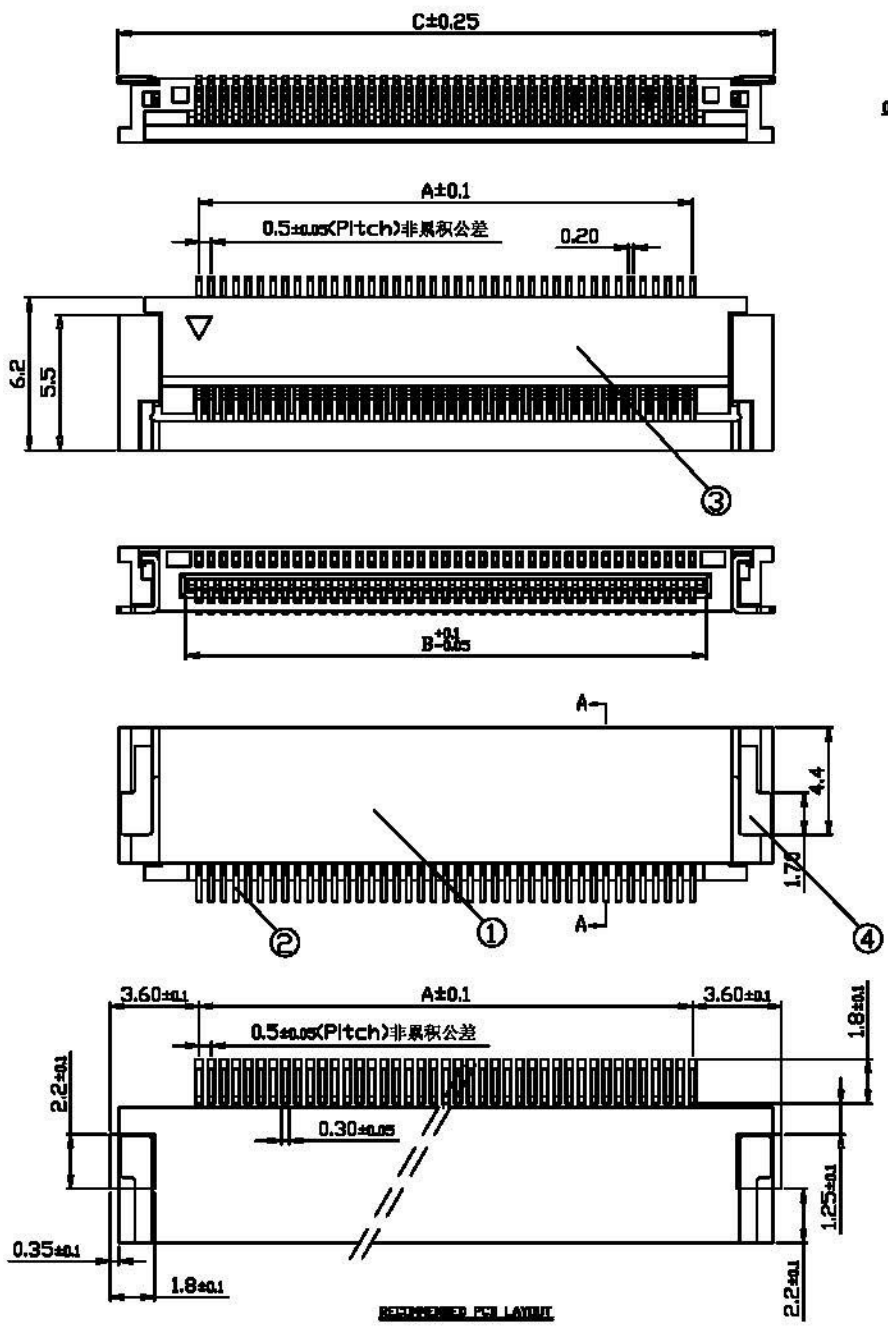


REV.	DATE	ECN NO.	MODIFICATION	APPROVER
A	2008/09/20	/	NEW	Vicky



- SPECIFICATION**
- Rating: 50V AC, DC(等效);
 - Contact resistance: ≤30mΩ;
 - Insulation resistance: ≥500MΩ;
 - Withstand voltage: 500V,AC/minute;
 - Operating temperature: -25℃~+85℃.

PIN NO.	A	B	C	PIN NO.	A	B	C
4	1.5	2.6	8.5	33	16.0	17.1	23.0
5	2.0	3.1	9.0	34	16.5	17.6	23.5
6	2.5	3.6	9.5	35	17.0	18.1	24.0
7	3.0	4.1	10.0	36	17.5	18.6	24.5
8	3.5	4.6	10.5	37	18.0	19.1	25.0
9	4.0	5.1	11.0	38	18.5	19.6	25.5
10	4.5	5.6	11.5	39	19.0	20.1	26.0
11	5.0	6.1	12.0	40	19.5	20.6	26.5
12	5.5	6.6	12.5	41	20.0	21.1	27.0
13	6.0	7.1	13.0	42	20.5	21.6	27.5
14	6.5	7.6	13.5	43	21.0	22.1	28.0
15	7.0	8.1	14.0	44	21.5	22.6	28.5
16	7.5	8.6	14.5	45	22.0	23.1	29.0
17	8.0	9.1	15.0	46	22.5	23.6	29.5
18	8.5	9.6	15.5	47	23.0	24.1	30.0
19	9.0	10.1	16.0	48	23.5	24.6	30.5
20	9.5	10.6	16.5	49	24.0	25.1	31.0
21	10.0	11.1	17.0	50	24.5	25.6	31.5
22	10.5	11.6	17.5	51	25.0	26.1	32.0
23	11.0	12.1	18.0	52	25.5	26.6	32.5
24	11.5	12.6	18.5	53	26.0	27.1	33.0
25	12.0	13.1	19.0	54	26.5	27.6	33.5
26	12.5	13.6	19.5	55	27.0	28.1	34.0
27	13.0	14.1	20.0	56	27.5	28.6	34.5
28	13.5	14.6	20.5	57	28.0	29.1	35.0
29	14.0	15.1	21.0	58	28.5	29.6	35.5
30	14.5	15.6	21.5	60	29.5	30.6	36.5
31	15.0	16.1	22.0	64	31.5	32.6	38.5
32	15.5	16.6	22.5	80	39.5	40.6	46.5

NO.	NAME	MATERIAL	QUA	NOTES
4	Fitting Nail	Phosphor Bronze	2	Plating (tin): overall surface underplated Ni 30U ^μ MIN and plated Sn 80U ^μ MIN
3	Actuator	LCP(UL94V-0)	1	Black/Brown
2	Contact	Phosphor Bronze	2	Plating (tin): overall surface underplated Ni 30U ^μ MIN and plated Sn 80U ^μ MIN
1	Housing	PA46/LCP(UL94V-0)	1	Natural color

GENERAL TOLERANCE		UNITS mm	NAME: FPC				
SELECT	✓		PART NO: FPC050**--18***				
ON-TOL	1 2 3	MAT'L	APPD: Vicky		TITLE: FPC0.5mm XP SMT 前插后拔 H=2.7mm		
<10	±0.30 ±0.08 ±0.15		FINISH	CHKD: Ivy		DWG NO. ATOM-A00112	
10-30	±0.25 ±0.13 ±0.08	Q'TY		DR: Iris		SCALE SHEET REV	
>30	±0.30 ±0.20 ±0.05				1:1 1/1 A		
ANGLE	±5°						