

**NOTE:**

- 1. MATERIAL:
  - HOUSING:LCP(UL 94V-0)
  - ACTUATOR:LCP(UL 94V-0)
  - TERMINAL:PHOSPHOR BRONZE
  - STOPPER:PHOSPHOR BRONZE
- 2. PLATING:
  - TERMINAL:SEE ORDERING INFORMATION
  - STOPPER:TIN OVER NICKEL(LEAD FREE)

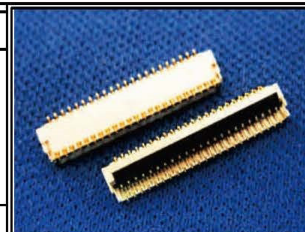
No. of Contacts	DIM. A	DIM. B	DIM. C	DIM. D	DIM. E
09	4.2	1.8	2.4	3.03	3.7
11	4.8	2.4	3.0	3.63	4.3
13	5.4	3.0	3.6	4.23	4.9
15	6.0	3.6	4.2	4.83	5.5
17	6.6	4.2	4.8	5.43	6.1
19	7.2	4.8	5.4	6.03	6.7
21	7.8	5.4	6.0	6.63	7.3
23	8.4	6.0	6.6	7.23	7.9
25	9.0	6.6	7.2	7.83	8.5
27	9.6	7.2	7.8	8.43	9.1
29	10.2	7.8	8.4	9.03	9.7
31	10.8	8.4	9.0	9.63	10.3
33	11.4	9.0	9.6	10.23	10.9
35	12.0	9.6	10.2	10.83	11.5
37	12.6	10.2	10.8	11.43	12.1
39	13.2	10.8	11.4	12.03	12.7
41	13.8	11.4	12.0	12.63	13.3
45	15.0	12.6	13.2	13.83	14.5
49	16.2	13.8	14.4	15.03	15.7
51	16.8	14.4	15.0	15.63	16.3
57	18.6	16.2	16.8	17.43	18.1
61	19.8	17.4	18.0	18.63	19.3
67	21.6	19.2	19.8	20.43	21.1
71	22.8	20.4	21.0	21.63	22.3

**RoHS Compliant**

**All Connectors**

www.allconnectors.de info@allconnectors.de  
 Tel.: 0049 711 7009503 Fax: 0049 711 7009504  
 70794 Filderstadt - Germany Kettnerstr. 25

DRAWING BY CY		TOLERANCES ARE X ± X ± 0.20 .XX ± 0.10 .XXX ± ANG ± 1°
CHECKED BY GENIUS		
UNIT/ mm	SCALE 1 : 1	
DATE		
SIZE A4	PJECTION	



**ORDER INFORMATION**

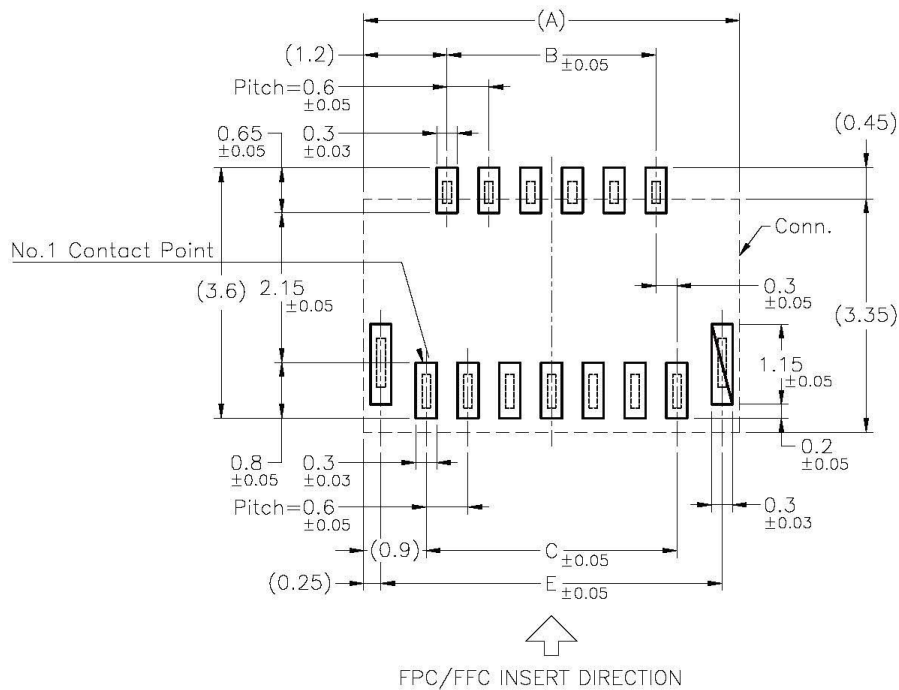
FPT-WHB10-xx-LF

SERIES: 90°SMT, HINGED ZIF

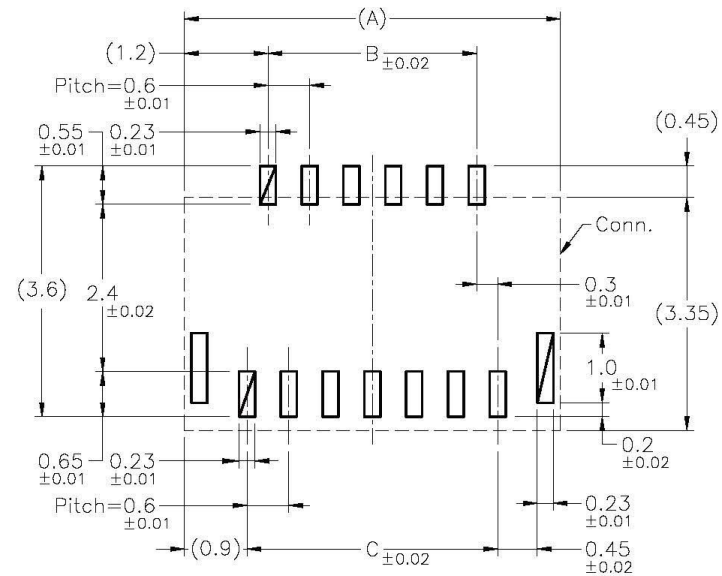
09~71WAY LEADFREE

HIGH 1.0mm BOTTOM CONTACT

**DESCRIPTION:** 0.3mm Pitch FPC Conn. E/O (H=1.0)



PCB Layout



Recommended metal mask pattern

No.of Contacts	DIM. A	DIM. B	DIM. C	DIM. D	DIM. E
09	4.2	1.8	2.4	3.03	3.7
11	4.8	2.4	3.0	3.63	4.3
13	5.4	3.0	3.6	4.23	4.9
15	6.0	3.6	4.2	4.83	5.5
17	6.6	4.2	4.8	5.43	6.1
19	7.2	4.8	5.4	6.03	6.7
21	7.8	5.4	6.0	6.63	7.3
23	8.4	6.0	6.6	7.23	7.9
25	9.0	6.6	7.2	7.83	8.5
27	9.6	7.2	7.8	8.43	9.1
29	10.2	7.8	8.4	9.03	9.7
31	10.8	8.4	9.0	9.63	10.3
33	11.4	9.0	9.6	10.23	10.9
35	12.0	9.6	10.2	10.83	11.5
37	12.6	10.2	10.8	11.43	12.1
39	13.2	10.8	11.4	12.03	12.7
41	13.8	11.4	12.0	12.63	13.3
45	15.0	12.6	13.2	13.83	14.5
49	16.2	13.8	14.4	15.03	15.7
51	16.8	14.4	15.0	15.63	16.3
57	18.6	16.2	16.8	17.43	18.1
61	19.8	17.4	18.0	18.63	19.3
67	21.6	19.2	19.8	20.43	21.1
71	22.8	20.4	21.0	21.63	22.3

**All Connectors**

www.allconnectors.de info@allconnectors.de  
Tel.: 0049 711 7009503 Fax: 0049 711 7009504  
70794 Filderstadt - Germany Kettenmerstr. 25

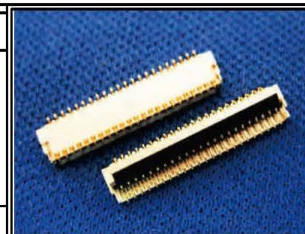
**RoHS Compliant**

DRAWING BY CY  
CHECKED BY GENIUS  
UNIT/ mm SCALE 1:1  
DATE  
SIZE A4

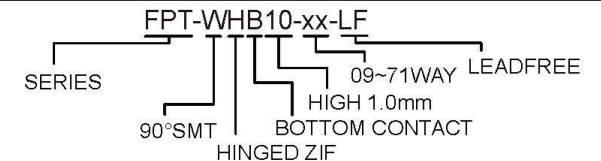
TOLERANCES ARE

X ±  
X ± 0.30  
.XX ± 0.10  
.XXX ±  
ANG ±

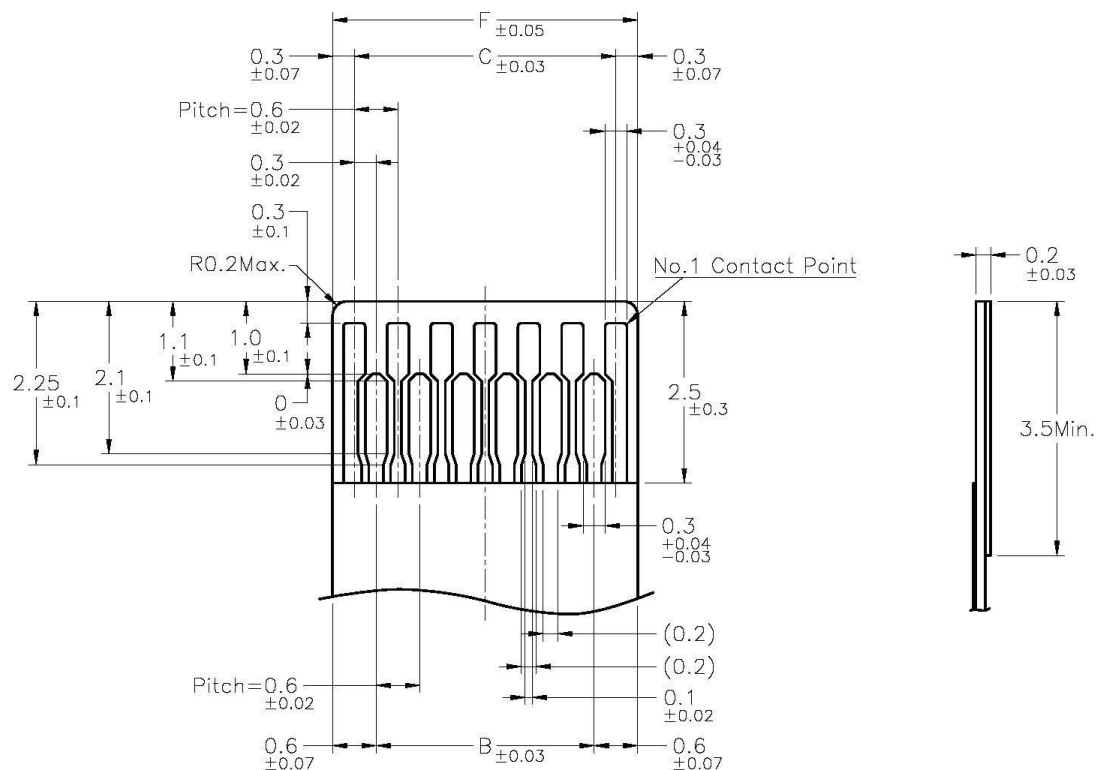
PJECTION



**ORDER INFORMATION**



DESCRIPTION:



Applicable FPC

No. of Contacts	DIM. A	DIM. B	DIM. C	DIM. D	DIM. E
09	4.2	1.8	2.4	3.03	3.7
11	4.8	2.4	3.0	3.63	4.3
13	5.4	3.0	3.6	4.23	4.9
15	6.0	3.6	4.2	4.83	5.5
17	6.6	4.2	4.8	5.43	6.1
19	7.2	4.8	5.4	6.03	6.7
21	7.8	5.4	6.0	6.63	7.3
23	8.4	6.0	6.6	7.23	7.9
25	9.0	6.6	7.2	7.83	8.5
27	9.6	7.2	7.8	8.43	9.1
29	10.2	7.8	8.4	9.03	9.7
31	10.8	8.4	9.0	9.63	10.3
33	11.4	9.0	9.6	10.23	10.9
35	12.0	9.6	10.2	10.83	11.5
37	12.6	10.2	10.8	11.43	12.1
39	13.2	10.8	11.4	12.03	12.7
41	13.8	11.4	12.0	12.63	13.3
45	15.0	12.6	13.2	13.83	14.5
49	16.2	13.8	14.4	15.03	15.7
51	16.8	14.4	15.0	15.63	16.3
57	18.6	16.2	16.8	17.43	18.1
61	19.8	17.4	18.0	18.63	19.3
67	21.6	19.2	19.8	20.43	21.1
71	22.8	20.4	21.0	21.63	22.3

		<b>RoHS Compliant</b>		<b>TOLERANCES ARE</b>			<b>ORDER INFORMATION</b>	
		DRAWING BY CY	CHECKED BY GENIUS	X ± X ± 0.20 .XX ± 0.10 .XXX ± ANG ±	SERIES FPT-WHB10-xx-LF 90°SMT HINGED ZIF		09~71WAY LEADFREE HIGH 1.0mm BOTTOM CONTACT	
www.allconnectors.de Tel.: 0049 711 7009503 70794 Filderstadt - Germany	info@allconnectors.de Fax: 0049 711 7009504 Kettenerstr. 25	UNIT/ mm SCALE 1:1	DATE	SIZE A4	PROJECTION	<b>DESCRIPTION:</b>		